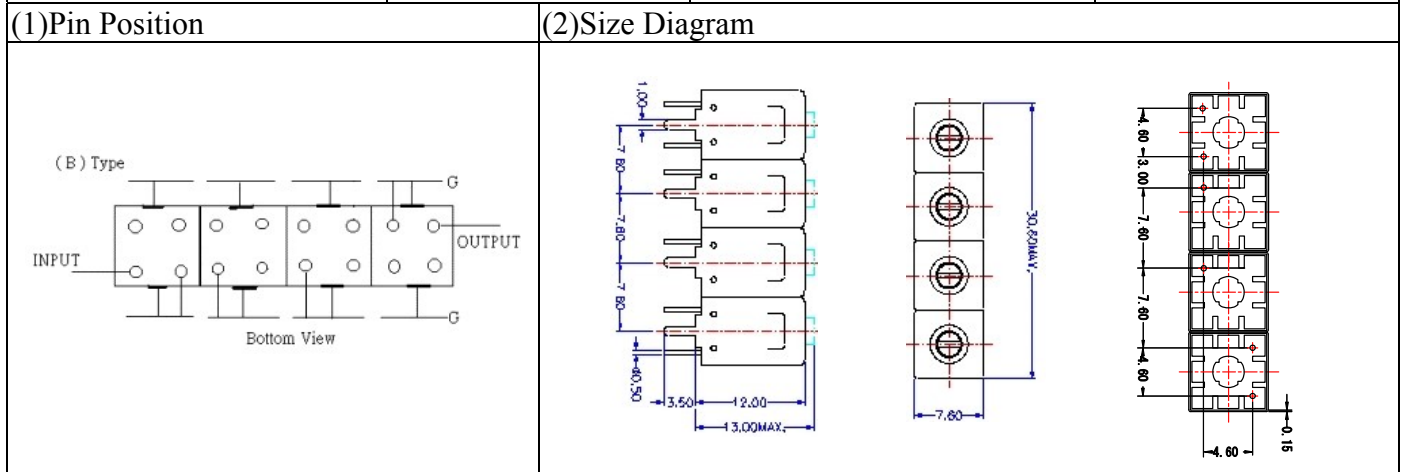


VHF UHF Helical Filter Specification Sheet

Customer Name		Temwell's Part No.	TF64741B-470M
Approval No. /dated	201712065CD	Temwell's Print Name	64741B 470M
Work Instruction No.	201712065CD	Date	Dec.28.2017



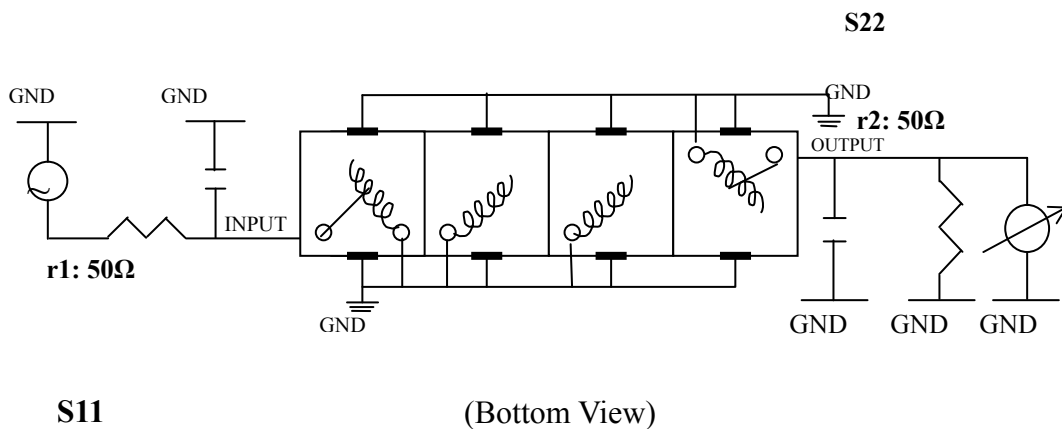
Item		Specify	Performance
Center Freq.(Fo) +/- 0.5 %		470 MHz	470 MHz
Insertion Loss		Typ. 1.5 dB	0.63 dB
-1 dB Bandwidth		Typ. 100 MHz	110.9 MHz
Sensitivity (Attenuation)	Fo - 150 MHz	Typ. 50 dBc	55 dBc
	Fo +150 MHz	Typ. 25 dBc	29 dBc
	Fo - ()MHz	Typ. dBc	dBc
	Fo +()MHz	Typ. dBc	dBc
Return Loss		Min. 12 dB	21.4 dB
Ripple		< 1 dB	dB
Impedance		In / Out : 50 Ω	In / Out : 50 Ω

(4) Torque for Tuning Screw > 60gf · cm

(5) Temperature Condition:	
Operating Temperature	0°C ~ +60°C
Storage Temperature	-20°C ~ +70°C

(6) Input Power > 1Watt

(7) Measuring Circuit: ※Easy to match Impedance S11/S22 50Ω by parallel with about(- -).



Approval	Supervisor	Designer	Aperture size
C.Y.Chang	C.K.Chang	P.H.Chiang	7H4S(4*7.35)(7.39) 7H046LB6.6

TEMWELL CORPORATION

Performance-TF64741B-470M

201712065CD

