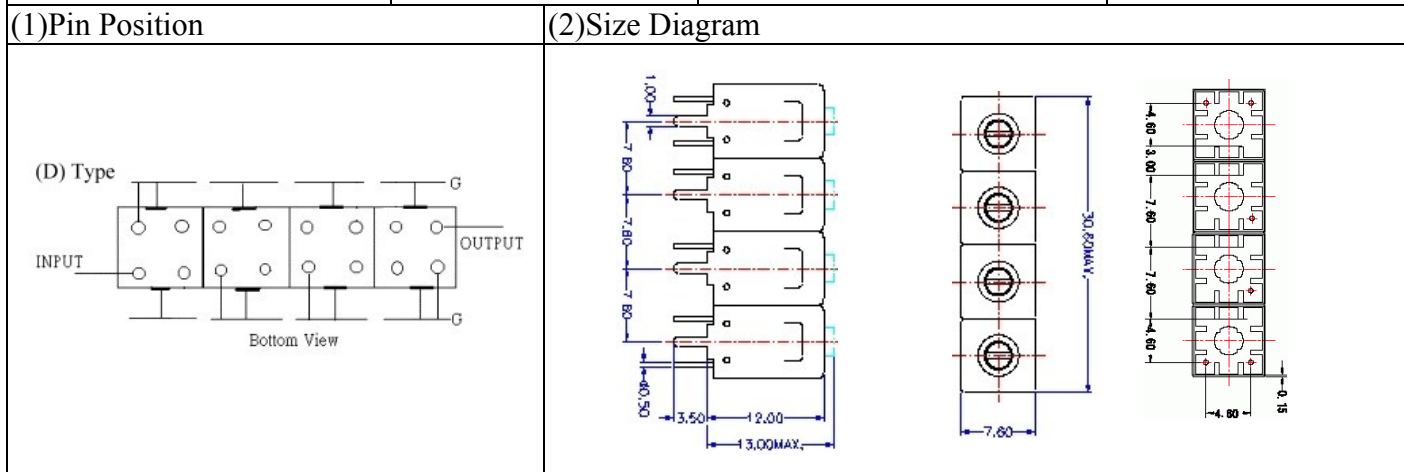
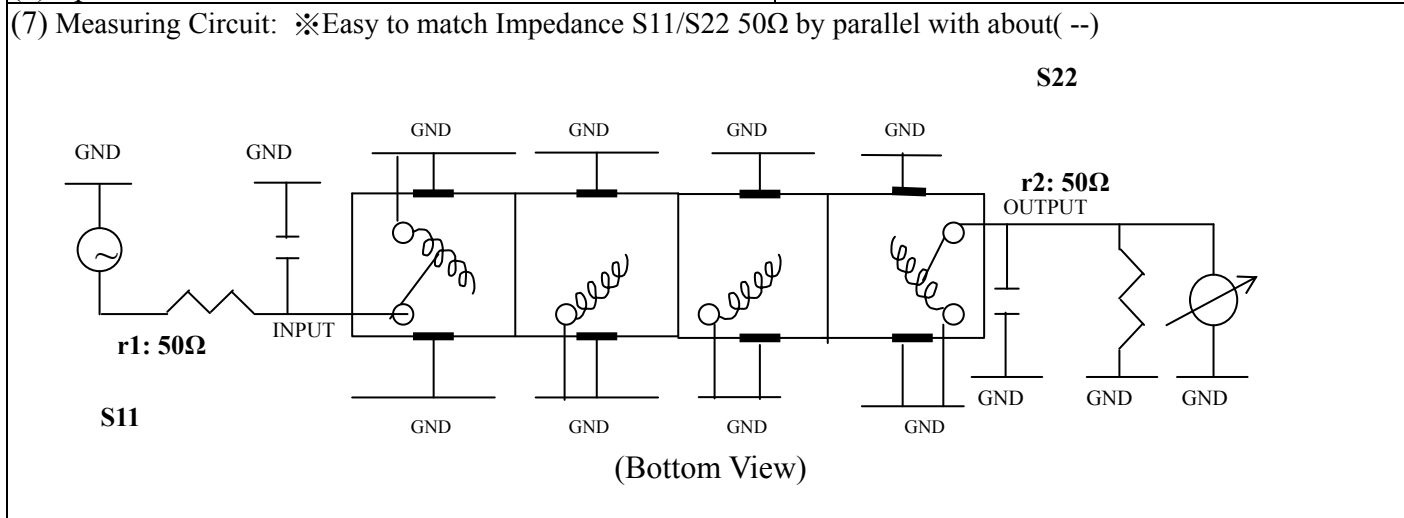


VHF UHF Helical Filter Specification Sheet

Customer Name		Temwell's Part No.	TF64753D-1282.5M
Approval No. /dated	201803030CD	Temwell's Print Name	64753D 1282.5M
Work Instruction No.	201803030CD	Date	Mar.19.2018



(3) Electric Characteristic			
Item		Specify	Performance
Center Freq.(Fo) +/- 0.5 %		1282.5 MHz	1282.5 MHz
Insertion Loss		Typ. 5.0 dB	3.95 dB
-3 dB Bandwidth		Typ. 25 MHz	36.3 MHz
Sensitivity (Attenuation)	Fo - 50 MHz	Typ. 37 dBc	42 dBc
	Fo + 50 MHz	Typ. 31 dBc	36 dBc
	Fo - ()MHz	Typ. dBc	dBc
	Fo + ()MHz	Typ. dBc	dBc
Return Loss		Min. 12 dB	22.2 dB
Ripple		< 1 dB	dB
Impedance		In / Out : 50 Ω	In / Out : 50 Ω
(4) Torque for Tuning Screw		> 60gf · cm	
(5) Temperature Condition:			
Operating Temperature		0°C ~ +60°C	
Storage Temperature		-20°C ~ +70°C	
(6) Input Power		> 1Watt	



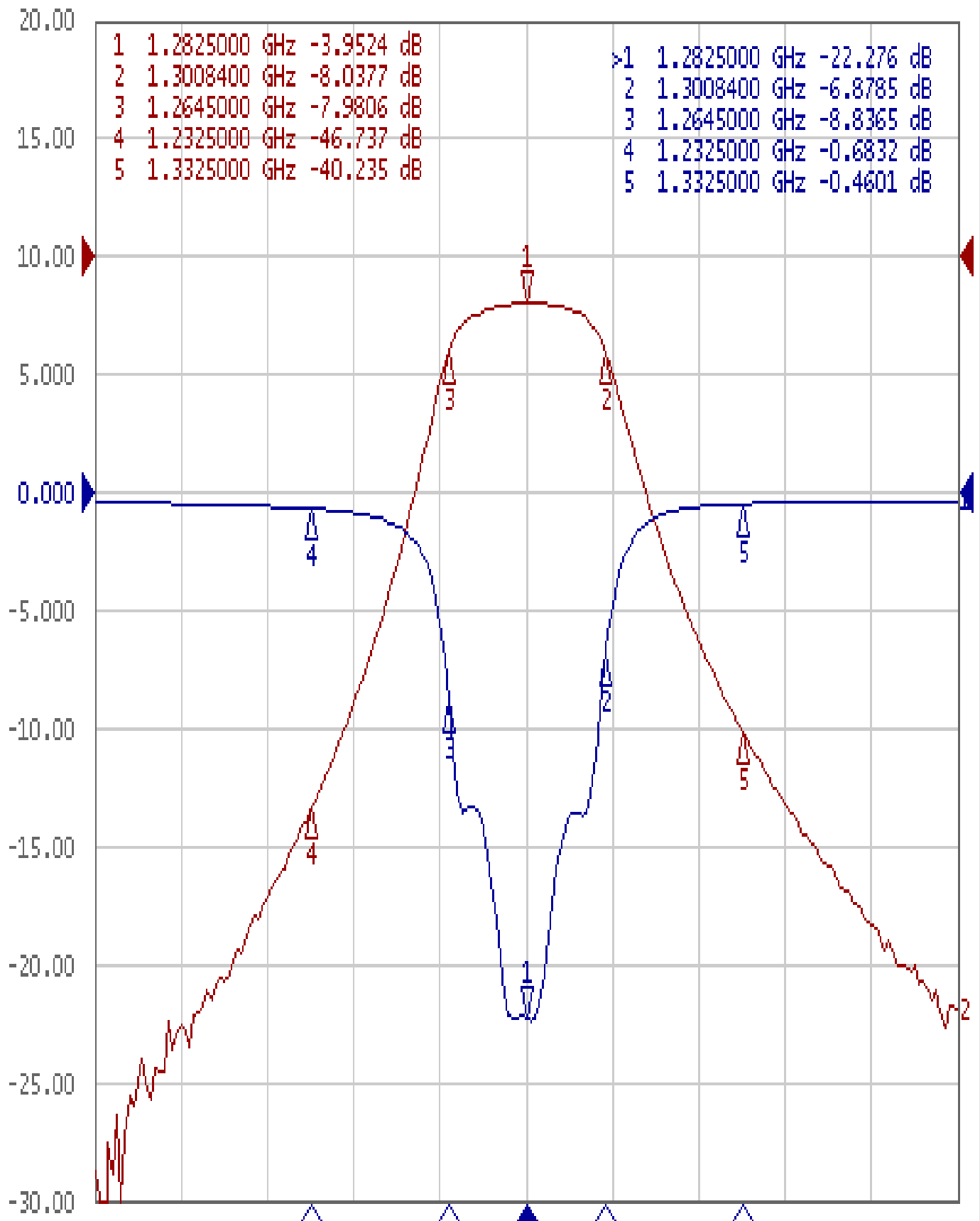
Approval	Supervisor	Designer	Aperture size
C.Y.Chang	C.K.Chang	W.W.Wang	7H4S(4*5.35)(5.37) 7H046RB4(J1)

TEMWELL CORPORATION

Performance-TF64753D-1282.5M

201803030CD

Tr1 S11 Log Mag 5.000dB/ Ref 0.000dB [F2]
Tr2 S21 Log Mag 10.00dB/ Ref 0.000dB [F2]



1 Center 1.2825 GHz

IFBW 70 kHz

Span 200 MHz Cor !