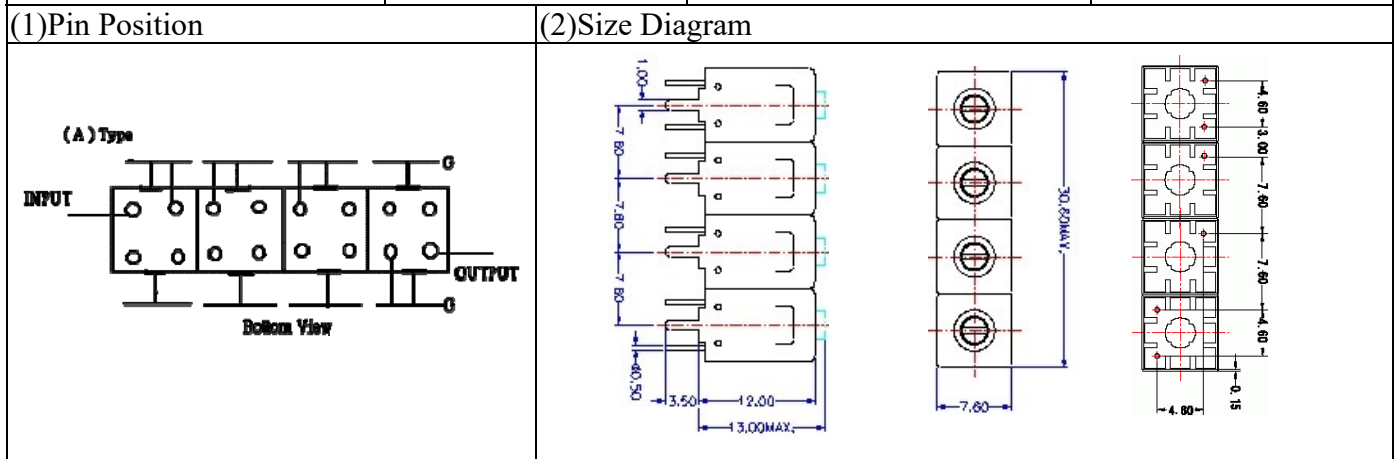


VHF UHF Helical Filter Specification Sheet

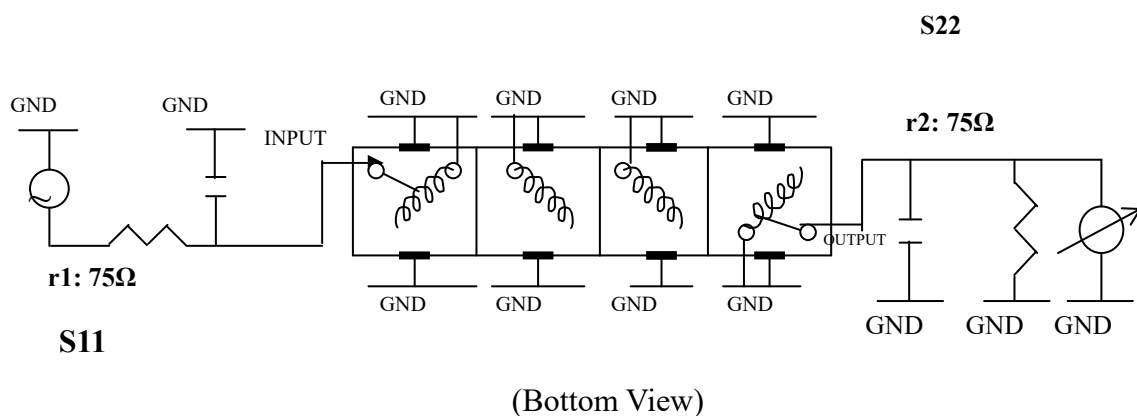
Customer Name		Temwell's Part No.	TF64792A-223.5M
Approval No. /dated	201805038CD	Temwell's Print Name	64792A 223.5M
Work Instruction No.	201805038CD	Date	Feb.26.2019



(3) Electric Characteristic			
Item		Specify	Performance
Center Freq.(Fo) +/- 0.5 %		223.5 MHz	223.5 MHz
Insertion Loss		Typ. 4.5 dB	3.48 dB
-3 dB Bandwidth		Typ. 5 MHz	8.1 MHz
Sensitivity (Attenuation)	Fo - 20 MHz	Typ. 60 dBc	63 dBc
	Fo + 20 MHz	Typ. 48 dBc	51 dBc
	Fo - ()MHz	Typ. dBc	dBc
	Fo +()MHz	Typ. dBc	dBc
Return Loss		Min. 12 dB	23.0 dB
Ripple		< 1 dB	dB
Impedance		In / Out : 50 Ω	In / Out : 50 Ω
(4) Torque for Tuning Screw		> 60gf • cm	

(5) Temperature Condition:	
Operating Temperature	0°C ~ +60°C
Storage Temperature	-20°C ~ +70°C
(6) Input Power	> 1Watt

(7) Measuring Circuit: ※Easy to match Impedance S11/S22 50Ω by parallel with about(- -).



Approval	Supervisor	Designer	Aperture size
C.Y.Chang	C.K.Chang	W.W.Wang	7H4S(4*5.5)(5.54) 7H024RLB4

TEMWELL CORPORATION

Performance-TF64792A-223.5M

201805038CD

