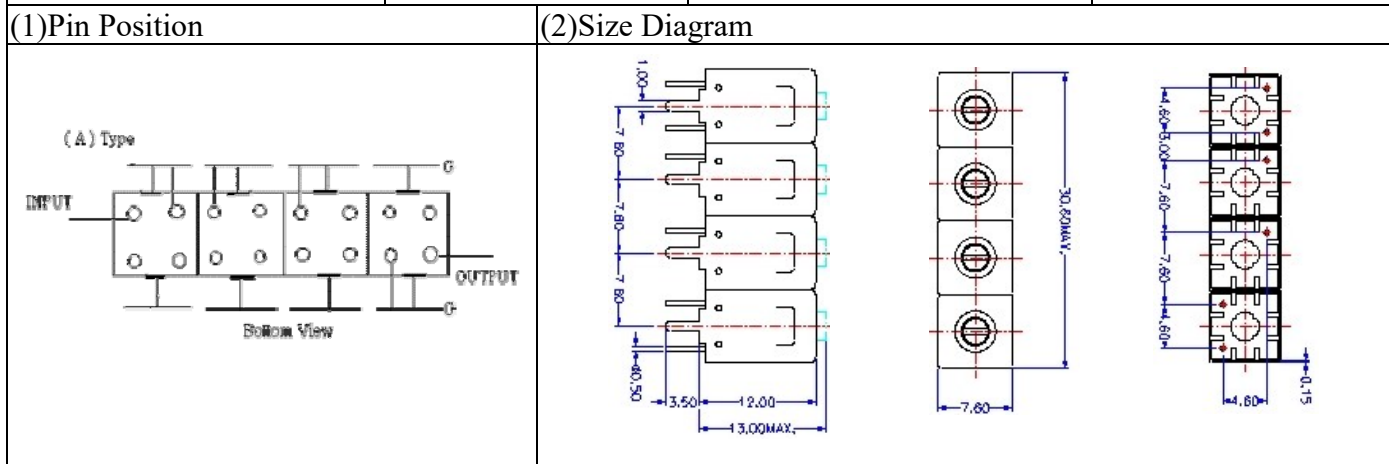


# VHF UHF Helical Filter Specification Sheet

Customer Name		Temwell's Part No.	TF64843A-385M
Approval No. /dated	201812001CD	Temwell's Print Name	64843A 385M
Work Instruction No.	201812001CD	Date	Dec.6.2018



(3) Electric Characteristic

Item	Specify	Performance	
Center Freq.(Fo) +/- 0.5 %	385 MHz	385 MHz	
Insertion Loss	Typ. 4.5 dB	3.67 dB	
-3 dB Bandwidth	Typ. 10 MHz	12.6 MHz	
Sensitivity (Attenuation)	Fo - 50 MHz	Typ. 59 dBc	69 dBc
	Fo + 50 MHz	Typ. 60 dBc	72 dBc
	Fo - ( )MHz	Typ. dBc	dBc
	Fo +( )MHz	Typ. dBc	dBc
Return Loss	Min. 12 dB	22.3 dB	
Ripple	< 1 dB	dB	
Impedance	In / Out : 50 Ω	In / Out : 50 Ω	

(4) Torque for Tuning Screw > 60gf • cm

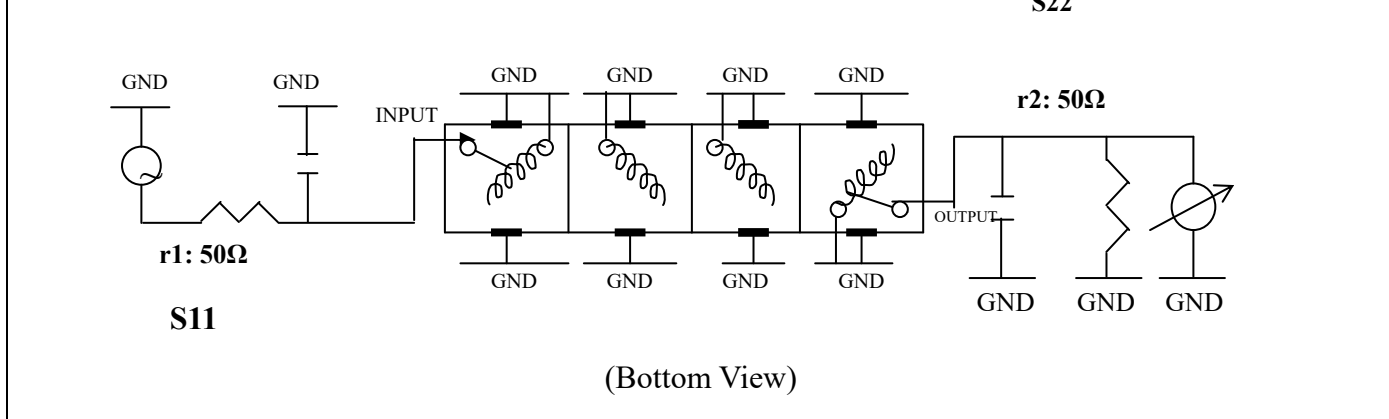
(5) Temperature Condition:

Operating Temperature	0°C ~ +60°C
-----------------------	-------------

Storage Temperature	20°C ~ +70°C
---------------------	--------------

(6) Input Power > 1Watt

(7) Measuring Circuit: ※Easy to match Impedance S11/S22 50Ω/ by parallel with about(--)

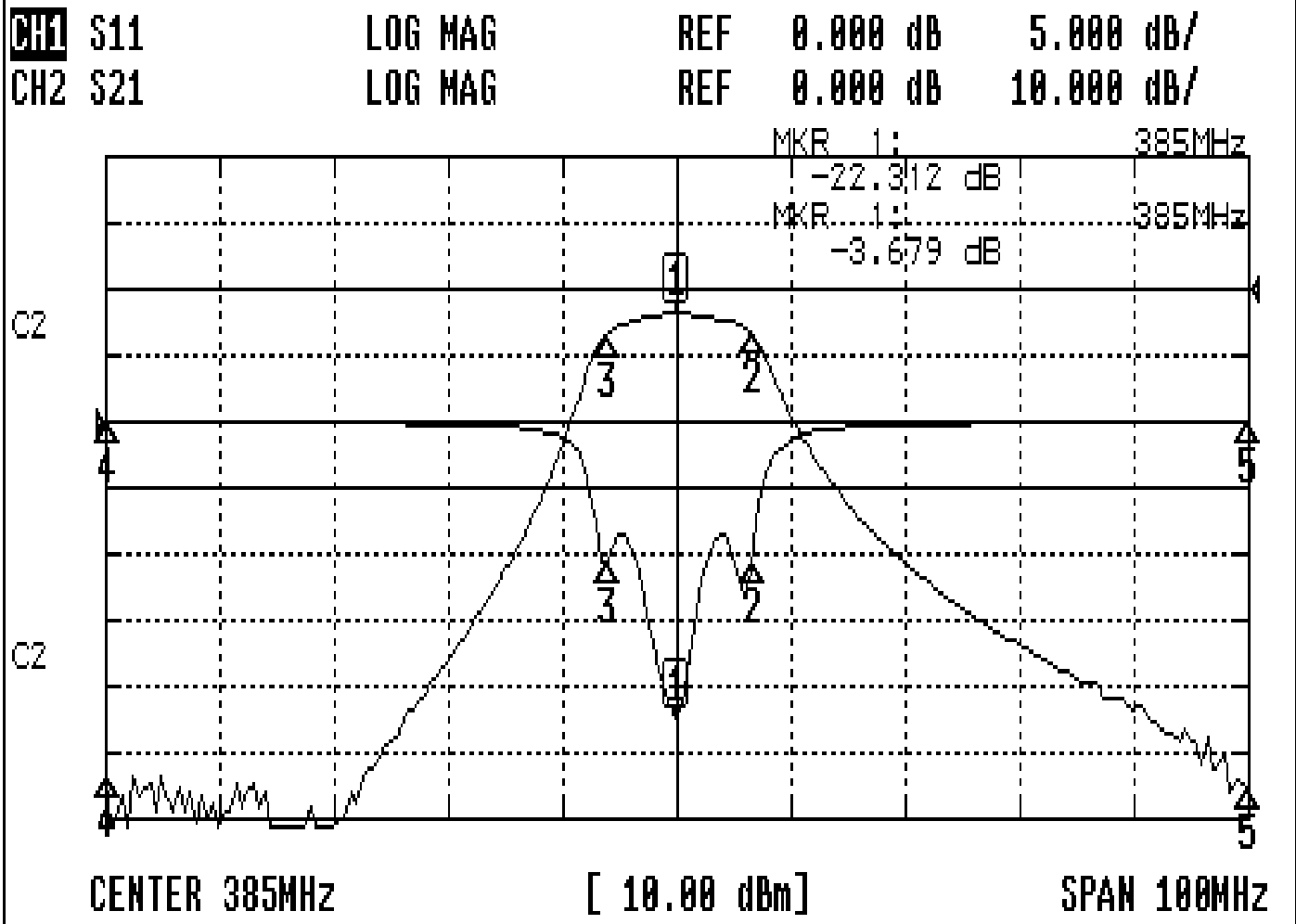


Approval C.Y.Chang	Supervisor C.K.Chang	Designer W.S.Chen	Aperture size 7H4S(4*5.6)(5.65) 7H046LB4.3 聚 3
-----------------------	-------------------------	----------------------	--

TEMWELL CORPORATION

# Performance-TF64843A-385M

## 201812001CD



### CH1 MARKER LIST

1:	385.000MHz	-22.312	dB
2:	391.583MHz	-10.567	dB
3:	378.890MHz	-10.531	dB
4:	335.000MHz	-0.074	dB
5:	435.000MHz	-0.066	dB

### CH2 MARKER LIST

1:	385.000MHz	-3.675	dB
2:	391.583MHz	-6.679	dB
3:	378.890MHz	-6.638	dB
4:	335.000MHz	-73.244	dB
5:	435.000MHz	-76.104	dB