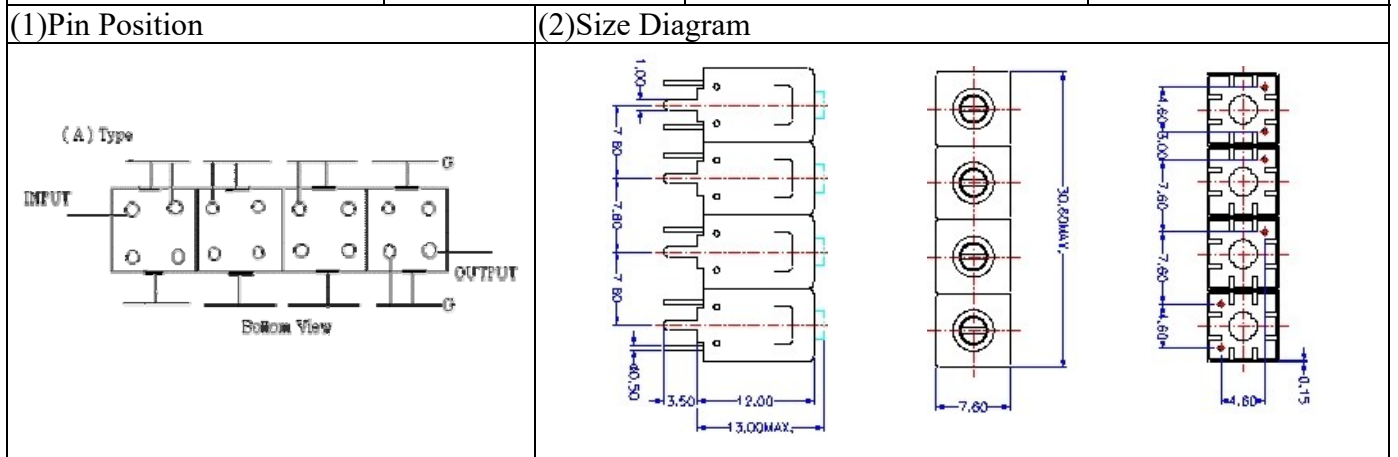


VHF UHF Helical Filter Specification Sheet

Customer Name		Temwell's Part No.	TF64847A-446.5M
Approval No. /dated	201812005CD	Temwell's Print Name	64847A 446.5M
Work Instruction No.	201812005CD	Date	Dec.06.2018



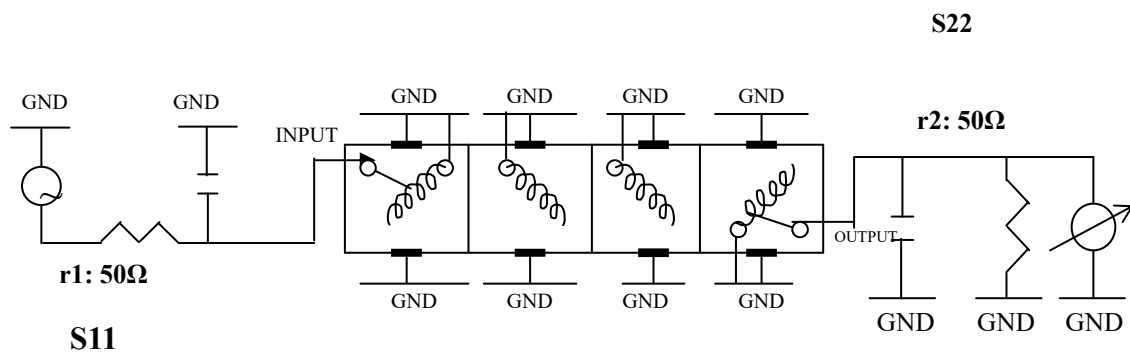
(3) Electric Characteristic		Specify	Performance
Center Freq.(Fo) +/- 0.5 %		446.5 MHz	446.5 MHz
Insertion Loss		Typ. 2.0 dB	1.00 dB
-3 dB Bandwidth		Typ. 73 MHz	75.0 MHz
Sensitivity (Attenuation)	Fo - 150 MHz	Typ. 72 dBc	82 dBc
	Fo + 150 MHz	Typ. 40 dBc	45 dBc
	Fo - ()MHz	Typ. dBc	dBc
	Fo +()MHz	Typ. dBc	dBc
Return Loss		Min. 12 dB	19.2 dB
Ripple		< 1 dB	dB
Impedance		In / Out : 50 Ω	In / Out : 50 Ω

(4) Torque for Tuning Screw > 60gf • cm

(5) Temperature Condition:	
Operating Temperature	0°C ~ +60°C
Storage Temperature	20°C ~ +70°C

(6) Input Power > 1 Watt

(7) Measuring Circuit: ※Easy to match Impedance S11/S22 50Ω/ by parallel with about(--)

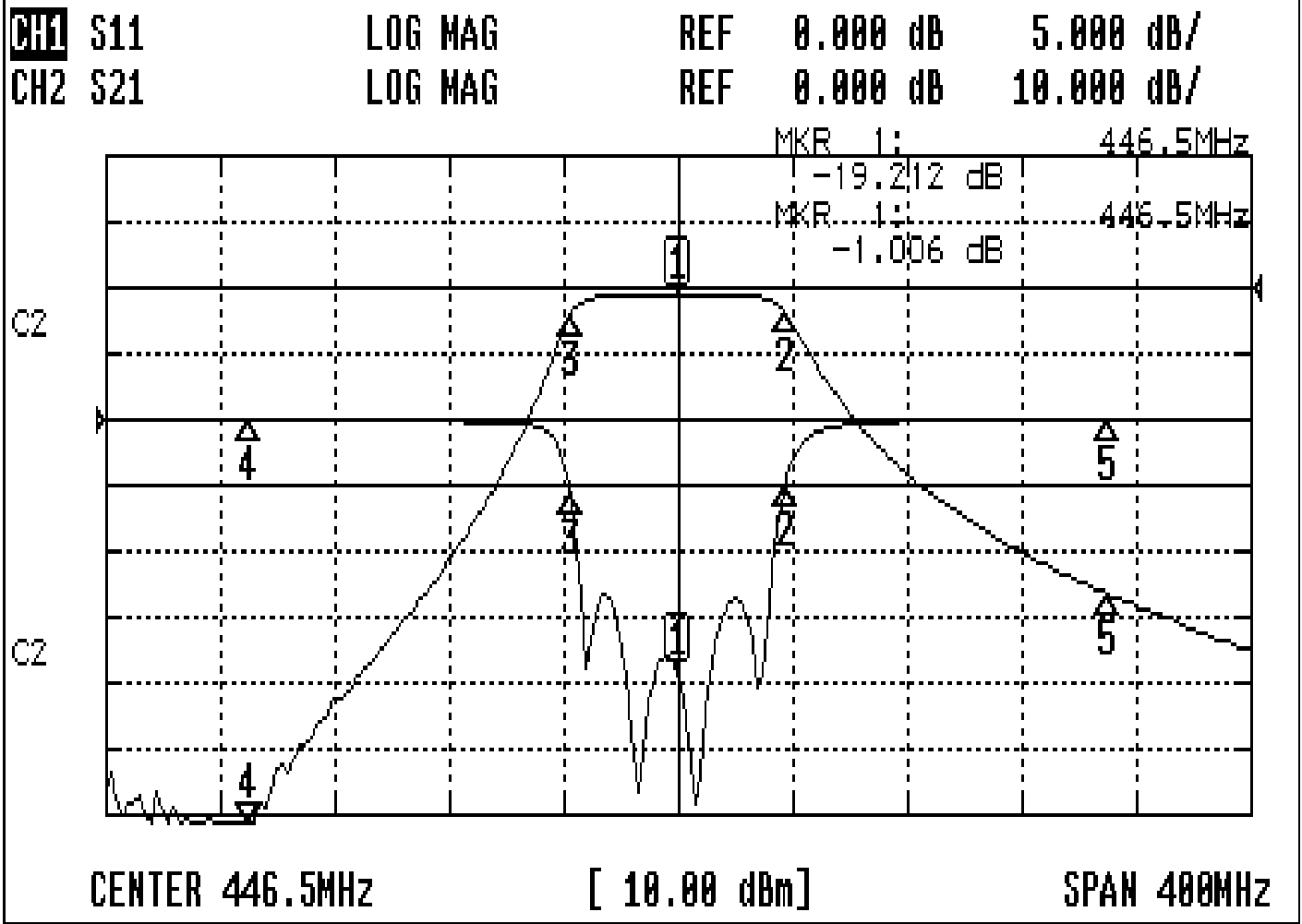


(Bottom View)

Approval	Supervisor	Designer	Aperture size
C.Y.Chang	C.K.Chang	C.H.Yeh	7H4S(4*5.5)(5.57) 7H046LB6.6(J2)
TEMWELL CORPORATION			

Performance-TF64847A-446.5M

201812005CD



CH1 MARKER LIST

1:	446.500MHz	-19.219 dB
2:	484.200MHz	-4.820 dB
3:	409.166MHz	-5.878 dB
4:	296.500MHz	-0.040 dB
5:	596.500MHz	-0.007 dB

CH2 MARKER LIST

1:	446.500MHz	-1.006 dB
2:	484.200MHz	-4.016 dB
3:	409.166MHz	-4.045 dB
4:	296.500MHz	-83.653 dB
5:	596.500MHz	-46.600 dB