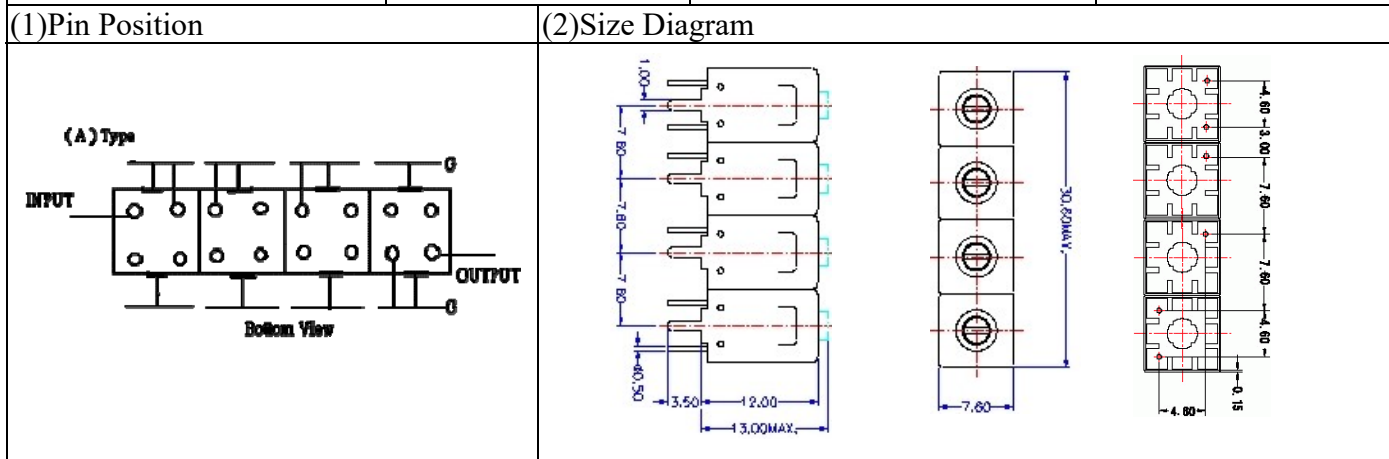
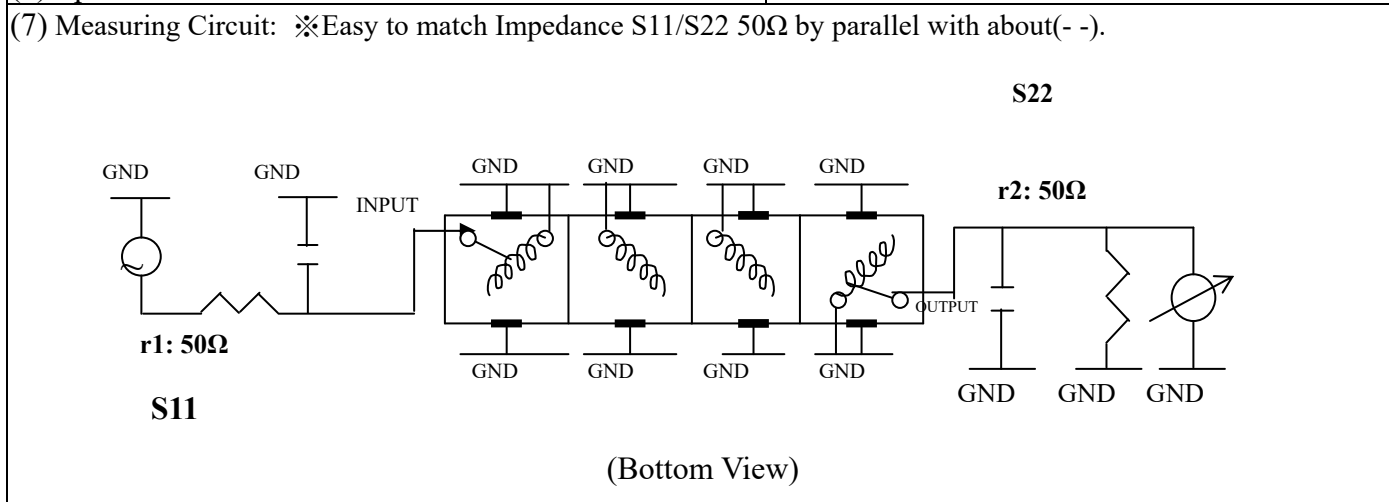


VHF UHF Helical Filter Specification Sheet

Customer Name		Temwell's Part No.	TF64852A-456.5M
Approval No. /dated	201812010CD	Temwell's Print Name	64852A 456.5M
Work Instruction No.	201812010CD	Date	Dec.11.2018



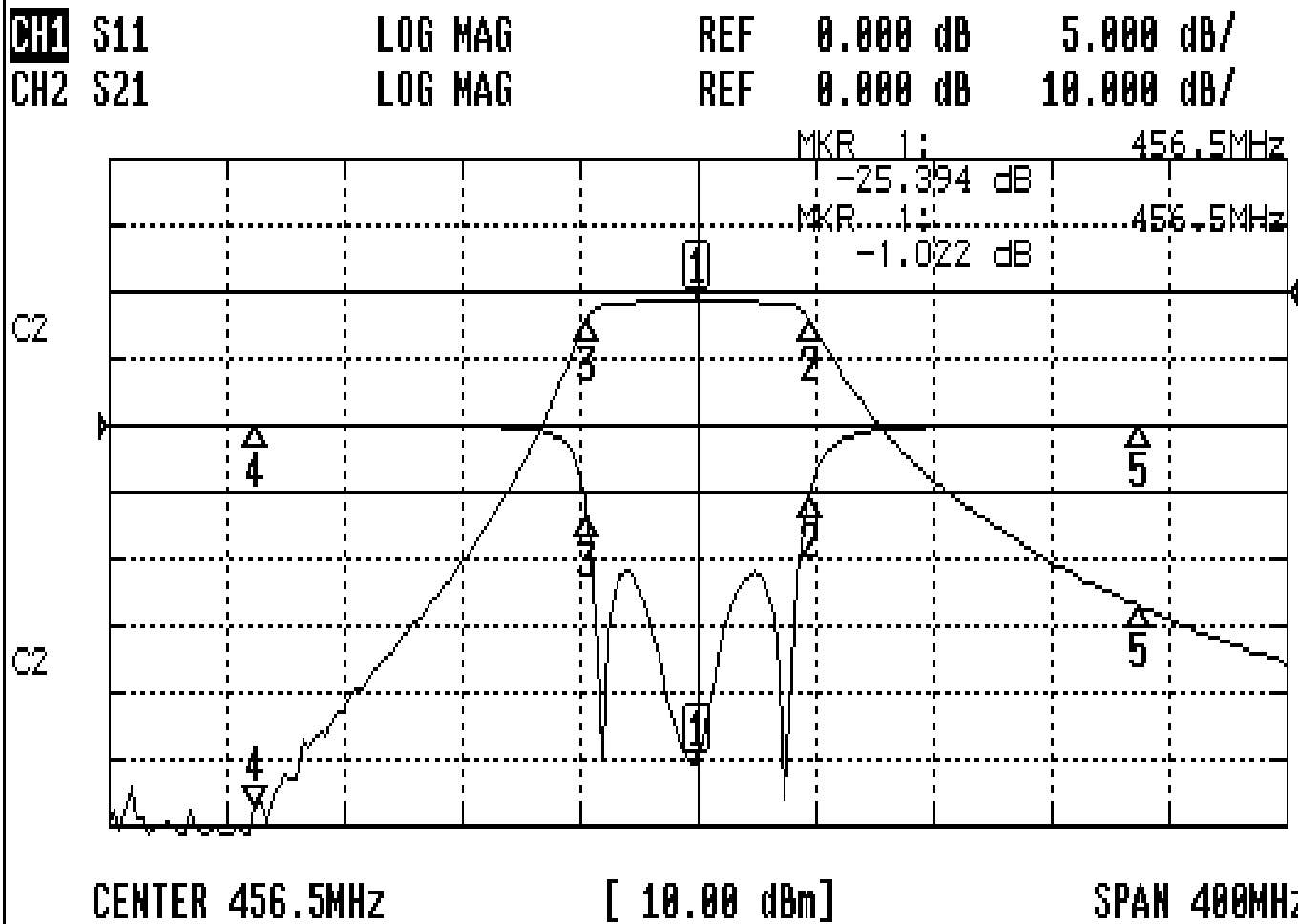
(3) Electric Characteristic			
Item		Specify	Performance
Center Freq.(Fo) +/- 0.5 %		456.5 MHz	456.5 MHz
Insertion Loss		Typ. 2.0 dB	1.02 dB
-3 dB Bandwidth		Typ. 73 MHz	75.2 MHz
Sensitivity (Attenuation)	Fo - 150 MHz	Typ. 65 dBc	75 dBc
	Fo + 150 MHz	Typ. 41 dBc	46 dBc
	Fo - ()MHz	Typ. dBc	dBc
	Fo +()MHz	Typ. dBc	dBc
Return Loss		Min. 12 dB	25.3 dB
Ripple		< 1 dB	dB
Impedance		In / Out : 50 Ω	In / Out : 50 Ω
(4) Torque for Tuning Screw		> 60gf · cm	
(5) Temperature Condition:			
Operating Temperature		0°C ~ +60°C	
Storage Temperature		-20°C ~ +70°C	
(6) Input Power		> 1Watt	



Approval	Supervisor	Designer	Aperture size
C.Y.Chang	C.K.Chang	M.Y.Kang	7H4S(4*5.35)(5.38) 7H046LB6.6 (J2)

Performance-TF64852A-456.5M

201812010CD



CH1 MARKER LIST

1	456.500MHz	-25.373	dB
2	494.400MHz	-5.427	dB
3	419.166MHz	-6.811	dB
4	306.500MHz	-0.028	dB
5	606.500MHz	0.035	dB

CH2 MARKER LIST

1	456.500MHz	-1.022	dB
2	494.400MHz	-4.094	dB
3	419.166MHz	-4.048	dB
4	306.500MHz	-76.919	dB
5	606.500MHz	-47.084	dB