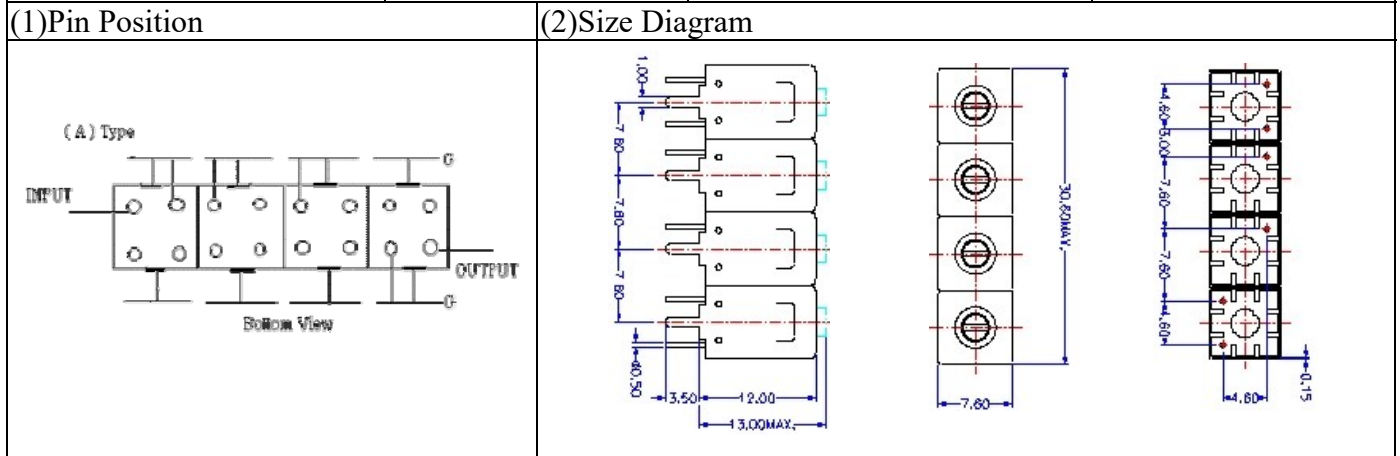
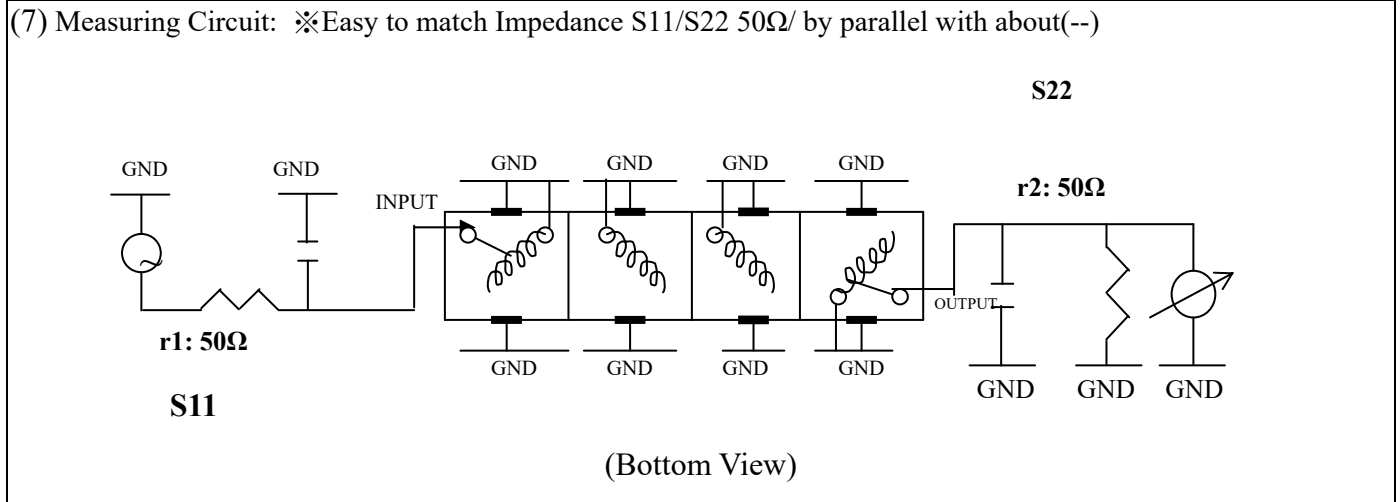


# VHF UHF Helical Filter Specification Sheet

Customer Name		Temwell's Part No.	TF64858A-492.4M
Approval No. /dated	201812016CD	Temwell's Print Name	64858A 492.4M
Work Instruction No.	201812016CD	Date	Dec.07.2018



(3) Electric Characteristic			
Item		Specify	Performance
Center Freq.(Fo) +/- 0.5 %		492.4 MHz	492.4 MHz
Insertion Loss		Typ. 6.0 dB	5.08 dB
-3 dB Bandwidth		Typ. 7 MHz	9.0 MHz
Sensitivity (Attenuation)	Fo - 50 MHz	Typ. 60 dBc	70 dBc
	Fo + 50 MHz	Typ. 62 dBc	72 dBc
	Fo - ( )MHz	Typ. dBc	dBc
	Fo +( )MHz	Typ. dBc	dBc
Return Loss		Min. 12 dB	23.2 dB
Ripple		< 1 dB	dB
Impedance		In / Out : 50 Ω	In / Out : 50 Ω
(4) Torque for Tuning Screw		> 60gf • cm	
(5) Temperature Condition:			
Operating Temperature		0°C ~ +60°C	
Storage Temperature		20°C ~ +70°C	
(6) Input Power		> 1Watt	



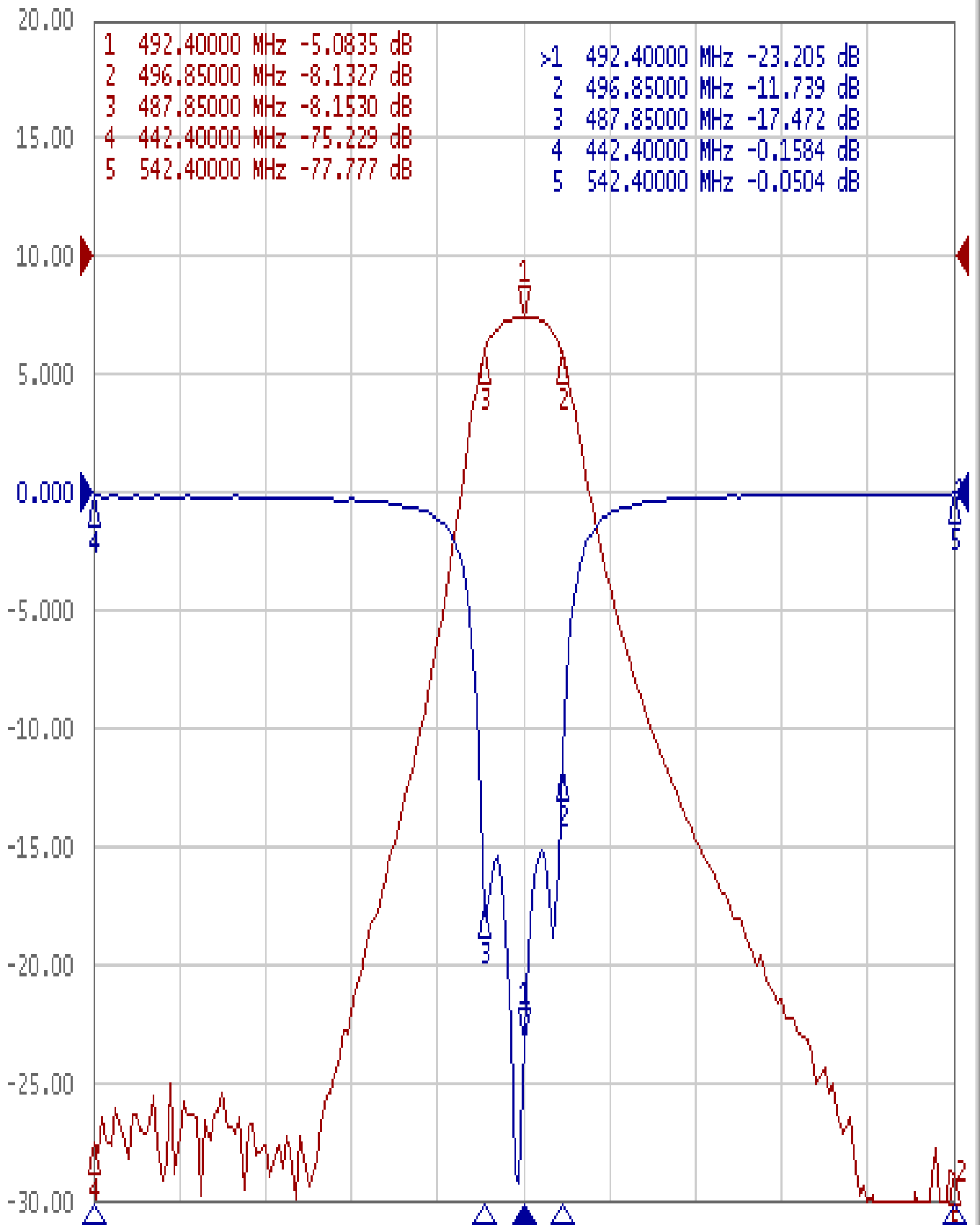
Approval	Supervisor	Designer	Aperture size
C.Y.Chang	C.K.Chang	W.W.Wang	7H4S(4*4.65)(4.68) 7H046LB4.3 聚 3
TEMWELL CORPORATION			

# Performance-TF64858A-492.4M

## 201812016CD

▶ Tr1 S11 Log Mag 5.000dB/ Ref 0.000dB [F2]

Tr2 S21 Log Mag 10.00dB/ Ref 0.000dB [F2]



1 Center 492.4 MHz

IFBW 70 kHz

Span 100 MHz Cor !