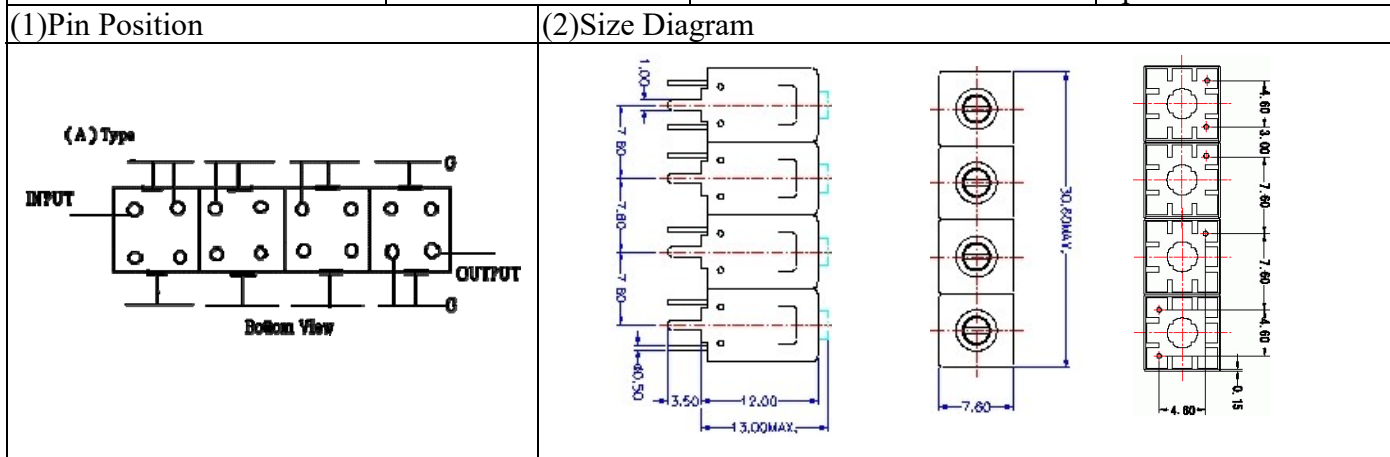


# VHF UHF Helical Filter Specification Sheet

Customer Name		Temwell's Part No.	TF64865A-822.5M
Approval No. /dated	201903012CD	Temwell's Print Name	64865A 822.5M
Work Instruction No.	201903012CD	Date	Apr.12.2019



(3) Electric Characteristic			
Item		Specify	Performance
Center Freq.(Fo) +/- 0.5 %		822.5 MHz	822.5 MHz
Insertion Loss		Typ. 5.5 dB	4.79 dB
-3 dB Bandwidth		Typ. 15 MHz	16.4 MHz
Sensitivity (Attenuation)	Fo - 50 MHz	Typ. 59 dBc	69 dBc
	Fo + 50 MHz	Typ. 52 dBc	62 dBc
	Fo - ( )MHz	Typ. dBc	dBc
	Fo +( )MHz	Typ. dBc	dBc
Return Loss		Min. 12 dB	22.3 dB
Ripple		< 1 dB	dB
Impedance		In / Out : 50 Ω	In / Out : 50 Ω

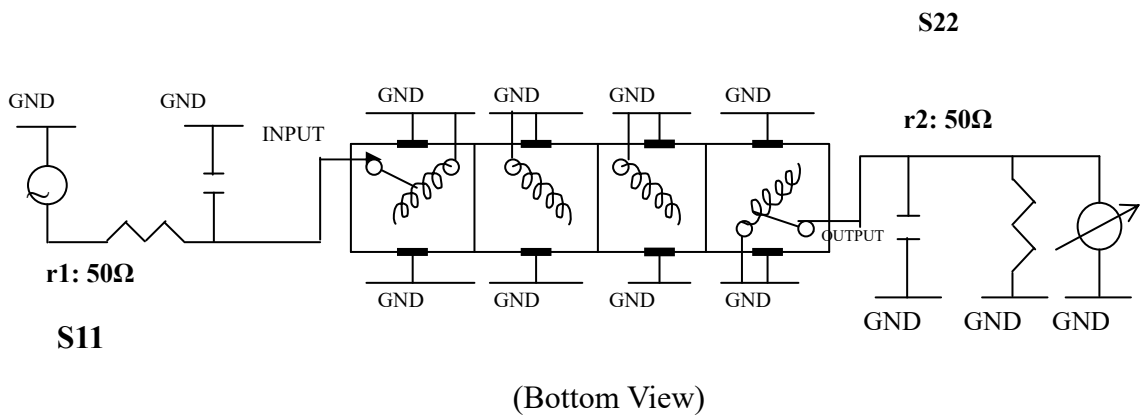
(4) Torque for Tuning Screw > 60gf · cm

(5) Temperature Condition:

Operating Temperature	0°C ~ +60°C
Storage Temperature	-20°C ~ +70°C

(6) Input Power > 1Watt

(7) Measuring Circuit: ※Easy to match Impedance S11/S22 50Ω by parallel with about(- -).



Approval	Supervisor	Designer	Aperture size
C.Y.Chang	C.K.Chang	P.H.Chiang	7H4S(4*4.65)(4.67) 7H046LB4.3 聚 3

TEMWELL CORPORATION

# Performance-TF64865A-822.5M

## 201903012CD

