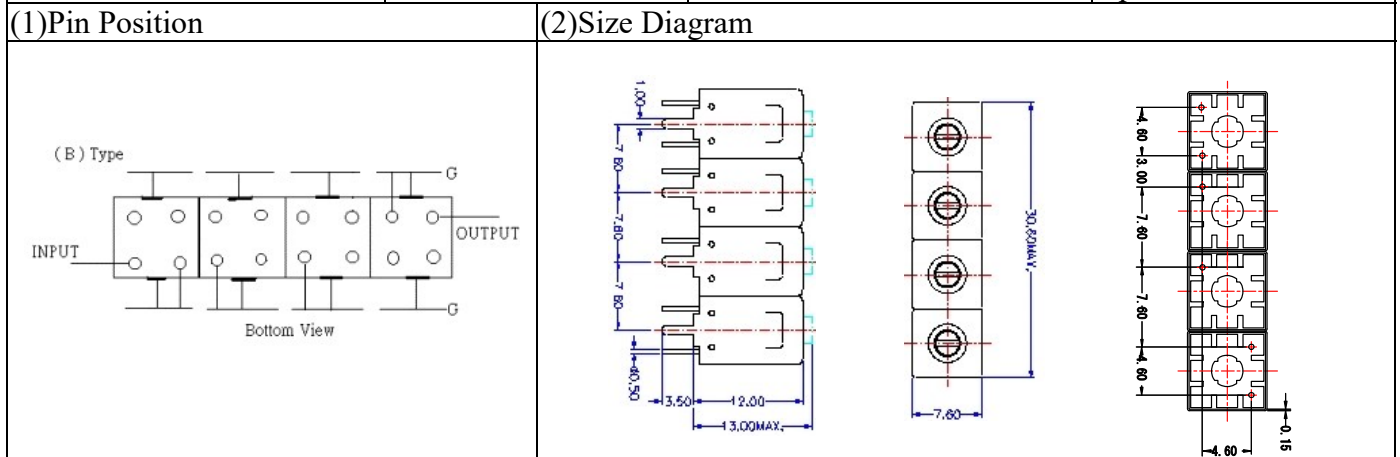


VHF UHF Helical Filter Specification Sheet

Customer Name		Temwell's Part No.	TF64867B-737.5M
Approval No. /dated	201903007CD	Temwell's Print Name	64867B 737.5M
Work Instruction No.	201903007CD	Date	Apr.12.2019



(3) Electric Chararistic

Item	Specify	Performance
Center Freq.(Fo) +/- 0.5 %	737.5 MHz	737.5 MHz
Insertion Loss	Typ. 5.0 dB	3.98 dB
-3 dB Bandwidth	Typ. 17 MHz	18.2 MHz
Sensitivity (Attenuation)	Fo - 50 MHz	Typ. 64 dBc
	Fo + 50 MHz	Typ. 50 dBc
	Fo - ()MHz	Typ. dBc
	Fo +()MHz	Typ. dBc
Return Loss	Min. 12 dB	17.8 dB
Ripple	< 1 dB	dB
Impedance	In / Out : 50 Ω	In / Out : 50 Ω

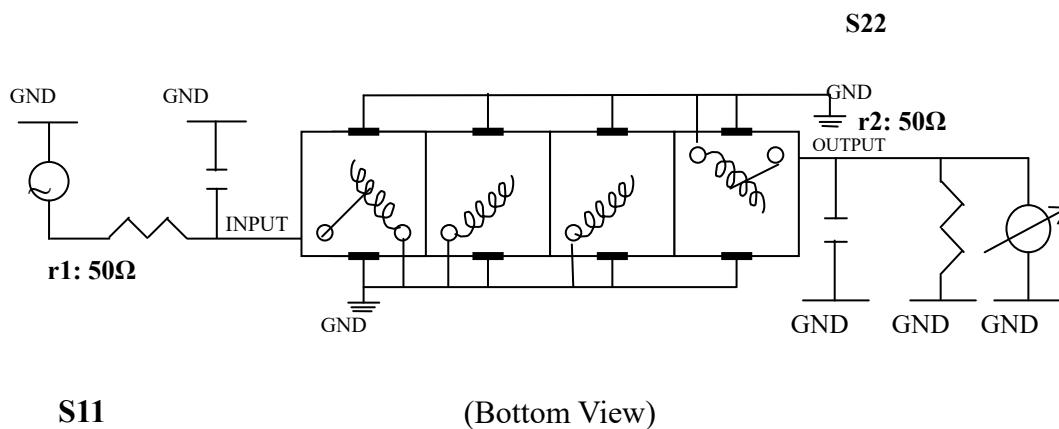
(4) Torque for Tuning Screw > 60gf • cm

(5) Temperature Condition:

Operating Temperature	0°C ~ +60°C
Storage Temperature	-20°C ~ +70°C

(6) Input Power > 1Watt

(7) Measuring Circuit: ※Easy to match Impedance S11/S22 50Ω by parallel with about(- -).



Approval	Supervisor	Designer	Aperture size
C.Y.Chang	C.K.Chang	P.H.Chiang	7H4S(4*5.35)(5.38) 7H046RB4.3 聚 3

TEMWELL CORPORATION

Performance-TF64867B-737.5M

201903007CD

