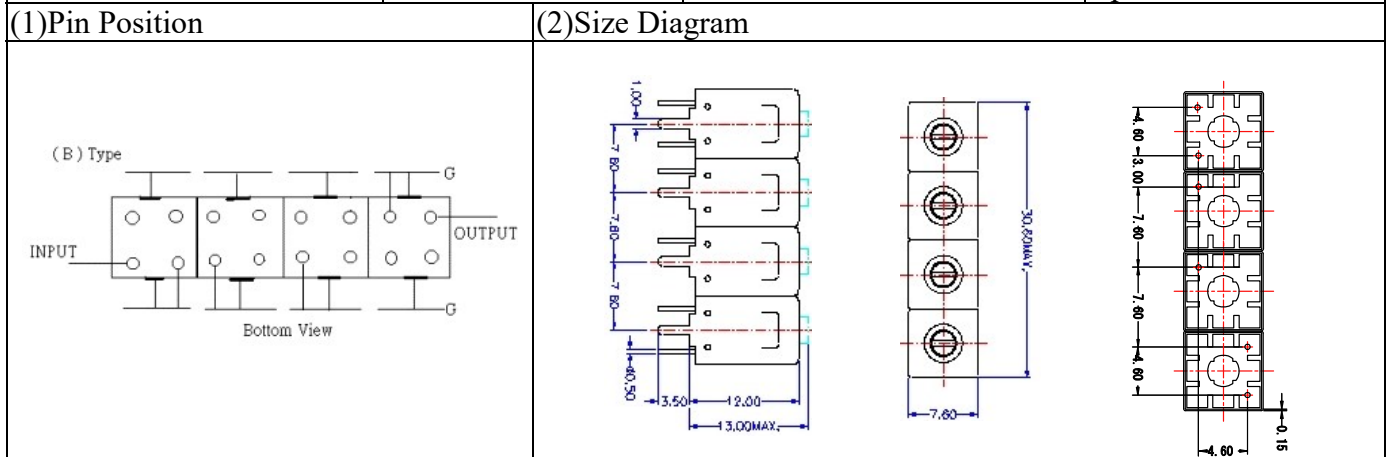


VHF UHF Helical Filter Specification Sheet

Customer Name		Temwell's Part No.	TF64868B-740M
Approval No. /dated	201903008CD	Temwell's Print Name	64868B 740M
Work Instruction No.	201903008CD	Date	Apr.12.2019



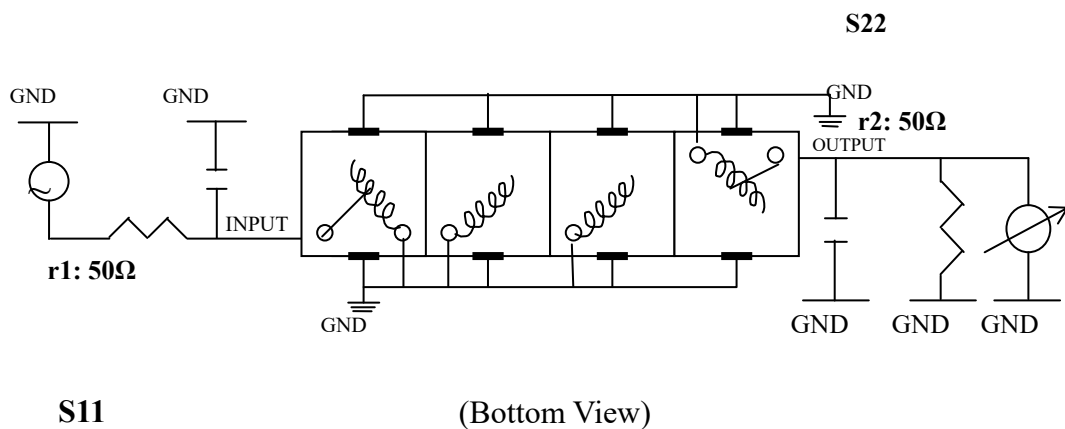
(3) Electric Chararistic		Specify	Performance
Center Freq.(Fo) +/- 0.5 %		740 MHz	740 MHz
Insertion Loss		Typ. 5.5 dB	4.83 dB
-3 dB Bandwidth		Typ. 12 MHz	14.0 MHz
Sensitivity (Attenuation)	Fo - 50 MHz	Typ. 56 dBc	66 dBc
	Fo + 50 MHz	Typ. 63 dBc	68 dBc
	Fo - ()MHz	Typ. dBc	dBc
	Fo +()MHz	Typ. dBc	dBc
Return Loss		Min. 12 dB	27.6 dB
Ripple		< 1 dB	dB
Impedance		In / Out : 50 Ω	In / Out : 50 Ω

(4) Torque for Tuning Screw > 60gf · cm

(5) Temperature Condition:
 Operating Temperature 0°C ~ +60°C
 Storage Temperature -20°C ~ +70°C

(6) Input Power > 1Watt

(7) Measuring Circuit: ※Easy to match Impedance S11/S22 50Ω by parallel with about(- -).



Approval	Supervisor	Designer	Aperture size
C.Y.Chang	C.K.Chang	P.H.Chiang	7H4S(4*4.65)(4.69) 7H046RB4.3 聚 3

TEMWELL CORPORATION

Performance-TF64868B-740M

201903008CD

