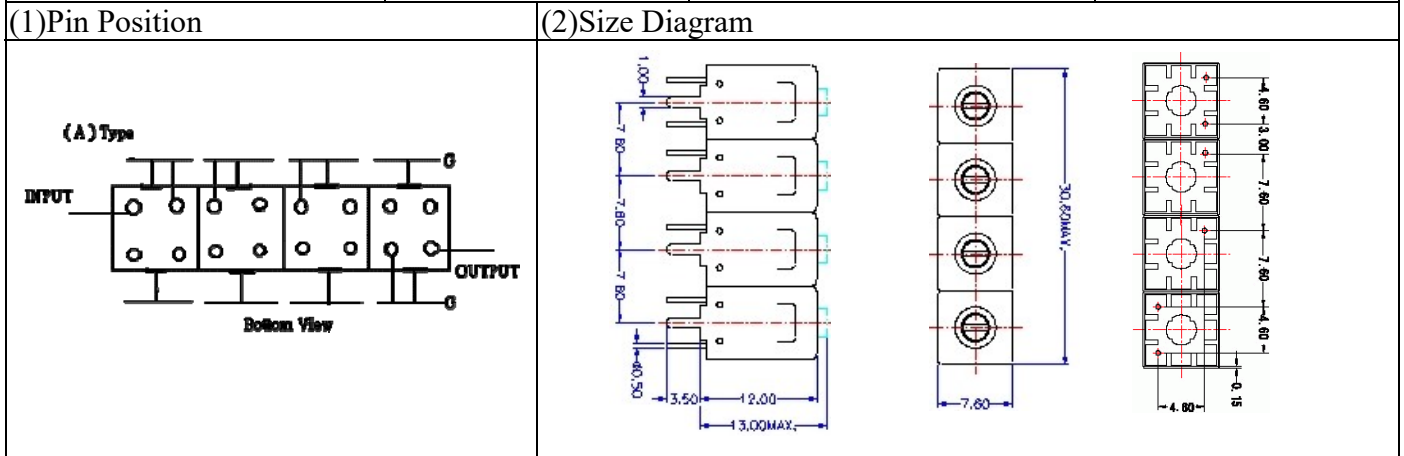


# VHF UHF Helical Filter Specification Sheet

Customer Name		Temwell's Part No.	TF64875A-882.5M
Approval No. /dated	201904033CD	Temwell's Print Name	64875A 882.5M
Work Instruction No.	201904033CD	Date	MAY.06.2019



(3) Electric Characteristic

Item	Specify	Performance	
Center Freq.(Fo) +/- 0.5 %	882.5 MHz	882.5 MHz	
Insertion Loss	Typ. 5.0 dB	4.33 dB	
-3 dB Bandwidth	Typ. 15 MHz	17.1 MHz	
Sensitivity (Attenuation)	Fo - 50 MHz	Typ. 62 dBc	72 dBc
	Fo + 50 MHz	Typ. 50 dBc	55 dBc
	Fo - ( )MHz	Typ. dBc	dBc
	Fo +( )MHz	Typ. dBc	dBc
Return Loss	Min. 12 dB	32.2 dB	
Ripple	< 1 dB	dB	
Impedance	In / Out : 50 Ω	In / Out : 50 Ω	

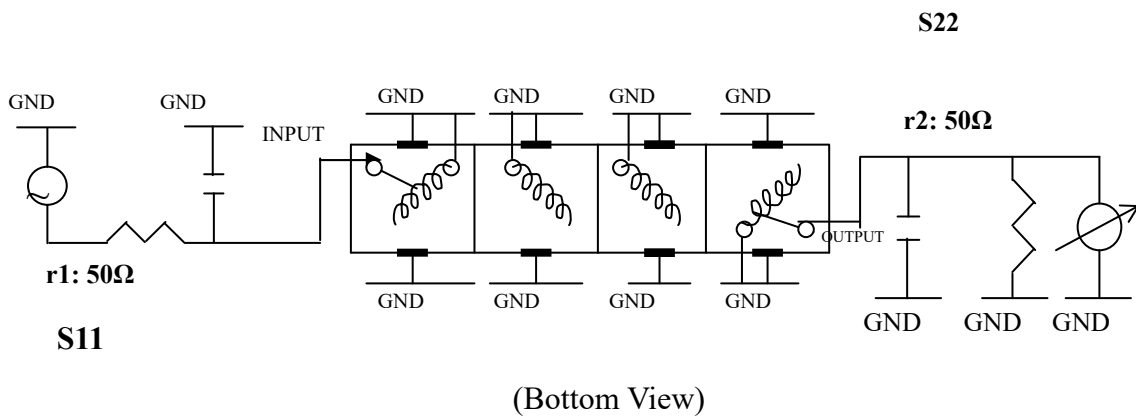
(4) Torque for Tuning Screw > 60gf · cm

(5) Temperature Condition:

Operating Temperature	0°C ~ +60°C
Storage Temperature	-20°C ~ +70°C

(6) Input Power > 1Watt

(7) Measuring Circuit: ※Easy to match Impedance S11/S22 50Ω by parallel with about(- -).



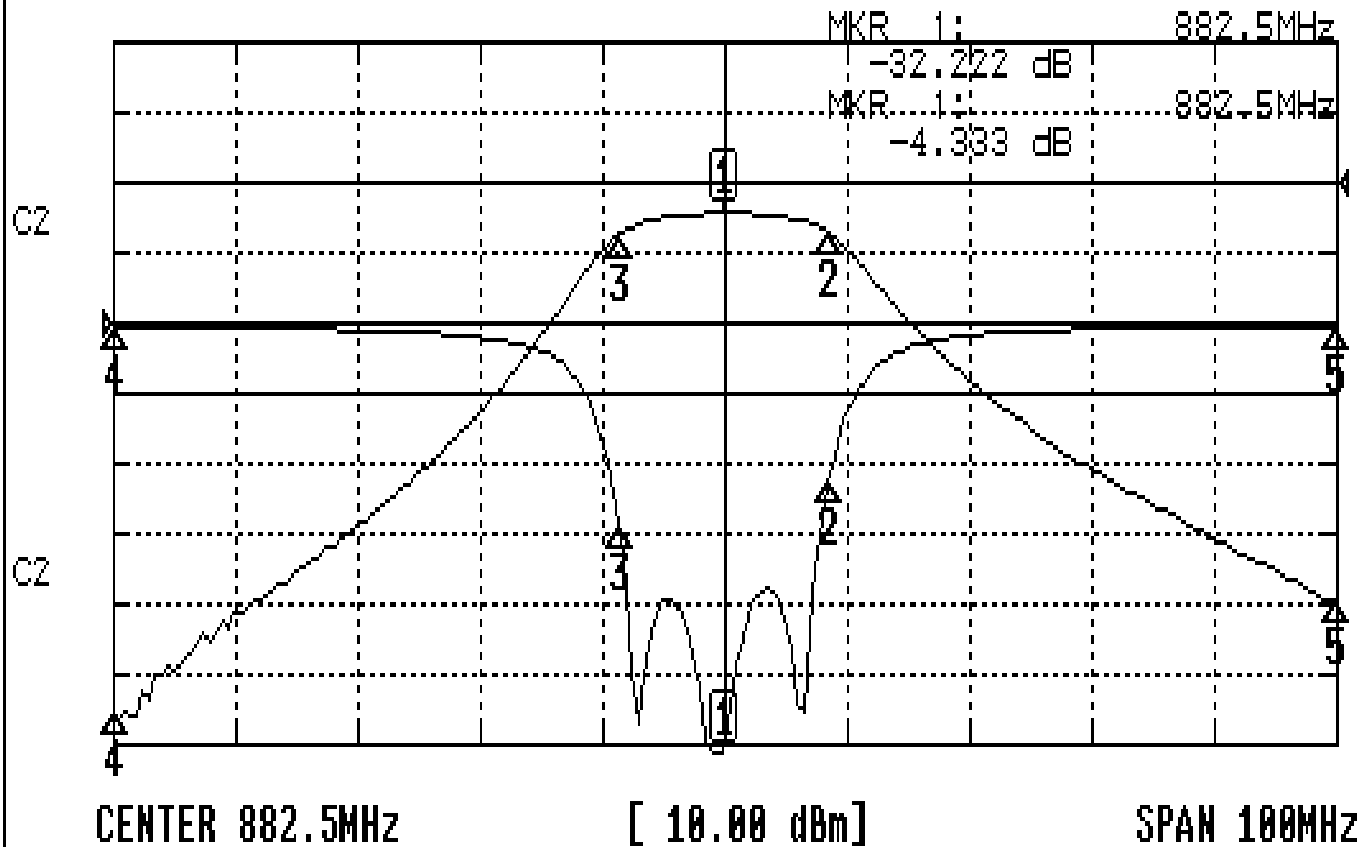
Approval C.Y.Chang	Supervisor C.K.Chang	Designer Z.Y.Wang	Aperture size 7H4S(4*4.65)(4.68) 7H046LB4.3 聚 3
-----------------------	-------------------------	----------------------	---

TEMWELL CORPORATION

# Performance-TF64875A-882.5M

## 201904033CD

CH1 S11 LOG MAG REF 0.000 dB 5.000 dB/  
CH2 S21 LOG MAG REF 0.000 dB 10.000 dB/



### CH1 MARKER LIST

1	882.500MHz	-32.220 dB
2	891.083MHz	-11.064 dB
3	873.916MHz	-14.561 dB
4	832.500MHz	-0.236 dB
5	932.500MHz	-0.195 dB

### CH2 MARKER LIST

1	882.500MHz	-4.333 dB
2	891.083MHz	-7.341 dB
3	873.916MHz	-7.342 dB
4	832.500MHz	-77.180 dB
5	932.500MHz	-59.494 dB