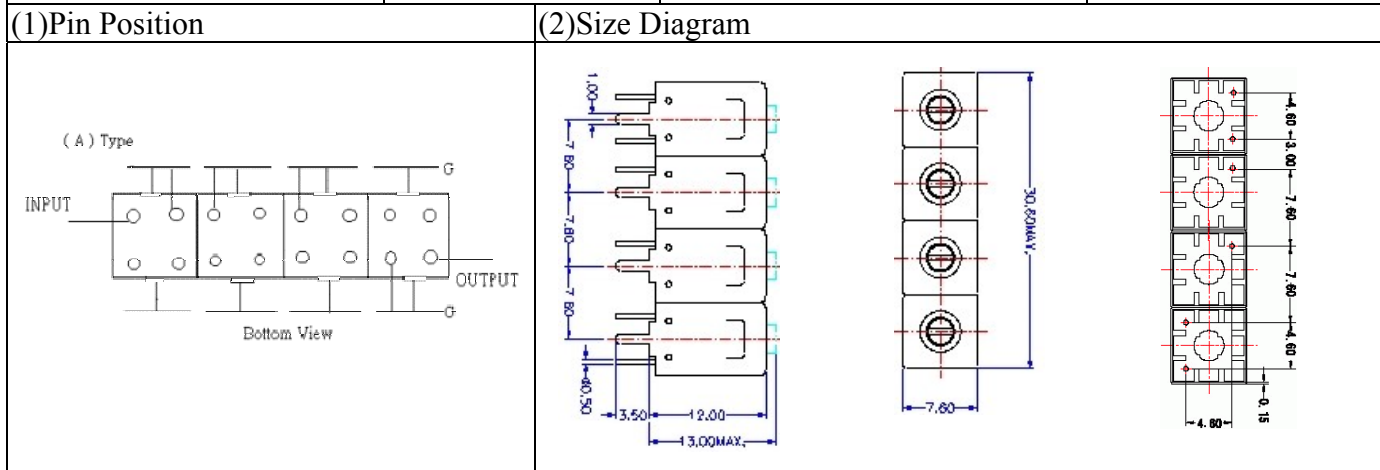


# VHF UHF Helical Filter Specification Sheet

Customer Name		Temwell's Part No.	TF6489A-247.5M
Approval No. /dated	0701165APR	Acceptable Specify Fo Range	246~275 MHz
Work Instruction No.	0701165DC	Date	Jan.05.2007



(3) Electric Character

Item		Specify	Performance
Center Freq.(Fo) +/- 0.5 %		247.5 MHz	247.5 MHz
Insertion Loss		Typ. 2.5 dB	1.62 dB
-3 dB Bandwidth		Typ. 18 MHz	21.6 MHz
Sensitivity (Attenuation)	Fo - 20 MHz	Typ. 26 dBc	29 dBc
	Fo + 20 MHz	Typ. 15 dBc	18 dBc
	Fo - ( ) MHz	Typ. dBc	dBc
	Fo + ( ) MHz	Typ. dBc	dBc
Return Loss		Min. 12 dB	23.1 dB
Ripple		< 1 dB	dB
Impedance		In / Out : 50 Ω	In / Out : 50 Ω
(4) Torque for Tuning Screw		> 100gf · cm	

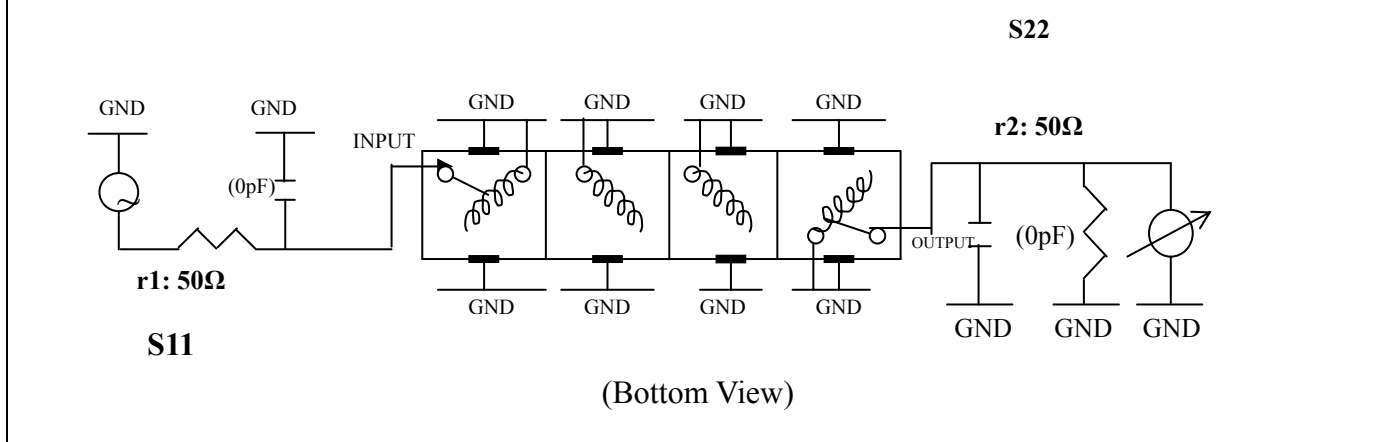
(5) Temperature Condition:

Operating Temperature	0°C ~ +60°C
Storage Temperature	-20°C ~ +70°C

(6) Input Power

> 1Watt

(7) Measuring Circuit: ※Easy to match Impedance S11/S22 50Ω/7 by parallel with about( 0 pF) / ( 0pF).



Approval C.Y.Chang	Supervisor C.S.Chang	Designer P.H.Chiang	Aperture size 7H4(4*6.5) 7H046LB5.5
-----------------------	-------------------------	------------------------	---

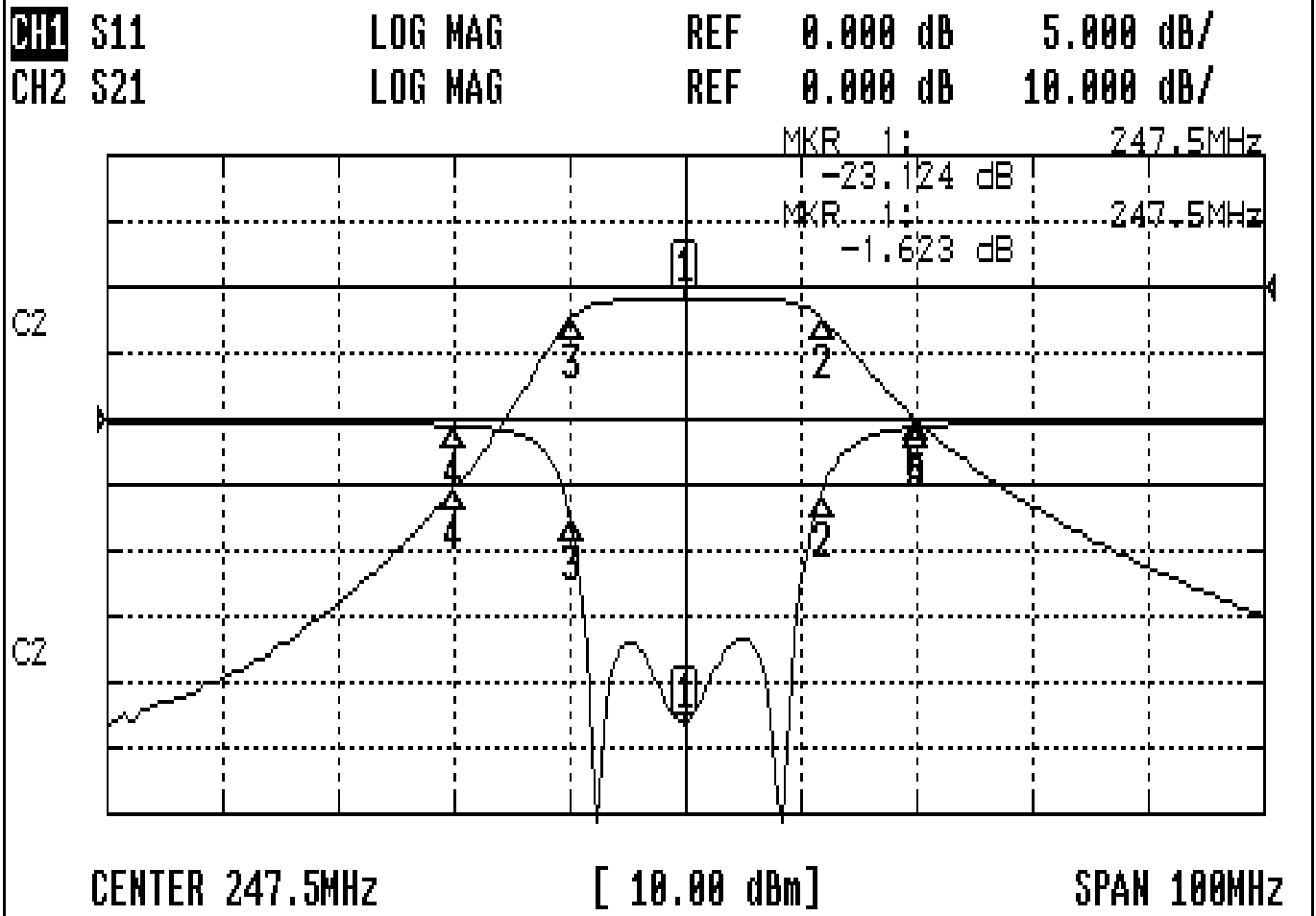
TEMWELL CORPORATION

TEMWELL

rp(P.H)

# Performance-TF6489A-247.5M

## 0701165DC



### CH1 MARKER LIST

1	247.500MHz	-23.124 dB
2	259.250MHz	-5.822 dB
3	237.666MHz	-7.791 dB
4	227.500MHz	-0.494 dB
5	267.500MHz	-0.590 dB

### CH2 MARKER LIST

1	247.500MHz	-1.623 dB
2	259.250MHz	-4.684 dB
3	237.666MHz	-4.557 dB
4	227.500MHz	-30.723 dB
5	267.500MHz	-20.138 dB