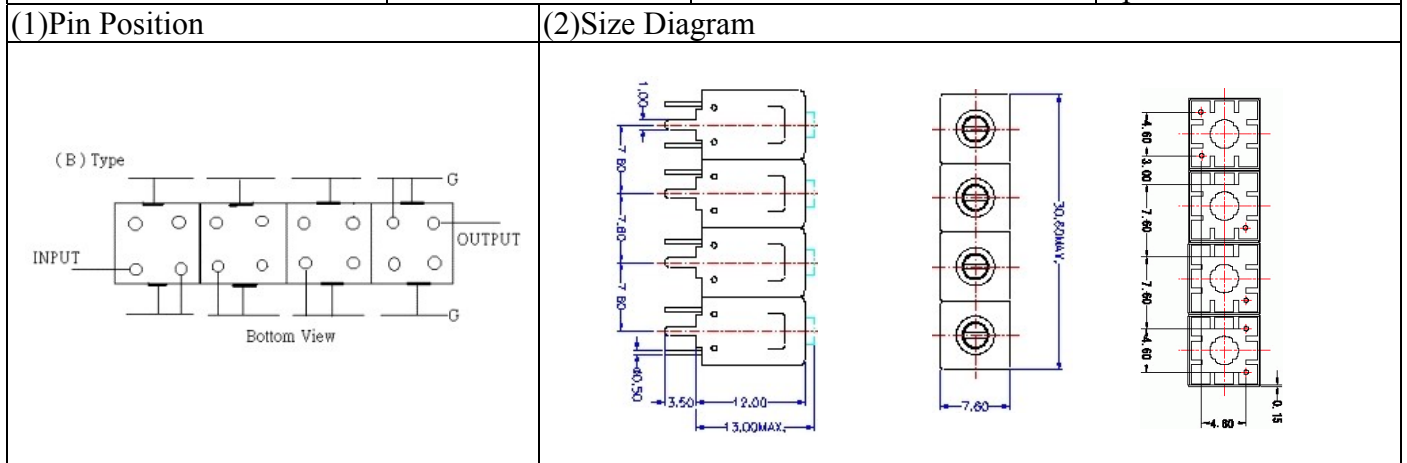


VHF UHF Helical Filter Specification Sheet

Customer Name		Temwell's Part No.	TF6489B1-74M
Approval No. /dated	0804047APR	Acceptable Specifit Fo Range	68~75MHz
Work Instruction No.	0804047CD	Date	Apr.26.2008



(3) Electric Charasteric

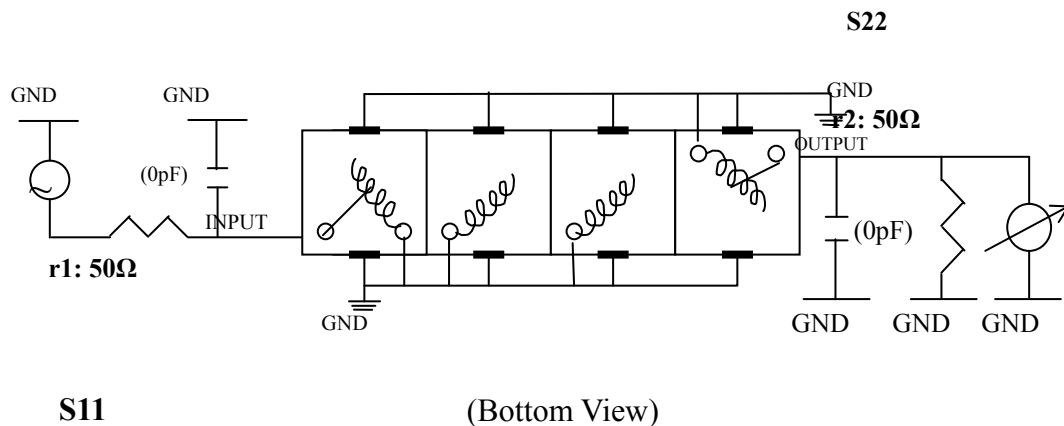
Item	Specify	Performance
Center Freq.(Fo) +/- 0.5 %	74 MHz	74 MHz
Insertion Loss	Typ. 4.0 dB	3.01 dB
-1 dB Bandwidth	Typ. 3.0 MHz	5.8 MHz
-3 dB Bandwidth	Typ. 5.5 MHz	7.4 MHz
Sensitivity (Attenuation)	Fo - 50 MHz	Typ. 69 dBc
	Fo + 50 MHz	Typ. 89 dBc
	Fo MHz	Typ. dBc
	Fo MHz	Typ. dBc
Return Loss	Min. 12 dB	25.0 dB
Ripple	< 1 dB	dB
Impedance	In / Out : 50 Ω	In / Out : 50 Ω
(4) Torque for Tuning Screw	> 100gf · cm	

(5) Temperature Condition:

Operating Temperature	0°C ~ +60°C
Storage Temperature	-20°C ~ +70°C

(6) Input Power > 1Watt

(7) Measuring Circuit: ※Easy to match Impedance S11/S22 50Ω/ by parallel with about(0pF) / (0 pF).

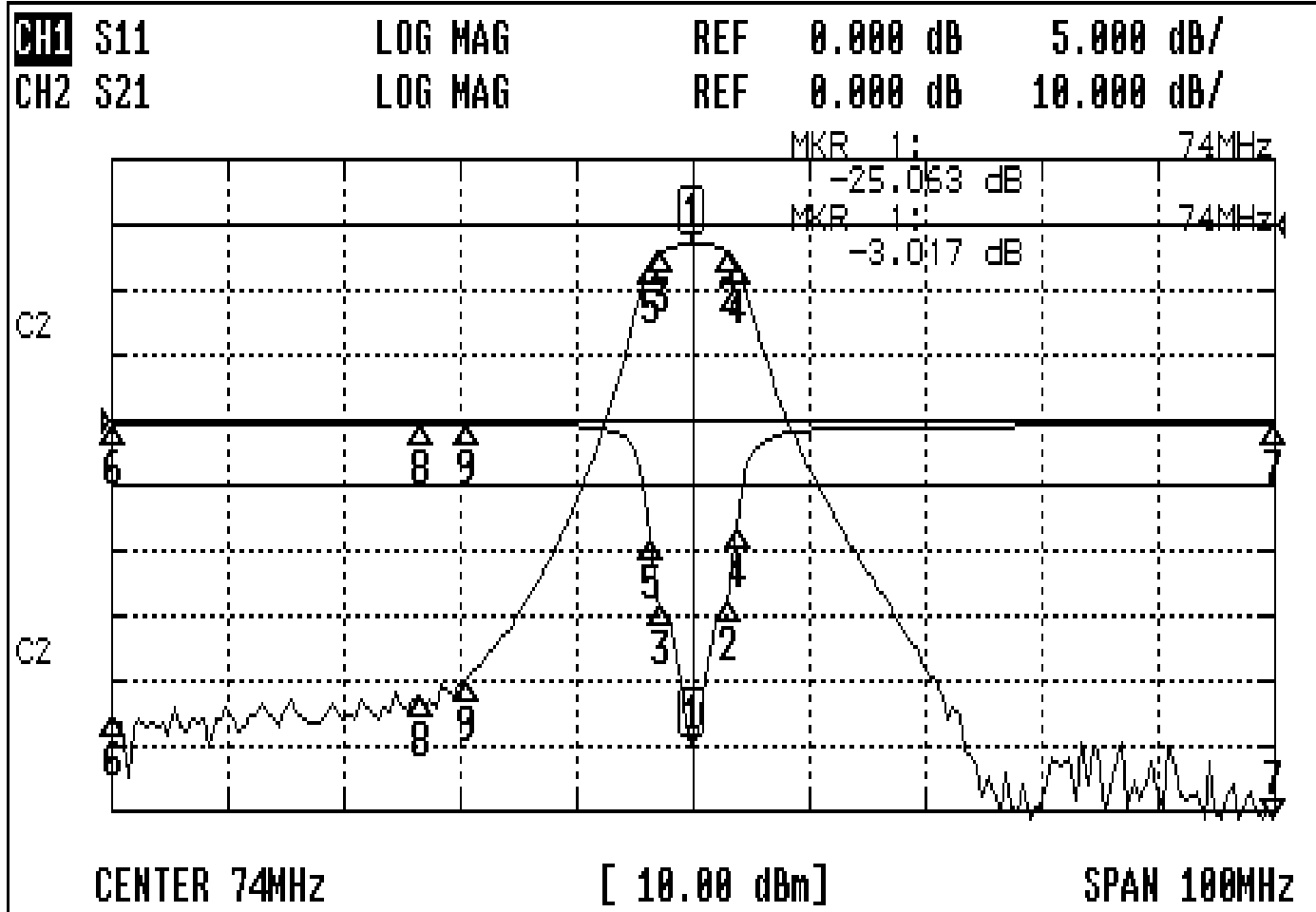


Approval	Supervisor	Designer	Aperture size
C.Y.Chang	C.S.Chang	P.H.Chiang	7H4(4*5.5)F 7H00LB6

TEMWELL CORPORATION

Performance-TF6489B1-74M

0804047CD



CH1 MARKER LIST

1	74.000MHz	-25.063	0.000
2	77.083MHz	-13.482	0.000
3	71.250MHz	-14.061	0.000
4	77.833MHz	-0.134	0.000
5	70.416MHz	-0.134	0.000
6	24.000MHz	-0.200	0.000
7	124.000MHz	-0.402	0.000
8	50.600MHz	-0.244	0.000
9	54.600MHz	-0.265	0.000

CH2 MARKER LIST

1	74.000MHz	-3.017	0.000
2	77.083MHz	-4.117	0.000
3	71.250MHz	-4.132	0.000
4	77.833MHz	-0.992	0.000
5	70.416MHz	-0.992	0.000
6	24.000MHz	-0.204	0.000
7	124.000MHz	-0.197	0.000
8	50.600MHz	-0.785	0.000
9	54.600MHz	-0.755	0.000