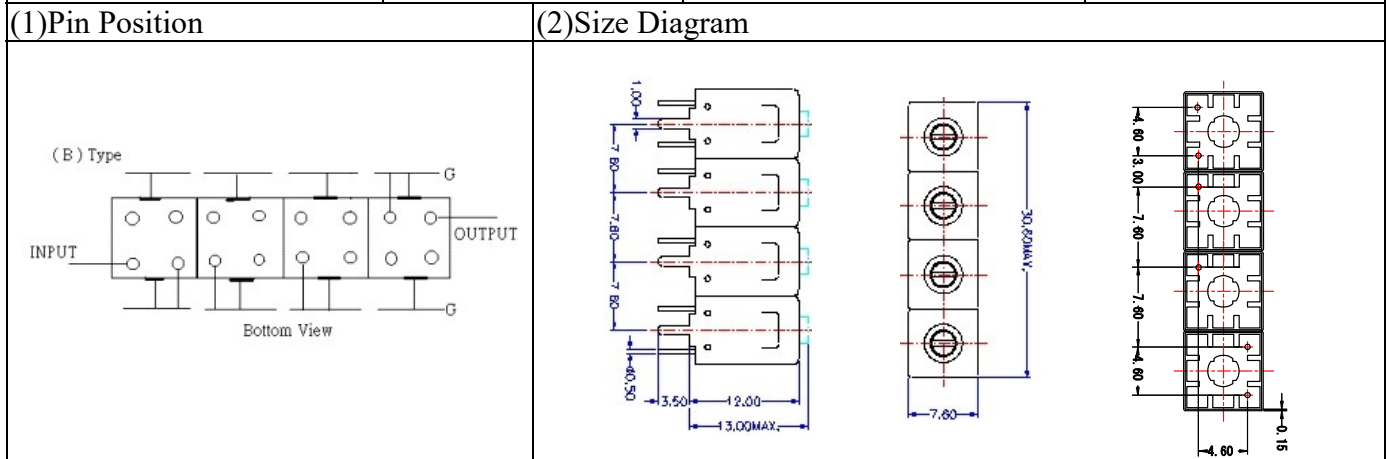


VHF UHF Helical Filter Specification Sheet

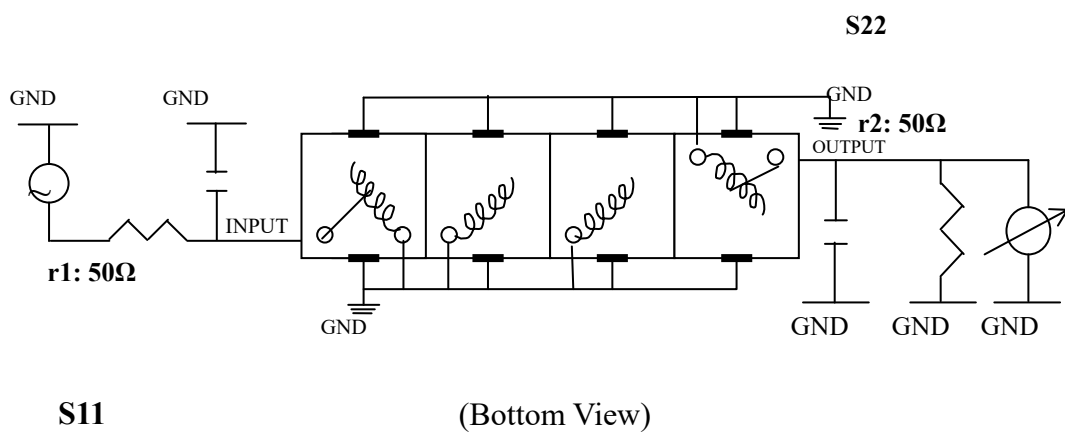
Customer Name		Temwell's Part No.	TF64911B-782M-12M
Approval No. /dated	201902054CD	Temwell's Print Name	64911B-782M-12M
Work Instruction No.	201902054CD	Date	MAR.14.2019



(3) Electric Characteristic			
Item		Specify	Performance
Center Freq.(Fo) +/- 0.5 %		782 MHz	782 MHz
Insertion Loss		Typ. 6.0 dB	4.99 dB
-3 dB Bandwidth		Typ. 12 MHz	14.2 MHz
Sensitivity (Attenuation)	Fo - 50 MHz	Typ. 59 dBc	64 dBc
	Fo + 50 MHz	Typ. 62 dBc	67 dBc
	Fo - ()MHz	Typ. dBc	dBc
	Fo +()MHz	Typ. dBc	dBc
Return Loss		Min. 12 dB	19.3 dB
Ripple		< 1 dB	dB
Impedance		In / Out : 50 Ω	In / Out : 50 Ω
(4) Torque for Tuning Screw		> 60gf · cm	

(5) Temperature Condition:	
Operating Temperature	0°C ~ +60°C
Storage Temperature	-20°C ~ +70°C
(6) Input Power	> 1Watt

(7) Measuring Circuit: ※Easy to match Impedance S11/S22 50Ω by parallel with about(- -).

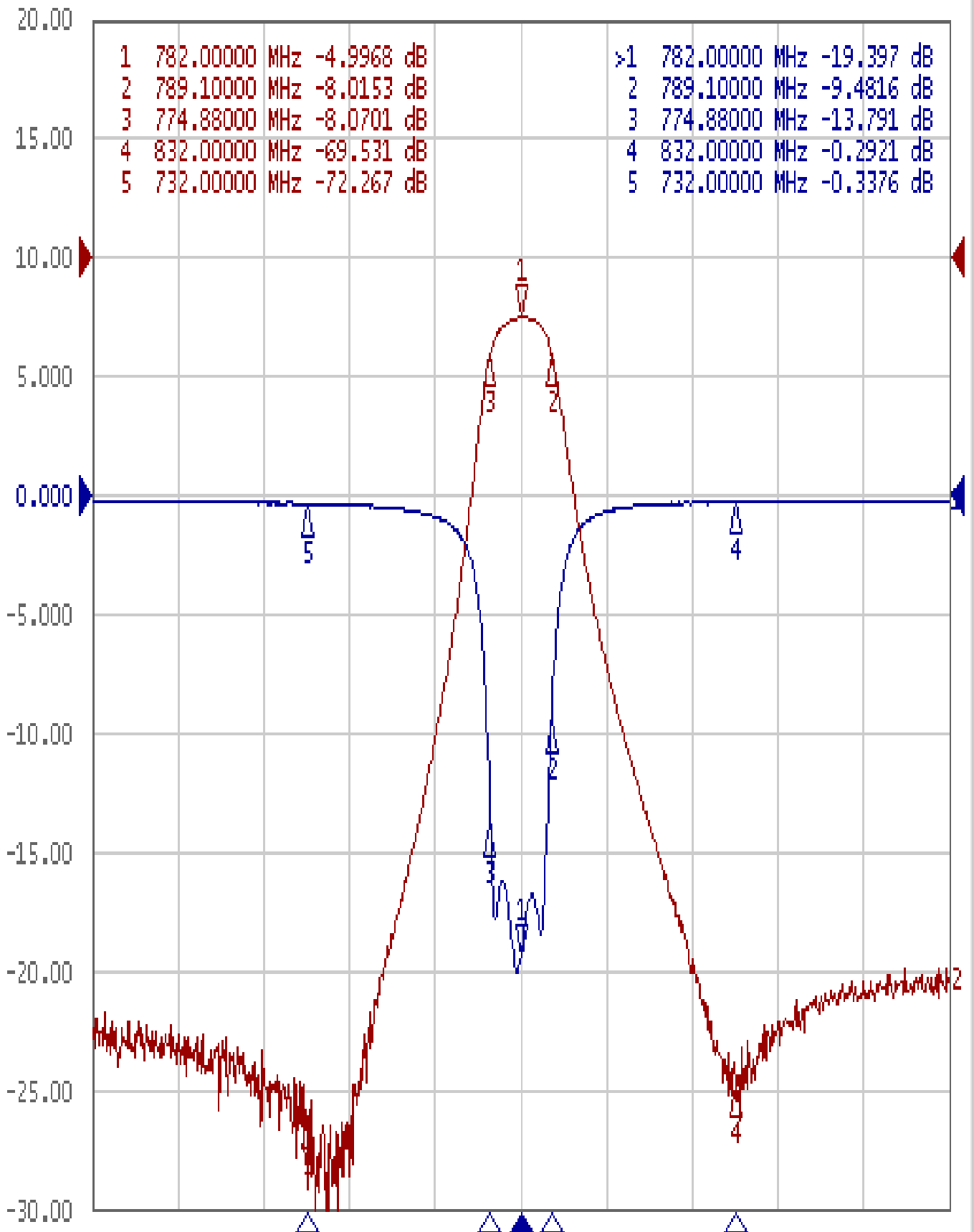


Approval	Supervisor	Designer	Aperture size
C.Y.Chang	C.K.Chang	Z.Y.Wang	7H4S(4*4.65)(4.69) 7H046RB4
TEMWELL CORPORATION			

Performance-TF64911B-782M-12M

201902054CD

Tr1 S11 Log Mag 5.000dB/ Ref 0.000dB [F2]
Tr2 S21 Log Mag 10.000dB/ Ref 0.000dB [F2]



1 Center 782 MHz

IFBW 70 kHz

Span 200 MHz Cor |