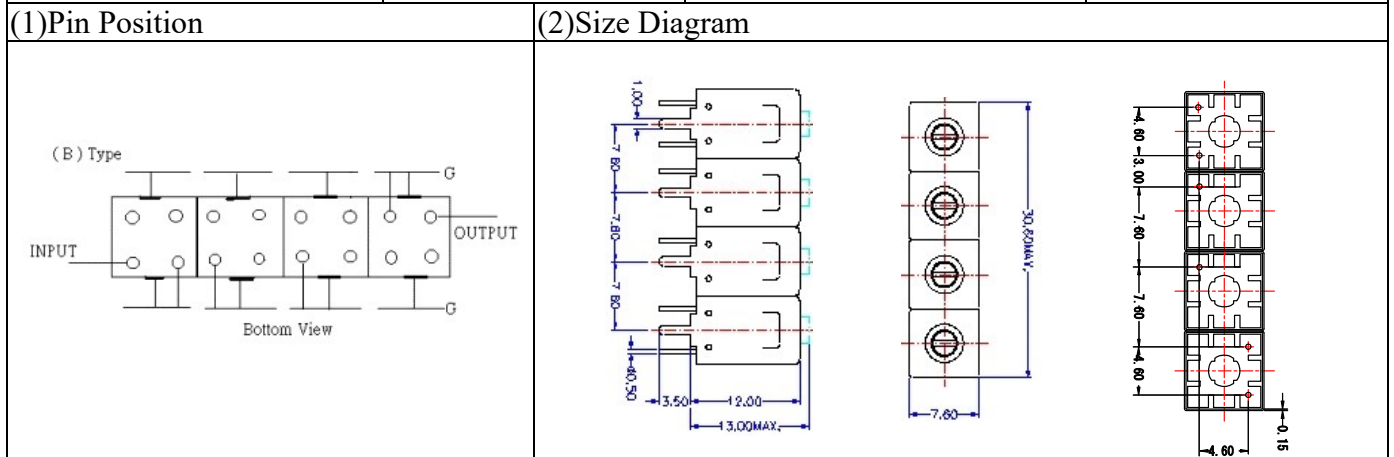


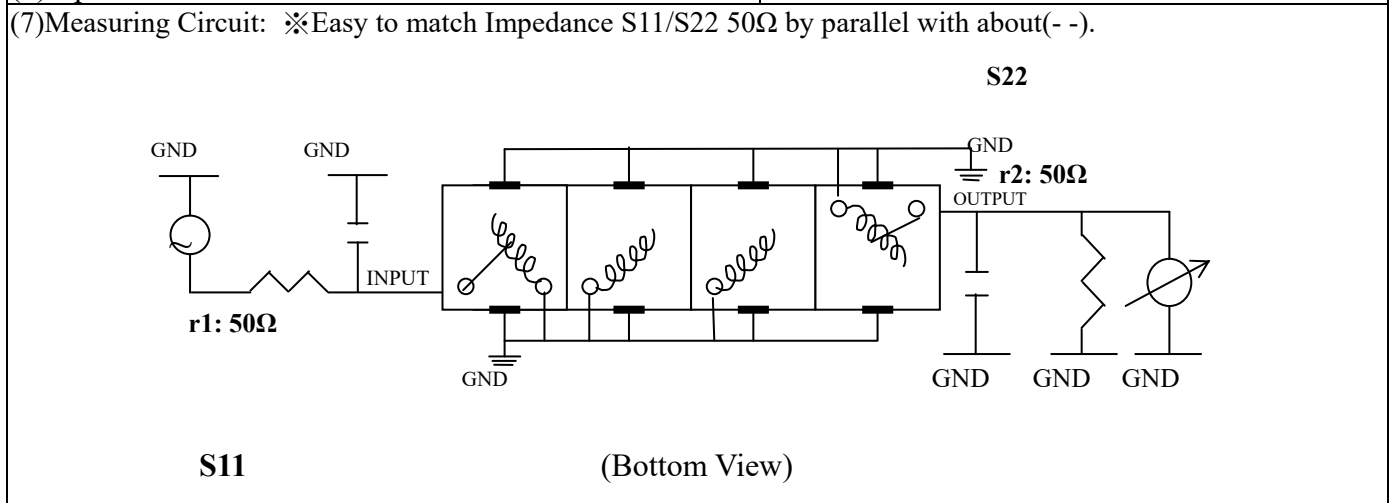
VHF UHF Helical Filter Specification Sheet

Customer Name		Temwell's Part No.	TF64912B-784.5M
Approval No. /dated	201903001CD	Temwell's Print Name	64912B-784.5M
Work Instruction No.	201903001CD	Date	MAR.19.2019



(3) Electric Characteristic			
Item	Specify	Performance	
Center Freq.(Fo) +/- 0.5 %	784.5 MHz	784.5 MHz	
Insertion Loss	Typ. 6.0 dB	4.70 dB	
-3 dB Bandwidth	Typ. 15 MHz	16.4 MHz	
Sensitivity (Attenuation)	Fo - 50 MHz	Typ. 62 dBc	67 dBc
	Fo + 50 MHz	Typ. 61 dBc	66 dBc
	Fo - ()MHz	Typ. dBc	dBc
	Fo +()MHz	Typ. dBc	dBc
Return Loss	Min. 12 dB	20.7 dB	
Ripple	< 1 dB	dB	
Impedance	In / Out : 50 Ω	In / Out : 50 Ω	
(4) Torque for Tuning Screw	> 60gf · cm		

(5) Temperature Condition:	
Operating Temperature	0°C ~ +60°C
Storage Temperature	-20°C ~ +70°C
(6) Input Power	> 1 Watt

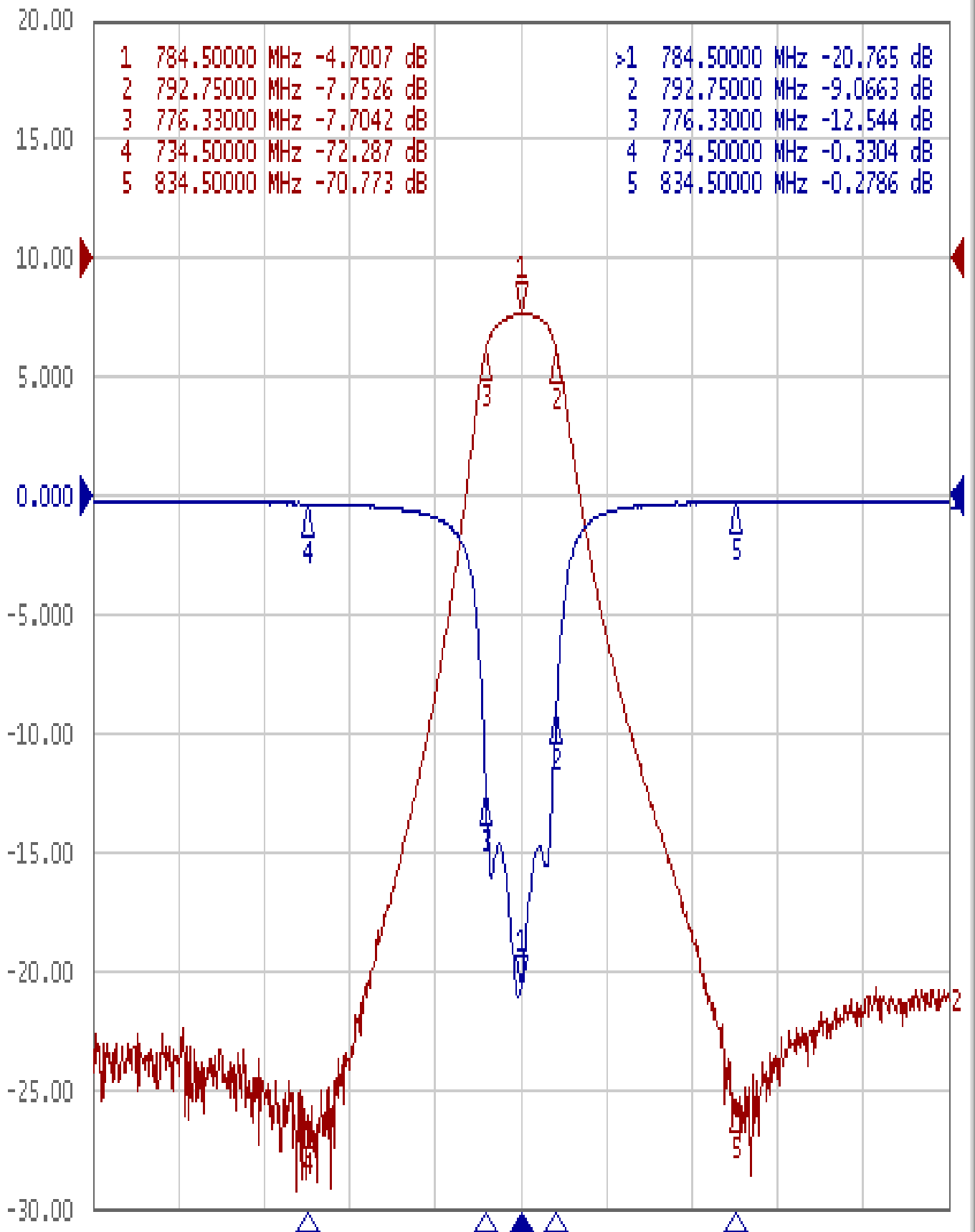


Approval	Supervisor	Designer	Aperture size
C.Y.Chang	C.K.Chang	Z.Y.Wang	7H4S(4*4.65)(4.69) 7H046RB4
TEMWELL CORPORATION			

Performance-TF64912B-784.5M

201903001CD

▶ Tr1 S11 Log Mag 5.000dB/ Ref 0.000dB [F2]
Tr2 S21 Log Mag 10.00dB/ Ref 0.000dB [F2]



1 Center 784.5 MHz

IFBW 70 kHz

Span 200 MHz

Cor |