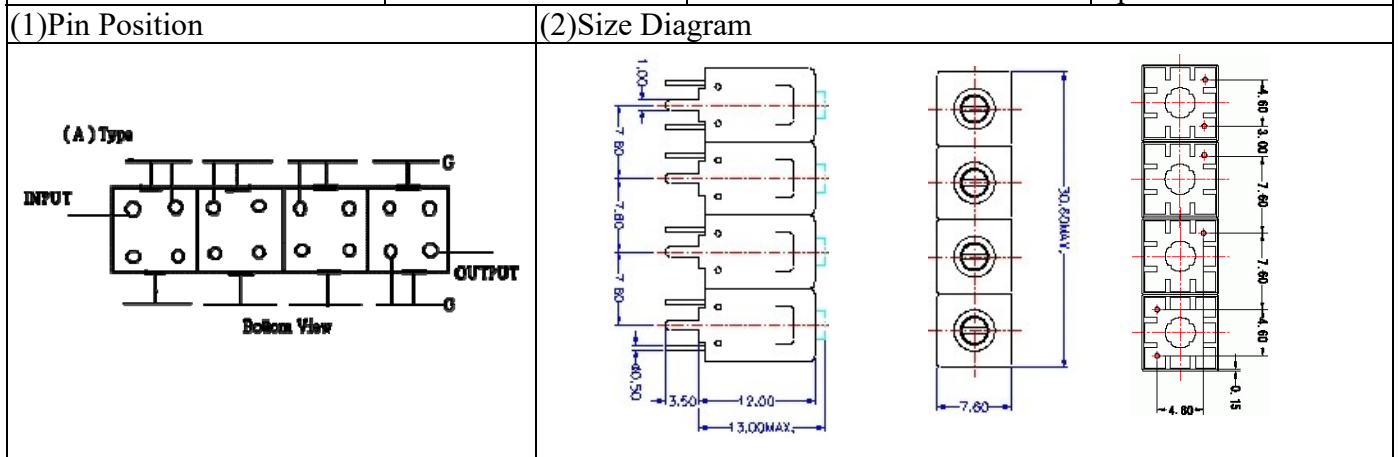


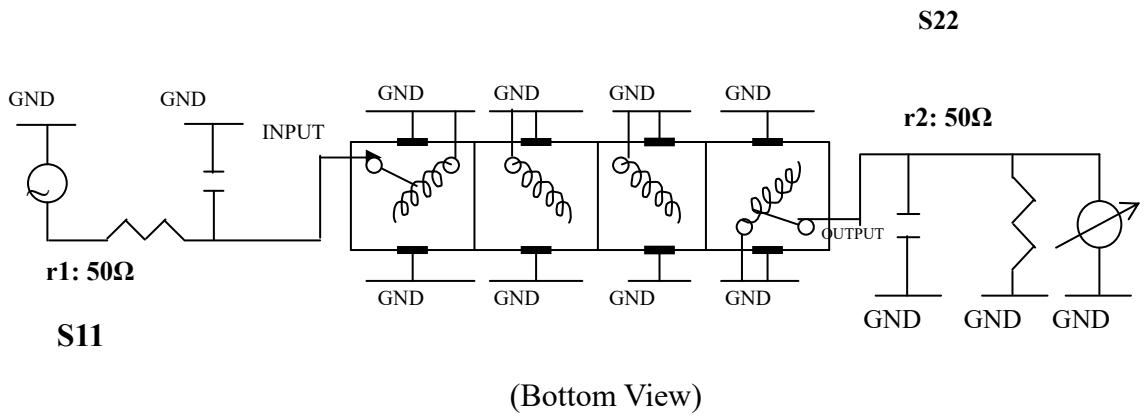
VHF UHF Helical Filter Specification Sheet

Customer Name		Temwell's Part No.	TF64913A-793M
Approval No. /dated	201903002CD	Temwell's Print Name	64913A 793M
Work Instruction No.	201903002CD	Date	Apr.01.2019



(3) Electric Characteristic			
Item		Specify	Performance
Center Freq.(Fo) +/- 0.75 %		793 MHz	793 MHz
Insertion Loss		Typ. 6.0 dB	4.90 dB
-3 dB Bandwidth		Typ. 12 MHz	14.9 MHz
Sensitivity (Attenuation)	Fo - 50 MHz	Typ. 65 dBc	70 dBc
	Fo + 50 MHz	Typ. 61 dBc	66 dBc
	Fo - ()MHz	Typ. dBc	dBc
	Fo +()MHz	Typ. dBc	dBc
Return Loss		Min. 12 dB	33.0 dB
Ripple		< 1 dB	dB
Impedance		In / Out : 50 Ω	In / Out : 50 Ω
(4) Torque for Tuning Screw		> 60gf • cm	
(5) Temperature Condition:			
Operating Temperature		0°C ~ +60°C	
Storage Temperature		-20°C ~ +70°C	
(6) Input Power		> 1Watt	

(7) Measuring Circuit: ※Easy to match Impedance S11/S22 50Ω by parallel with about(- -).

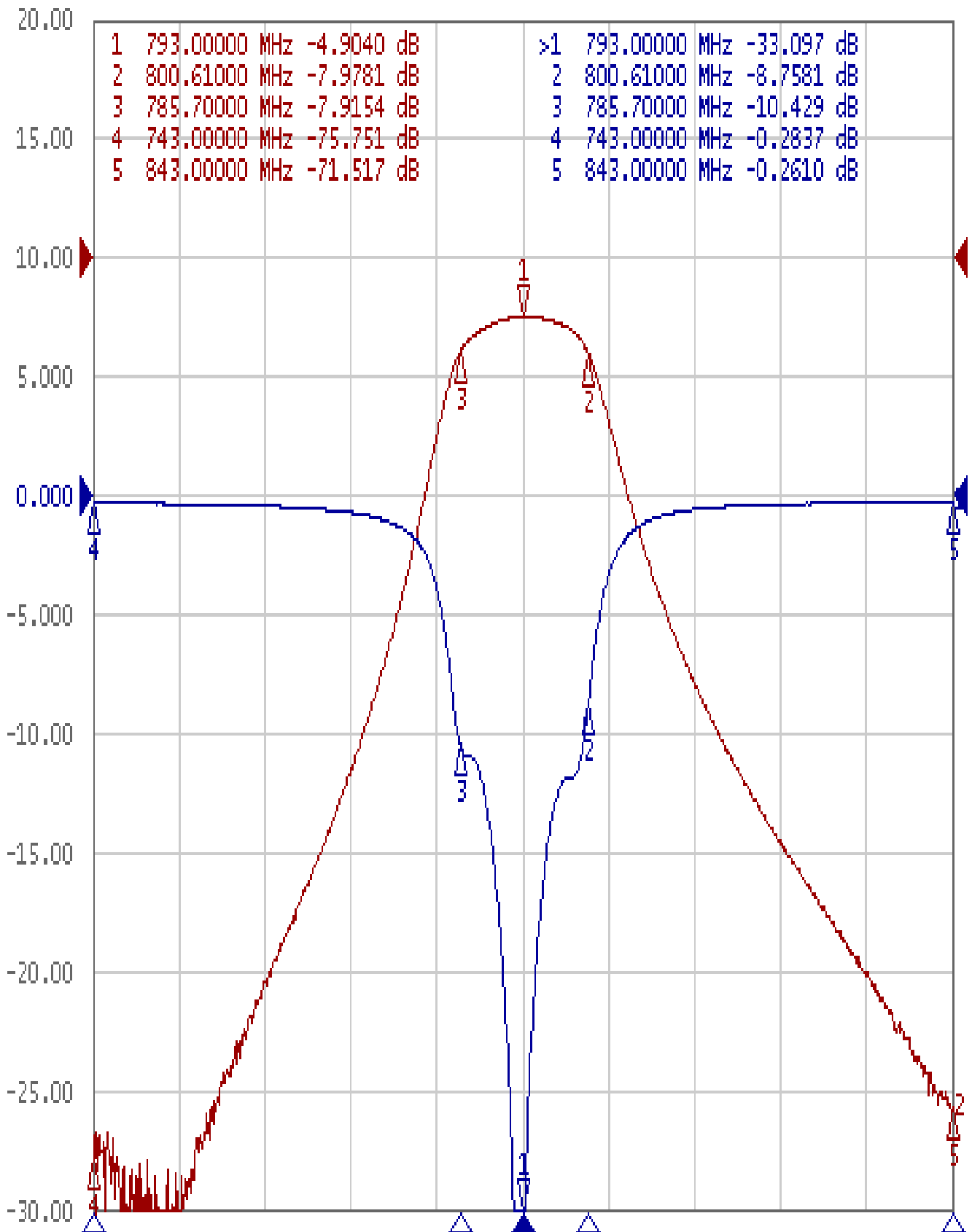


Approval	Supervisor	Designer	Aperture size
C.Y.Chang	C.S.Chang	Z.Y.Wang	7H4S(4*4.65)(4.68) 7H046LB4.3 聚 3

Performance-TF64913A-793M

201903002CD

Tr1 S11 Log Mag 5.000dB/ Ref 0.000dB [F2]
Tr2 S21 Log Mag 10.00dB/ Ref 0.000dB [F2]



1 Center 793 MHz IFBW 10 kHz Span 100 MHz Cor !