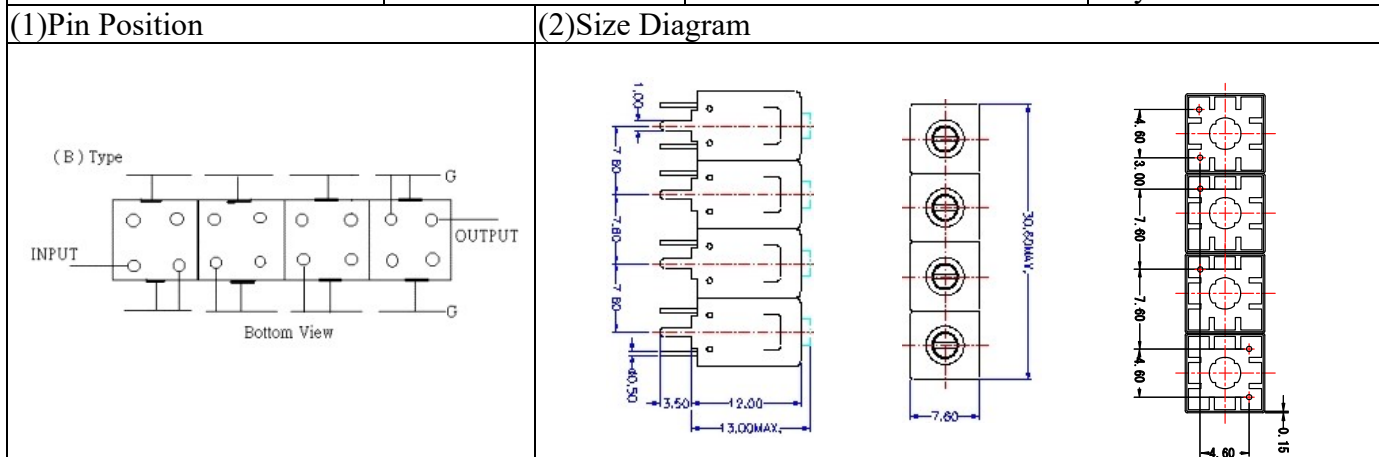


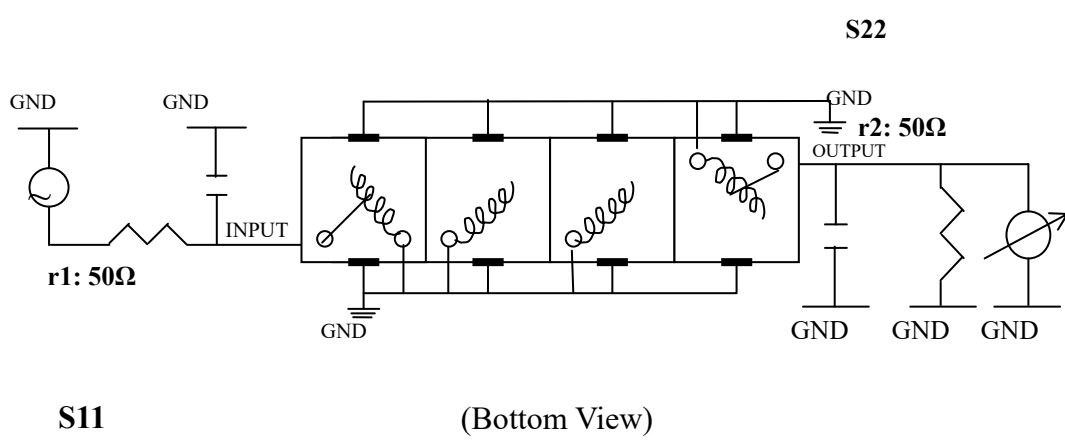
VHF UHF Helical Filter Specification Sheet

| | | | |
|----------------------|-------------|----------------------|------------------|
| Customer Name | | Temwell's Part No. | TF64916B-831.5M |
| Approval No. /dated | 201904020CD | Temwell's Print Name | 64916B 831.5M |
| Work Instruction No. | 201904020CD | Date | May.02.2019 |



| (3) Electric Characteristic | | | |
|------------------------------|--------------|-----------------|-----------------|
| Item | | Specify | Performance |
| Center Freq.(Fo) +/- 0.5 % | | 831.5 MHz | 831.5 MHz |
| Insertion Loss | | Typ. 3.5 dB | 2.24 dB |
| -3 dB Bandwidth | | Typ. 35 MHz | 37.4 MHz |
| Sensitivity (Attenuation) | Fo - 100 MHz | Typ. 65 dBc | 75 dBc |
| | Fo + 100 MHz | Typ. 47 dBc | 52 dBc |
| | Fo - ()MHz | Typ. dBc | dBc |
| | Fo +()MHz | Typ. dBc | dBc |
| Return Loss | | Min. 12 dB | 21.5 dB |
| Ripple | | < 1 dB | dB |
| Impedance | | In / Out : 50 Ω | In / Out : 50 Ω |
| (4) Torque for Tuning Screw | | > 60gf · cm | |
| (5) Temperature Condition: | | | |
| Operating Temperature | | 0°C ~ +60°C | |
| Storage Temperature | | -20°C ~ +70°C | |
| (6) Input Power | | > 1Watt | |

(7) Measuring Circuit: ※Easy to match Impedance S11/S22 50Ω by parallel with about(- -).



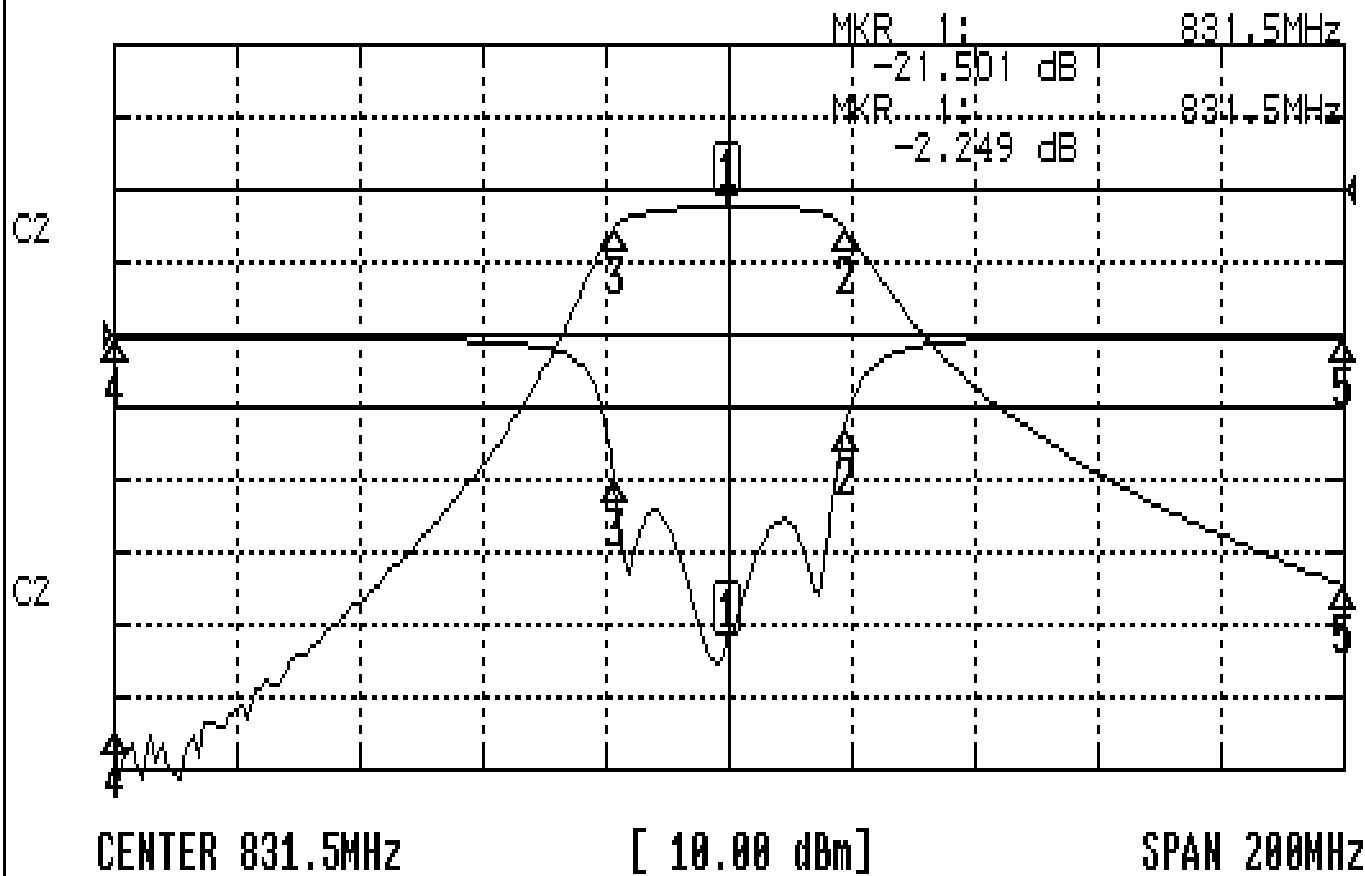
| | | | |
|-----------|------------|----------|-------------------------------|
| Approval | Supervisor | Designer | Aperture size |
| C.Y.Chang | C.K.Chang | M.Y.Kang | 7H4S(4*7.35)(7.40) 7H04RB4 |

TEMWELL CORPORATION

Performance-TF64916B-831.5M

201904020CD

CH1 S11 LOG MAG REF 0.000 dB 5.000 dB/
CH2 S21 LOG MAG REF 0.000 dB 10.000 dB/



CH1 MARKER LIST

| | | |
|----|------------|------------|
| 1: | 831.500MHz | -21.501 dB |
| 2: | 850.450MHz | -16.500 dB |
| 3: | 813.000MHz | -19.993 dB |
| 4: | 731.500MHz | -0.160 dB |
| 5: | 931.500MHz | -0.150 dB |

CH2 MARKER LIST

| | | |
|----|------------|------------|
| 1: | 831.500MHz | -2.249 dB |
| 2: | 850.450MHz | -15.264 dB |
| 3: | 813.000MHz | -15.249 dB |
| 4: | 731.500MHz | -77.397 dB |
| 5: | 931.500MHz | -54.725 dB |