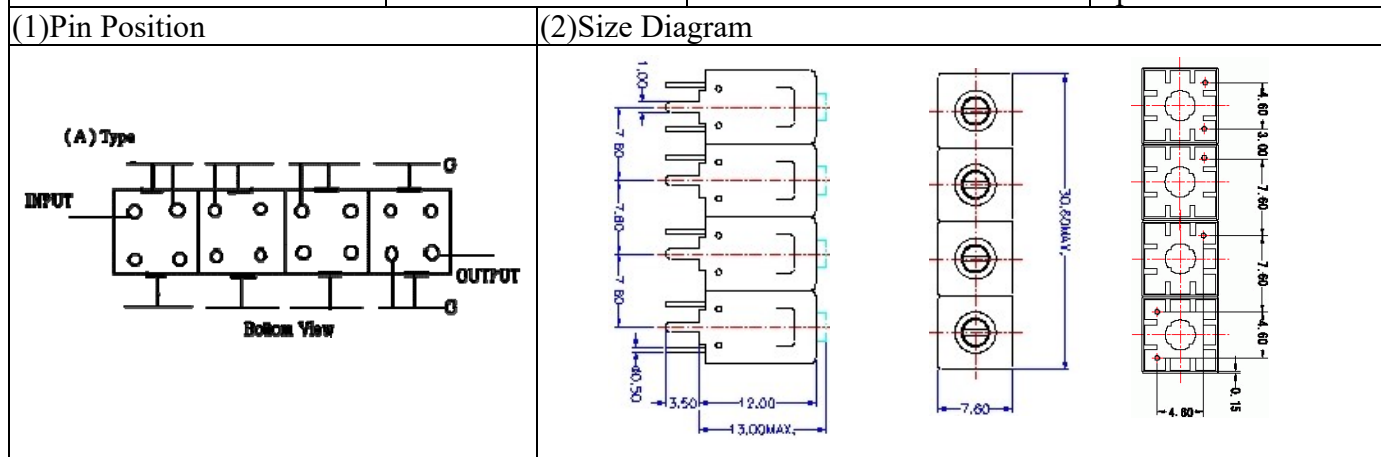


VHF UHF Helical Filter Specification Sheet

Customer Name		Temwell's Part No.	TF64919A-860.5M
Approval No. /dated	201904026CD	Temwell's Print Name	64919A 860.5M
Work Instruction No.	201904026CD	Date	Apr.29.2019



(3)Electric Characteristic

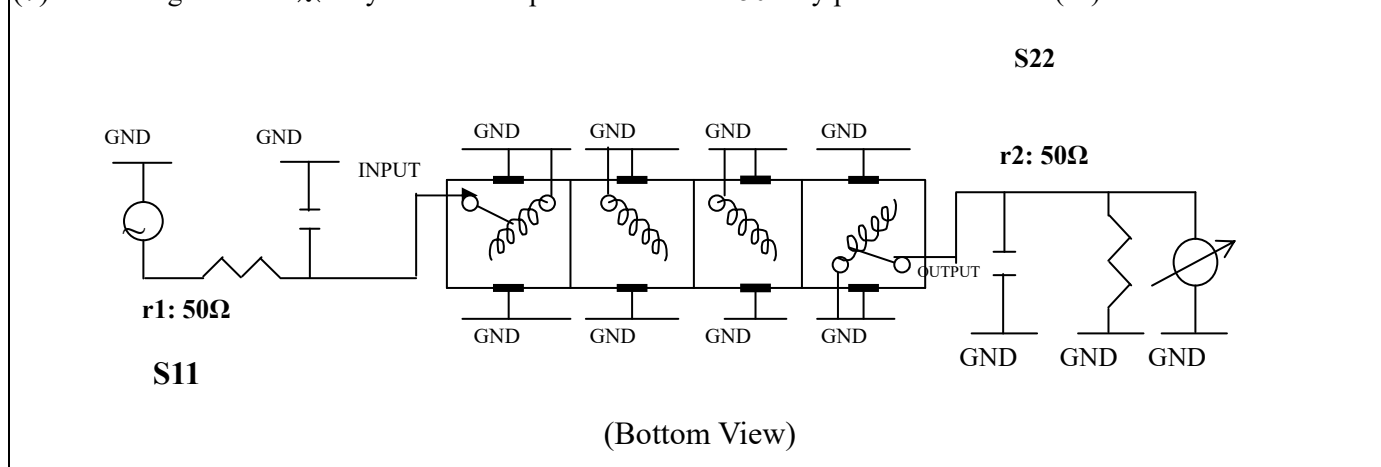
Item	Specify	Performance	
Center Freq.(Fo) +/- 0.5 %	860.5 MHz	860.5 MHz	
Insertion Loss	Typ. 5.0 dB	3.95 dB	
-3 dB Bandwidth	Typ. 17 MHz	19.2 MHz	
Sensitivity (Attenuation)	Fo - 50 MHz	Typ. 62 dBc	72 dBc
	Fo + 50 MHz	Typ. 50 dBc	55 dBc
	Fo - ()MHz	Typ. dBc	dBc
	Fo +()MHz	Typ. dBc	dBc
Return Loss	Min. 12 dB	28.9 dB	
Ripple	< 1 dB	dB	
Impedance	In / Out : 50 Ω	In / Out : 50 Ω	
(4)Torque for Tuning Screw	> 60gf · cm		

(5)Temperature Condition:

Operating Temperature	0°C ~ +60°C
Storage Temperature	-20°C ~ +70°C

(6)Input Power

(7) Measuring Circuit: ※Easy to match Impedance S11/S22 50Ω by parallel with about(- -).

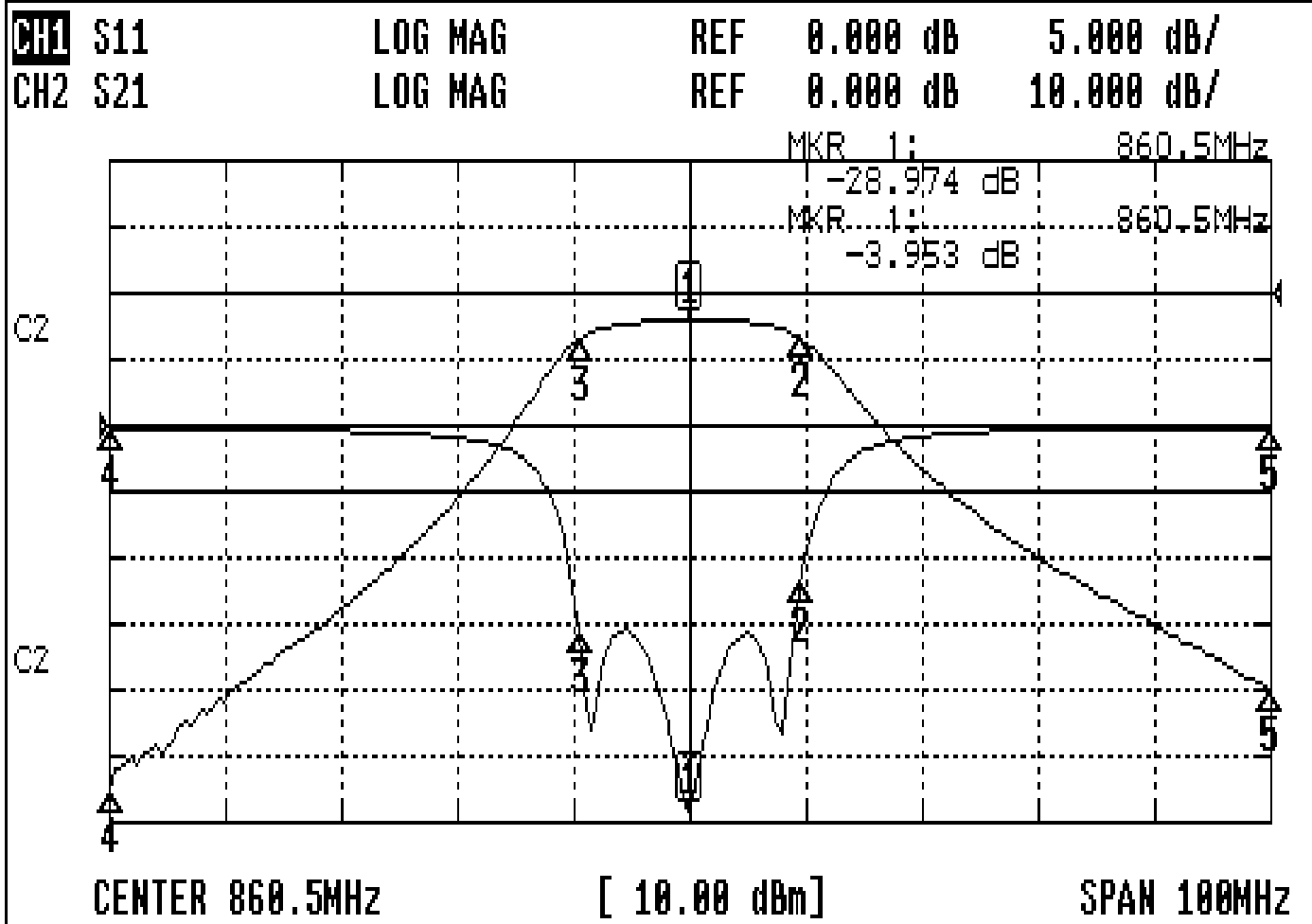


Approval	Supervisor	Designer	Aperture size
C.Y.Chang	C.K.Chang	C.H.Yeh	7H4S(4*4.65)(4.67) 7H046LB4.3 聚 3

TEMWELL CORPORATION

Performance-TF64919A-860.5M

201904026CD



CH1 MARKER LIST

1	860.500MHz	-28.982 dB
2	870.200MHz	-11.450 dB
3	851.000MHz	-15.633 dB
4	810.500MHz	-0.210 dB
5	910.500MHz	-0.153 dB

CH2 MARKER LIST

1	860.500MHz	-3.953 dB
2	870.200MHz	-7.003 dB
3	851.000MHz	-6.950 dB
4	810.500MHz	-76.682 dB
5	910.500MHz	-59.731 dB