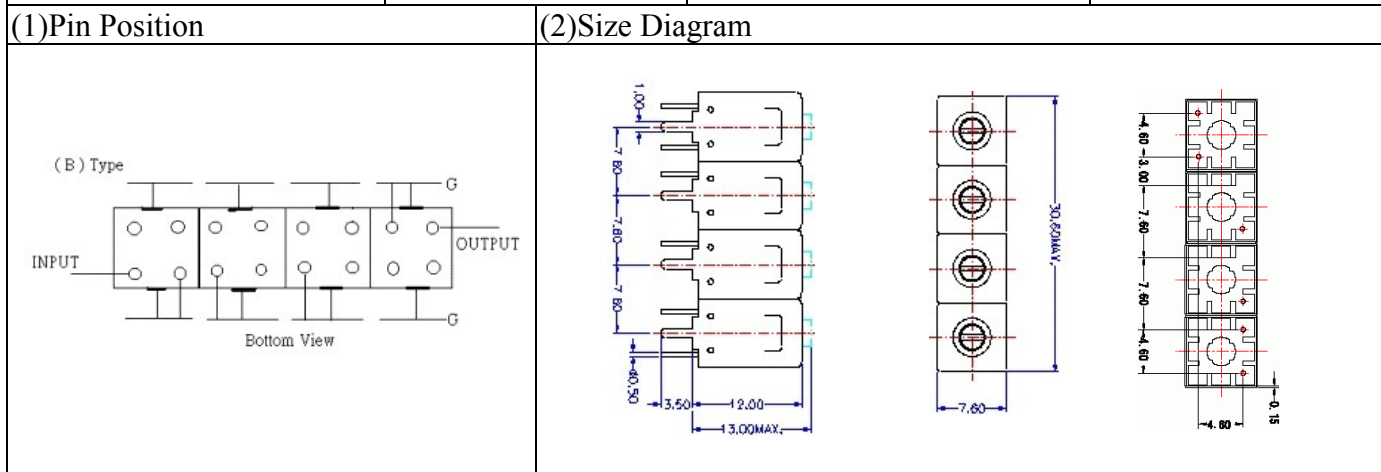


VHF UHF Helical Filter Specification Sheet

Customer Name		Temwell's Part No.	TF6491B-74M
Approval No. /dated		Temwell's Print name	6491B 74M
Work Instruction No.	201010058BD	Date	Oct.07.2010



(3) Electric Characteristic

Item	Specify	Performance	
Center Freq.(Fo) +/- 0.5 %	74 MHz	74 MHz	
Insertion Loss	Typ. 3.0 dB	2.24 dB	
-3 dB Bandwidth	Typ. 10 MHz	13.2 MHz	
Sensitivity (Attenuation)	Fo - 50 MHz	Typ. 60 dBc	71 dBc
	Fo + 50 MHz	Typ. 80 dBc	92 dBc
	Fo - ()MHz	Typ. dBc	dBc
	Fo +()MHz	Typ. dBc	dBc
Return Loss	Min. 12 dB	26.9 dB	
Ripple	< 1 dB	dB	
Impedance	In / Out : 50 Ω	In / Out : 50 Ω	
(4) Torque for Tuning Screw	> 60gf · cm		

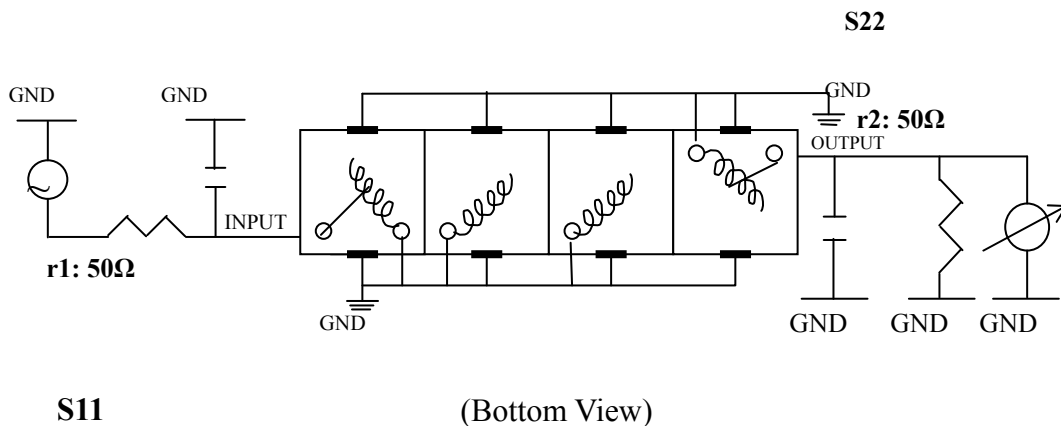
(5) Temperature Condition:

Operating Temperature	0°C ~ +60°C
Storage Temperature	-30°C ~ +70°C

(6) Input Power

> 1Watt

(7) Measuring Circuit: ※Easy to match Impedance S11/S22 50Ω/ by parallel with about(--) / (--).

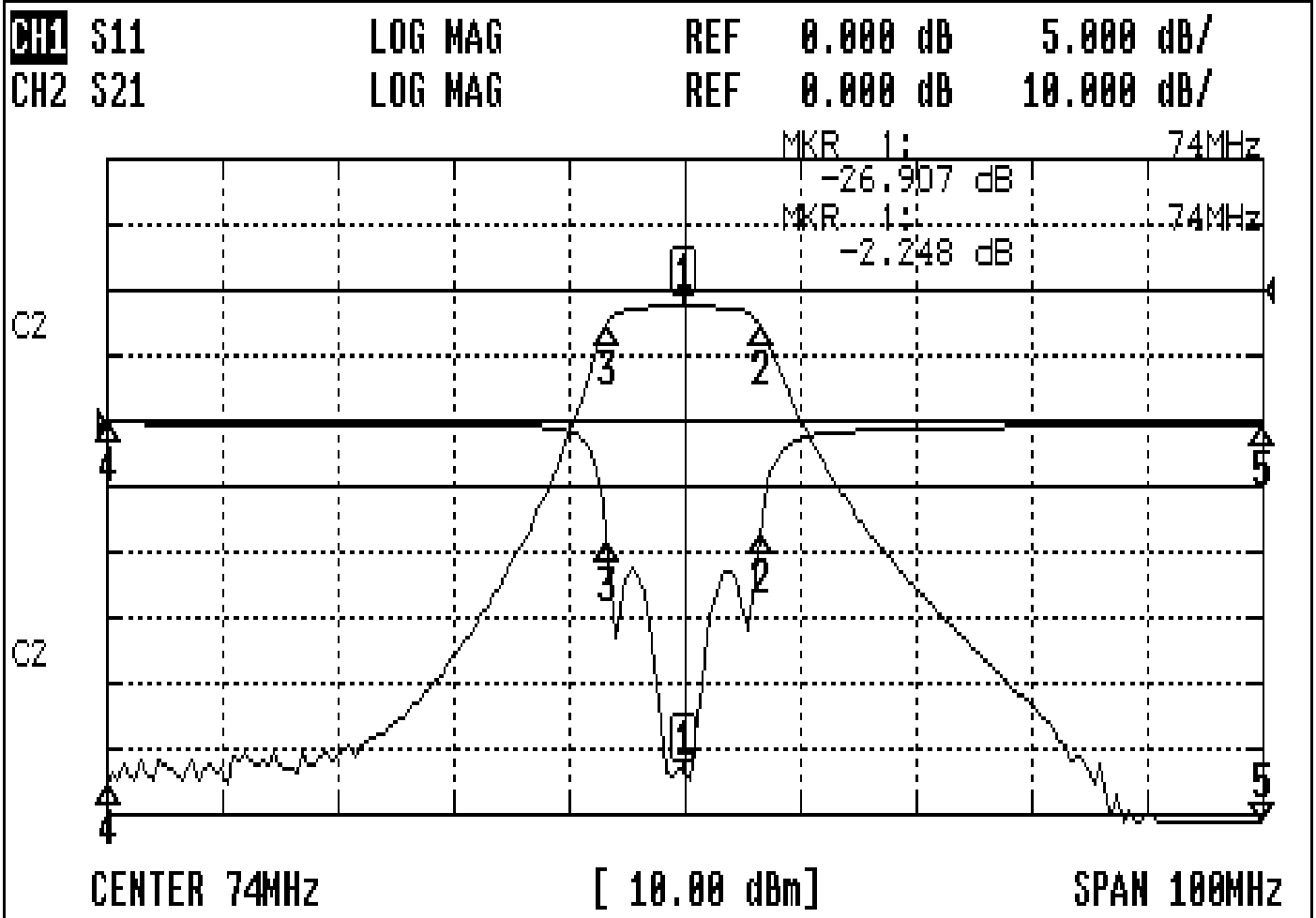


Approval	Supervisor	Designer	Aperture size
C.Y.Chang	C.K.Chang	Y.H.Yeh	7H4S(4*6.5)(6.59) 7H00LB6

TEMWELL CORPORATION

Performznce-TF6491B-74M

201010058BD



CH1 MARKER LIST

Marker	Frequency (MHz)	Magnitude (dB)
1	74.000	-26.907
2	80.560	-10.528
3	67.370	-9.767
4	24.000	-0.104
5	124.000	-0.320

CH2 MARKER LIST

Marker	Frequency (MHz)	Magnitude (dB)
1	74.000	-2.247
2	80.560	-11.212
3	67.370	-11.236
4	24.000	-73.428
5	124.000	-94.445