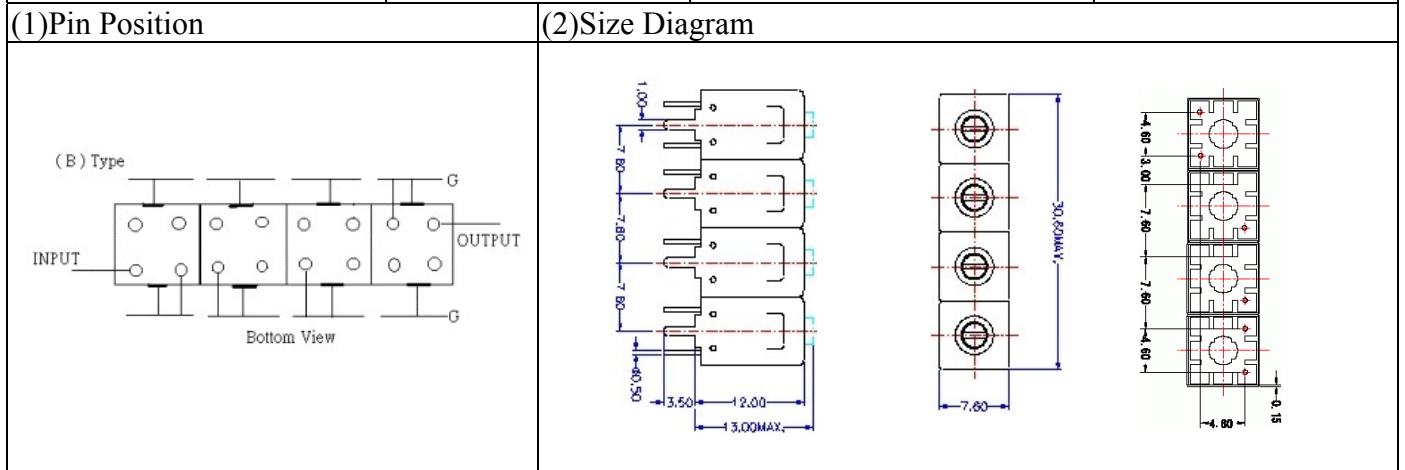
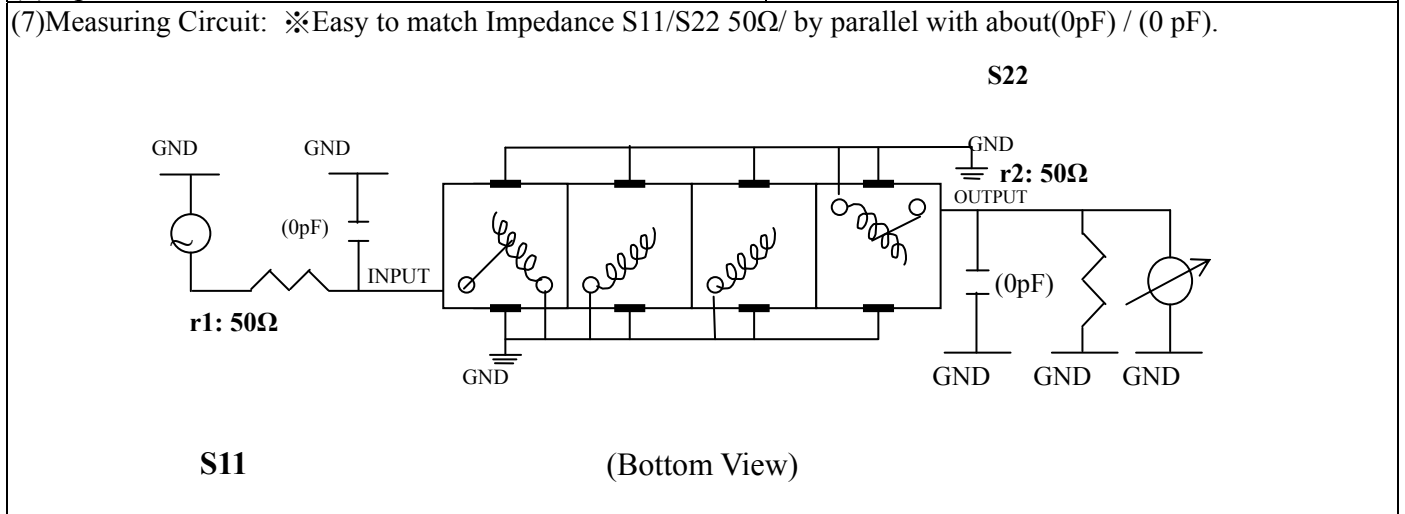


VHF UHF Helical Filter Specification Sheet

Customer Name		Temwell's Part No.	TF6492B-191.5M
Approval No. /dated	0901081CD	Temwell's Print Name	6492B 191.5M
Work Instruction No.	200901081CD	Date	Feb.24.2009



(3) Electric Charasteric			
Item	Specify		Performance
Center Freq.(Fo) +/- 0.5 %	191.5	MHz	191.5 MHz
Insertion Loss	Typ. 2.0	dB	1.06 dB
-3 dB Bandwidth	Typ. 40	MHz	43.7 MHz
Sensitivity (Attenuation)	Fo - 50 MHz	Typ. 43 dBc	46 dBc
	Fo + 50 MHz	Typ. 26 dBc	29 dBc
	Fo - ()MHz	Typ. dBc	dBc
	Fo +()MHz	Typ. dBc	dBc
Return Loss	Min. 12	dB	29.2 dB
Ripple	< 1	dB	dB
Impedance	In / Out : 50 Ω		In / Out : 50 Ω
(4) Torque for Tuning Screw			
> 100gf · cm			
(5) Temperature Condition:			
Operating Temperature	0°C ~ +60°C		
Storage Temperature	-20°C ~ +70°C		
(6) Input Power			
> 1Watt			



Approval	Supervisor	Designer	Aperture size
C.Y.Chang	C.S.Chang	C.S.Chang	7H4(4*6.5F)(6.54) (7H024LB6.5)

TEMWELL CORPORATION

Performance-TF6492B-191.5M

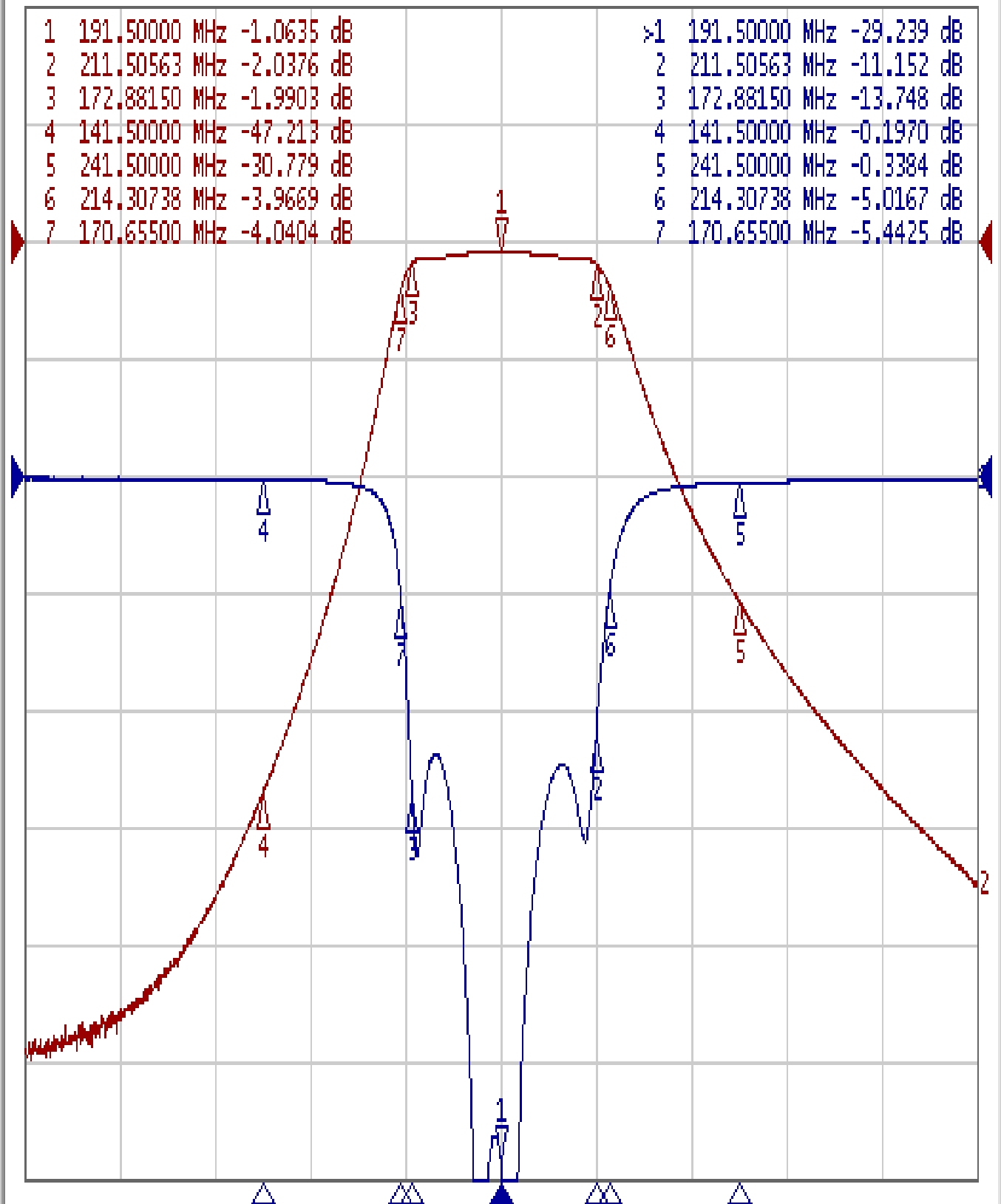
200901081CD

Tr1 S11 Log Mag 5.000dB/ Ref 0.000dB [F3]

Tr2 S21 Log Mag 10.00dB/ Ref 0.000dB [F3]

1	191.50000 MHz	-1.0635 dB
2	211.50563 MHz	-2.0376 dB
3	172.88150 MHz	-1.9903 dB
4	141.50000 MHz	-47.213 dB
5	241.50000 MHz	-30.779 dB
6	214.30738 MHz	-3.9669 dB
7	170.65500 MHz	-4.0404 dB

>1	191.50000 MHz	-29.239 dB
2	211.50563 MHz	-11.152 dB
3	172.88150 MHz	-13.748 dB
4	141.50000 MHz	-0.1970 dB
5	241.50000 MHz	-0.3384 dB
6	214.30738 MHz	-5.0167 dB
7	170.65500 MHz	-5.4425 dB



1 Center 191.5 MHz

IFBW 10 kHz

Span 200 MHz

Sim C? !