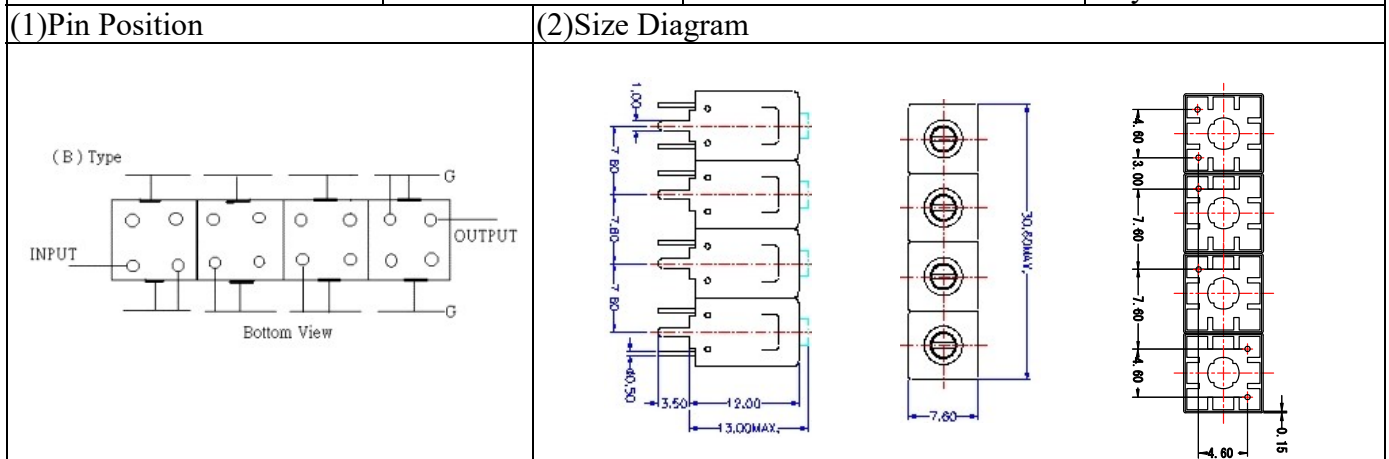


VHF UHF Helical Filter Specification Sheet

Customer Name		Temwell's Part No.	TF64938B-1457M
Approval No. /dated	201905040CD	Temwell's Print Name	64938B 1457M
Work Instruction No.	201905040CD	Date	May.20.2019



(3) Electric Characteristic

Item	Specify	Performance	
Center Freq.(Fo) +/- 0.5 %	1457 MHz	1457 MHz	
Insertion Loss	Typ. 7.5 dB	6.41 dB	
-3 dB Bandwidth	Typ. 20 MHz	24.8 MHz	
Sensitivity (Attenuation)	Fo - 100 MHz	Typ. 50 dBc	60 dBc
	Fo + 100 MHz	Typ. 46 dBc	51 dBc
	Fo - ()MHz	Typ. dBc	dBc
	Fo +()MHz	Typ. dBc	dBc
Return Loss	Min. 12 dB	25.1 dB	
Ripple	< 1 dB	dB	
Impedance	In / Out : 50 Ω	In / Out : 50 Ω	

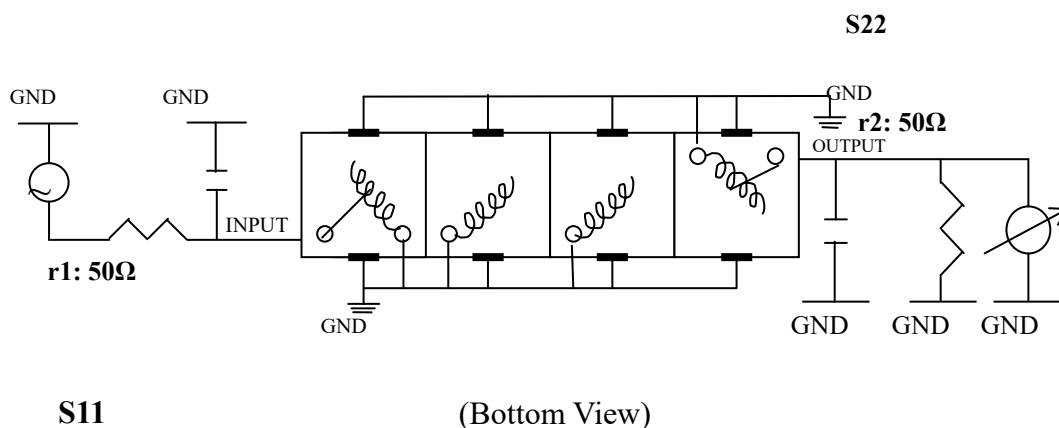
(4) Torque for Tuning Screw > 60gf · cm

(5) Temperature Condition:

Operating Temperature	0°C ~ +60°C
Storage Temperature	-20°C ~ +70°C

(6) Input Power > 1Watt

(7) Measuring Circuit: ※Easy to match Impedance S11/S22 50Ω by parallel with about(- -).



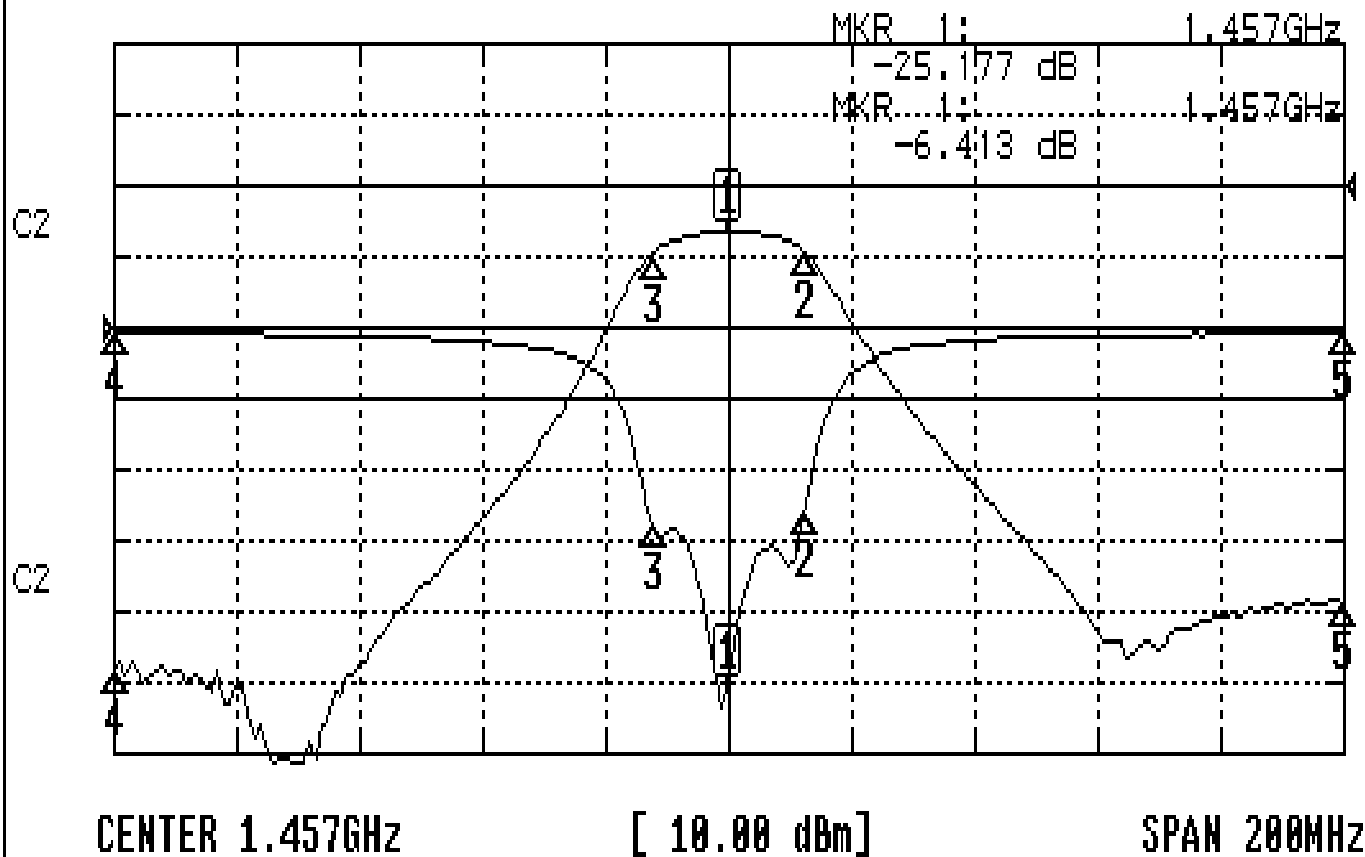
Approval	Supervisor	Designer	Aperture size
C.Y.Chang	C.K.Chang	C.H.Yeh	7H4S(4*4.65)(4.70) 7H046RB4.3 聚 3(J1)

TEMWELL CORPORATION

Performance-TF64938B-1457M

201905040CD

CH1 S11 LOG MAG REF 0.000 dB 5.000 dB/
CH2 S21 LOG MAG REF 0.000 dB 10.000 dB/



CH1 MARKER LIST

Marker	Frequency (GHz)	Magnitude (dB)
1	1.457000	-25.185
2	1.469500	-12.837
3	1.444666	-13.937
4	1.357000	-0.374
5	1.557000	-0.387

CH2 MARKER LIST

Marker	Frequency (GHz)	Magnitude (dB)
1	1.457000	-6.413
2	1.469500	-9.424
3	1.444666	-9.415
4	1.357000	-67.262
5	1.557000	-58.329