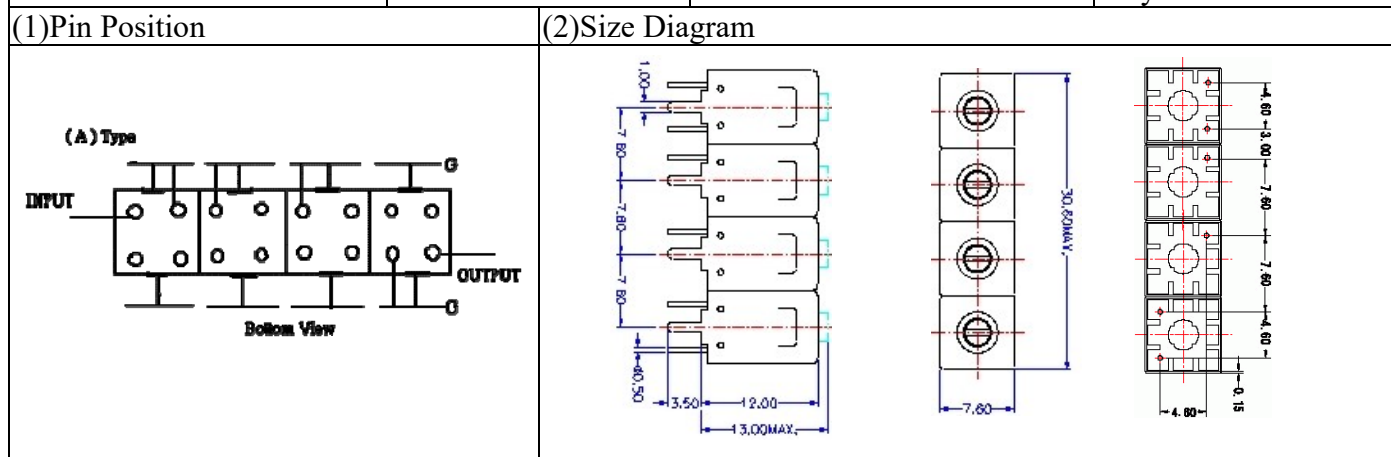


# VHF UHF Helical Filter Specification Sheet

Customer Name		Temwell's Part No.	TF64945A-847M-30M
Approval No. /dated	201904024CD	Temwell's Print Name	64945A 847M
Work Instruction No.	201904024CD	Date	May.03.2019



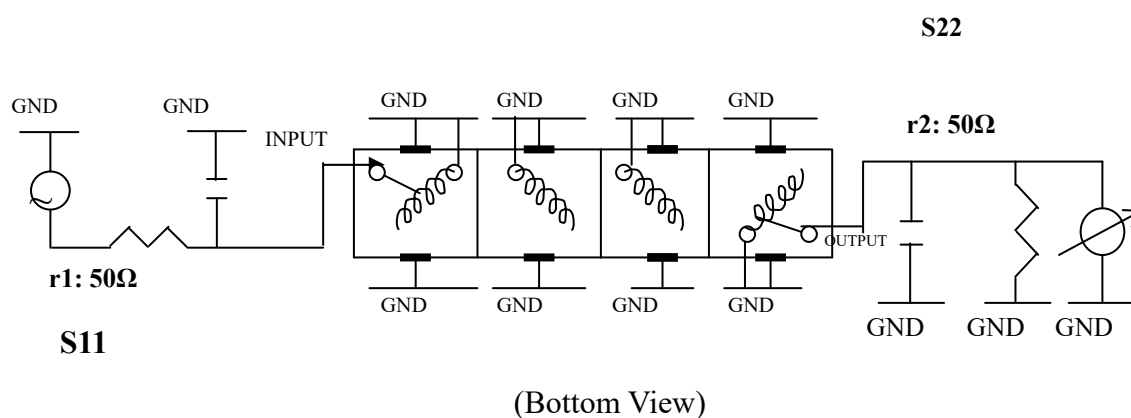
(3) Electric Characteristic			
Item		Specify	Performance
Center Freq.(Fo) +/- 0.5 %		847 MHz	847 MHz
Insertion Loss		Typ. 3.5 dB	2.72 dB
-3 dB Bandwidth		Typ. 30 MHz	32.4 MHz
Sensitivity (Attenuation)	Fo - 50 MHz	Typ. 46 dBc	51 dBc
	Fo + 50 MHz	Typ. 33 dBc	38 dBc
	Fo - ( )MHz	Typ. dBc	dBc
	Fo +( )MHz	Typ. dBc	dBc
Return Loss		Min. 12 dB	16.9 dB
Ripple		< 1 dB	dB
Impedance		In / Out : 50 Ω	In / Out : 50 Ω

(4) Torque for Tuning Screw > 60gf • cm

(5) Temperature Condition:	
Operating Temperature	0°C ~ +60°C
Storage Temperature	-20°C ~ +70°C

(6) Input Power > 1Watt

(7) Measuring Circuit: ※Easy to match Impedance S11/S22 50Ω by parallel with about(- -).



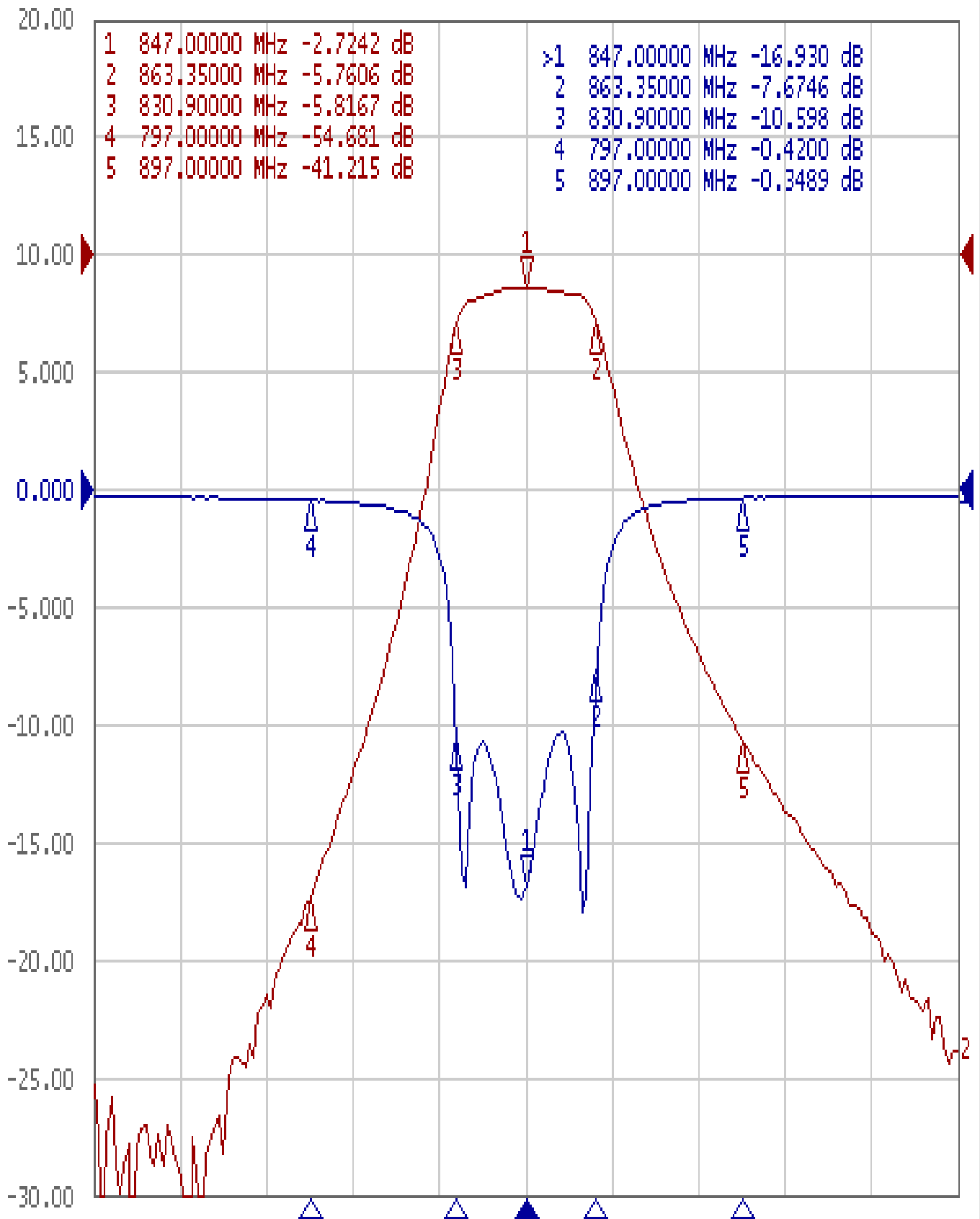
Approval	Supervisor	Designer	Aperture size
C.Y.Chang	C.K.Chang	W.W.Wang	7H4S(4*5.5)(5.58) 7H046LB4.3 聚 3

TEMWELL CORPORATION

# Performance-TF64945A-847M-30M

## 201904024CD

Tr1 511 Log Mag 5.000dB/ Ref 0.000dB [F2]  
Tr2 521 Log Mag 10.000dB/ Ref 0.000dB [F2]



1 Center 847 MHz

IFBW 70 kHz

Span 200 MHz Cor !