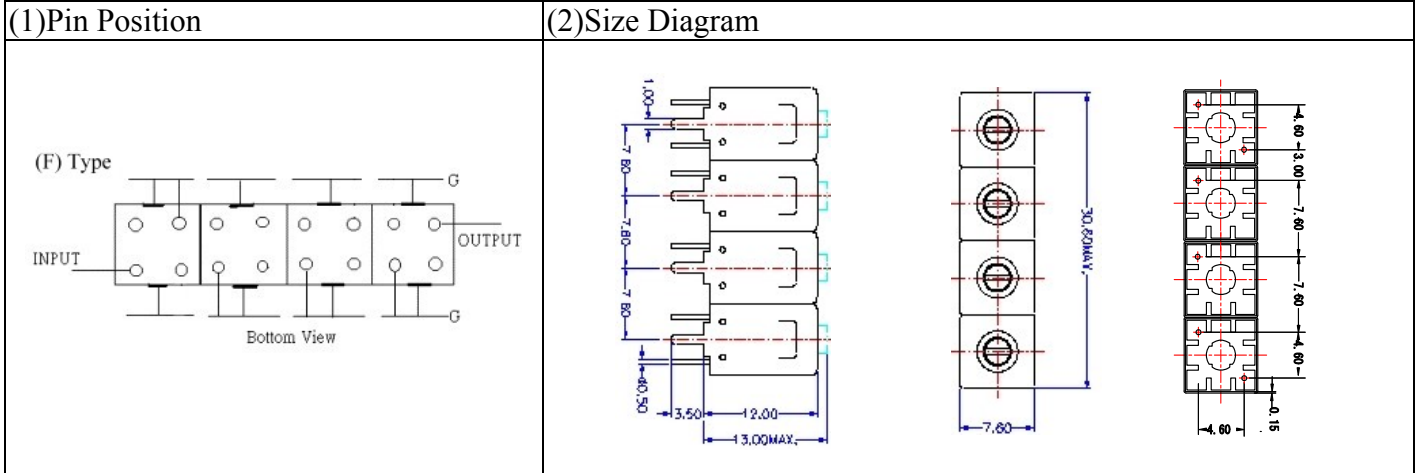


VHF UHF Helical Filter Specification Sheet

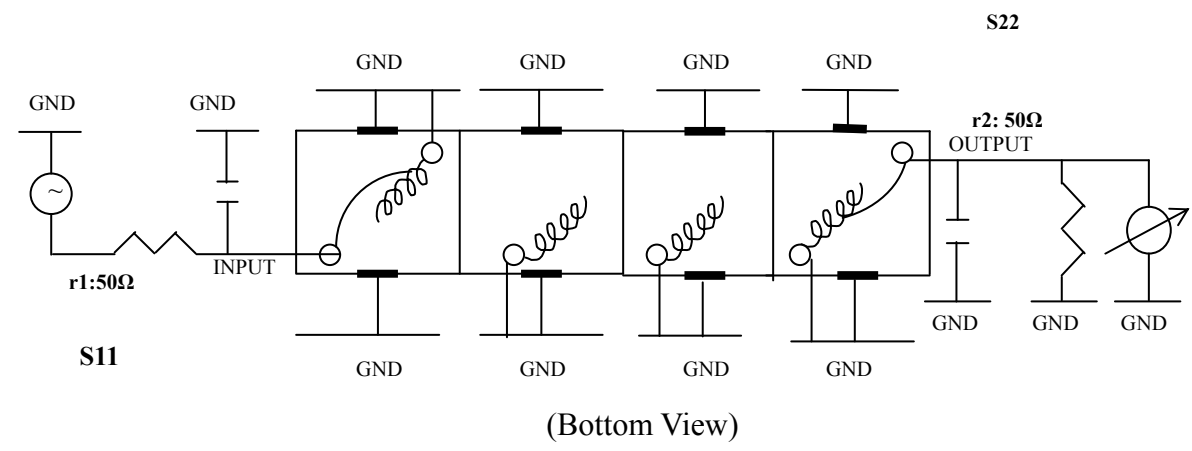
Customer Name		Temwell's Part No.	TF6495F-450M
Approval No. /dated	201703037CD	Temwell's Print name	6495F 450M
Work Instruction No.	201703037CD	Date	Mar.16.2017



(3) Electric Characteristic

Item	Specify	Performance	
Center Freq.(Fo) +/- 0.5 %	450 MHz	450 MHz	
Insertion Loss	Typ. 1.5 dB	0.70 dB	
-3 dB Bandwidth	Typ. 120 MHz	125.4 MHz	
Sensitivity (Attenuation)	Fo - (200) MHz	Typ. 56 dBc	66 dBc
	Fo + (200) MHz	Typ. 32 dBc	37 dBc
	Fo - () MHz	Typ. dBc	dBc
	Fo + () MHz	Typ. dBc	dBc
Return Loss	Min. 12 dB	17.7 dB	
Ripple	< 1 dB	dB	
Impedance	In / Out : 50 Ω	In / Out : 50 Ω	
(4) Torque for Tuning Screw	> 60gf · cm		
(5) Temperature Condition:			
Operating Temperature	0°C ~ +60°C		
Storage Temperature	-20°C ~ +70°C		
(6) Input Power	> 1Watt		

(7) Measuring Circuit: ※Easy to match Impedance S11/S22 50Ω by parallel with about(--).



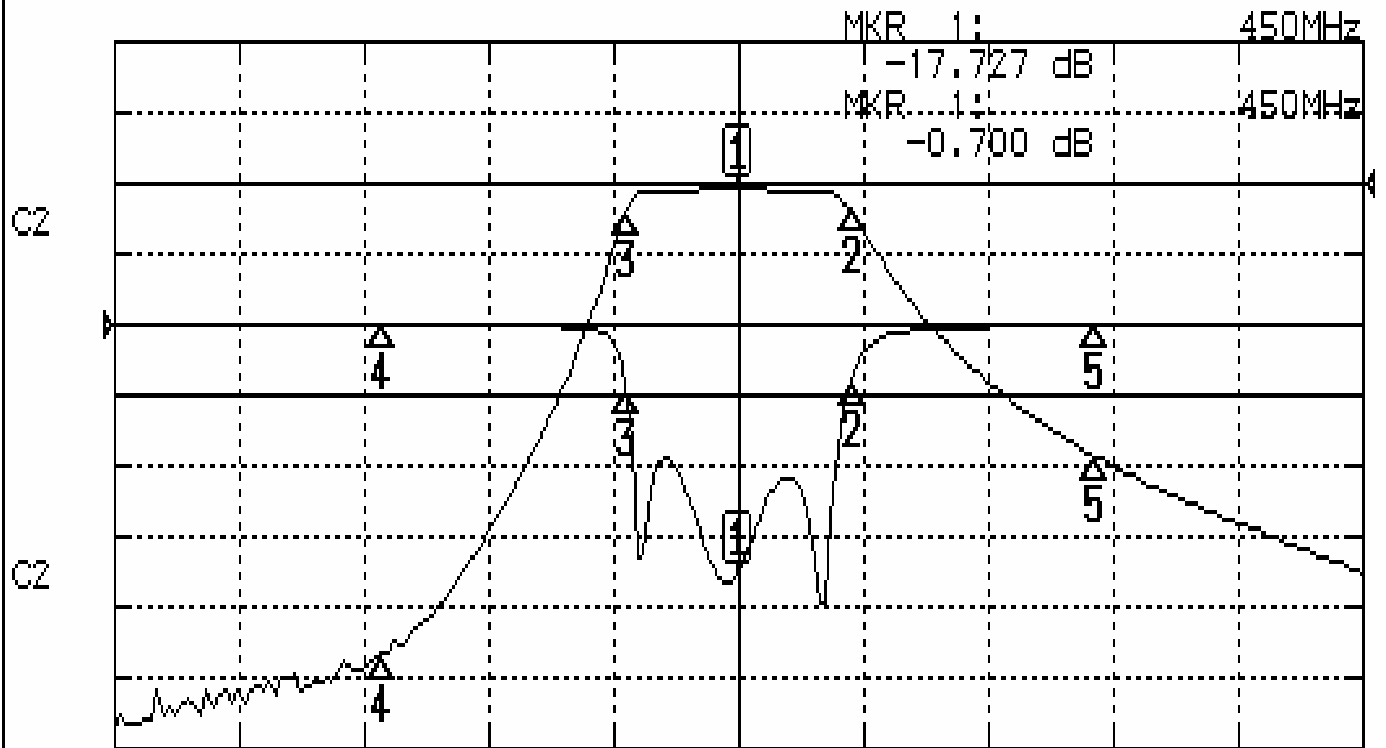
Approval	Supervisor	Designer	Aperture size
C.Y.Chang	C.K.Chang	C.H.Yeh	7H4S(4*8.0)(8.11) 7H046RB6.5 (J1)

TEMWELL CORPORATION

Performance-TF6495F-450M

201703037CD

CH1 S11 LOG MAG REF 0.000 dB 5.000 dB/
CH2 S21 LOG MAG REF 0.000 dB 10.000 dB/



CENTER 450MHz

[10.00 dBm]

SPAN 700MHz

CH1 MARKER LIST

1:	450.000MHz	-17.727	dB
2:	513.000MHz	-4.102	dB
3:	387.583MHz	-4.767	dB
4:	250.000MHz	-0.070	dB
5:	650.000MHz	-0.067	dB

CH2 MARKER LIST

1:	450.000MHz	-0.701	dB
2:	513.000MHz	-3.790	dB
3:	387.583MHz	-3.725	dB
4:	250.000MHz	-66.842	dB
5:	650.000MHz	-38.673	dB