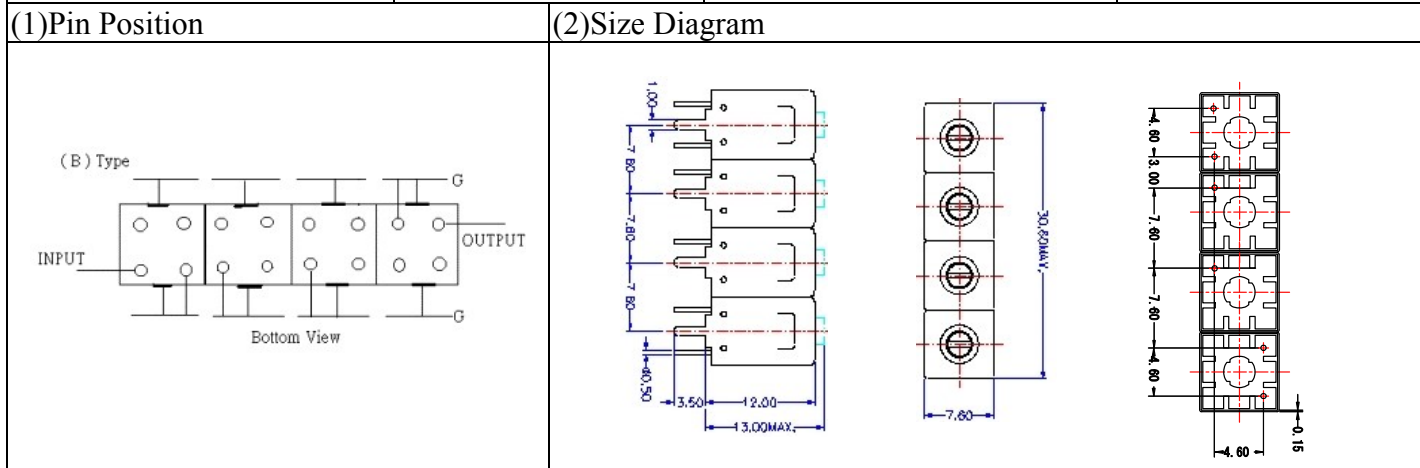


VHF UHF Helical Filter Specification Sheet

Customer Name		Temwell's Part No.	TF6498B-397M
Approval No. /dated	201702040CD	Temwell's Print Name	6498B 397M
Work Instruction No.	201702040CD	Date	Jun.09.2017



(3) Electric Characteristic

Item	Specify	Performance	
Center Freq.(Fo) +/- 0.5 %	397 MHz	397 MHz	
Insertion Loss	Typ. 2.0 dB	0.95 dB	
-3 dB Bandwidth	Typ. 57 MHz	60.0 MHz	
Sensitivity (Attenuation)	Fo - 100 MHz	Typ. 55 dBc	61 dBc
	Fo +100 MHz	Typ. 35 dBc	40 dBc
	Fo - ()MHz	Typ. dBc	dBc
	Fo +()MHz	Typ. dBc	dBc
Return Loss	Min. 12 dB	25.4 dB	
Ripple	< 1 dB	dB	
Impedance	In / Out : 50 Ω	In / Out : 50 Ω	

(4) Torque for Tuning Screw > 60gf • cm

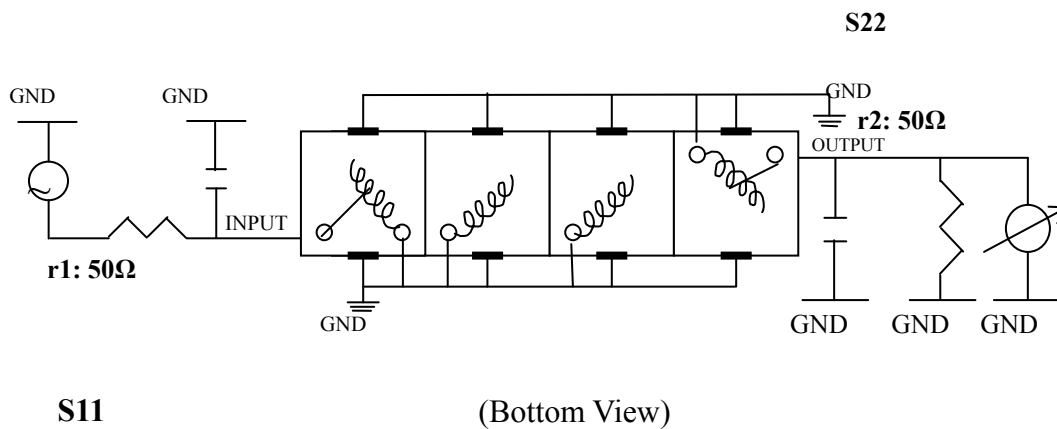
(5) Temperature Condition:

Operating Temperature 0°C ~ +60°C

Storage Temperature -20°C ~ +70°C

(6) Input Power > 1 Watt

(7) Measuring Circuit: ※Easy to match Impedance S11/S22 50Ω by parallel with about(- -).



Approval	Supervisor	Designer	Aperture size
C.Y.Chang	C.K.Chang	P.H.Chiang	7H4S(4*7.35)(7.40) 7H046LB5.5

TEMWELL CORPORATION

Performance-TF6498B-397M

201702040CD

Tr1 S11 Log Mag 5.000dB/ Ref 0.000dB [F2]
Tr2 S21 Log Mag 10.00dB/ Ref 0.000dB [F2]

