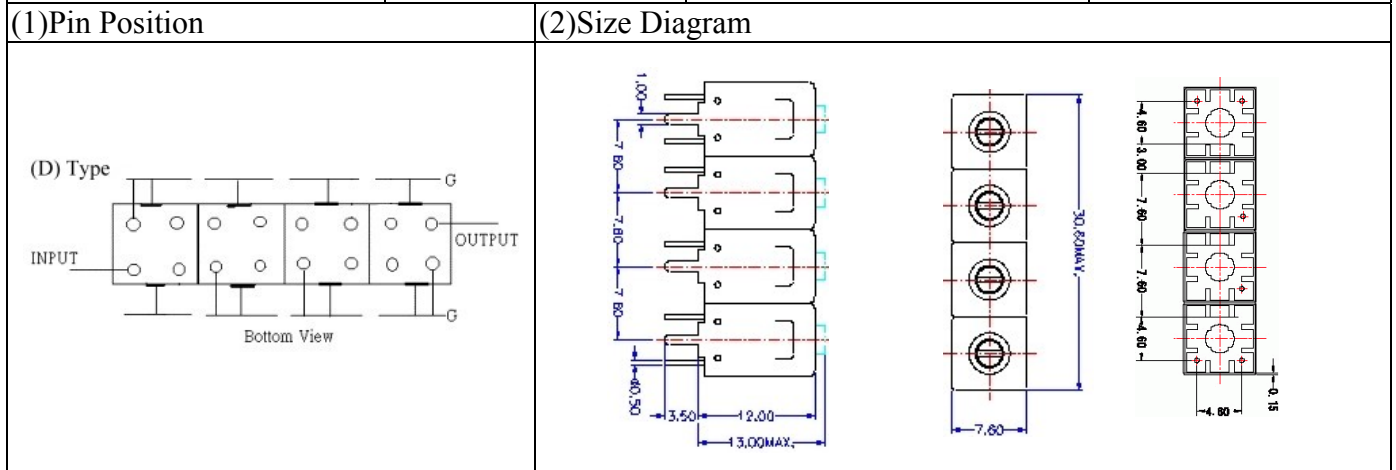
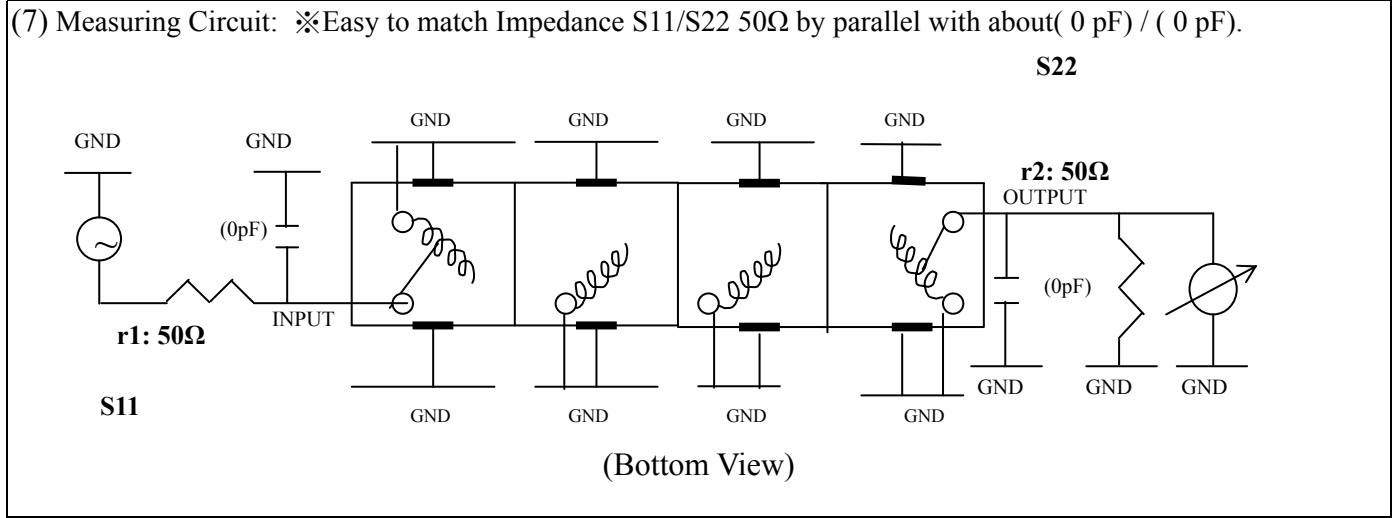


VHF UHF Helical Filter Specification Sheet

Customer Name		Temwell's Part No.	TF69101D-485M
Approval No. /dated	0902105APR	Customer's Print Name	69101D 485M
Work Instruction No.	200902105BD	Date	Feb.19.2009



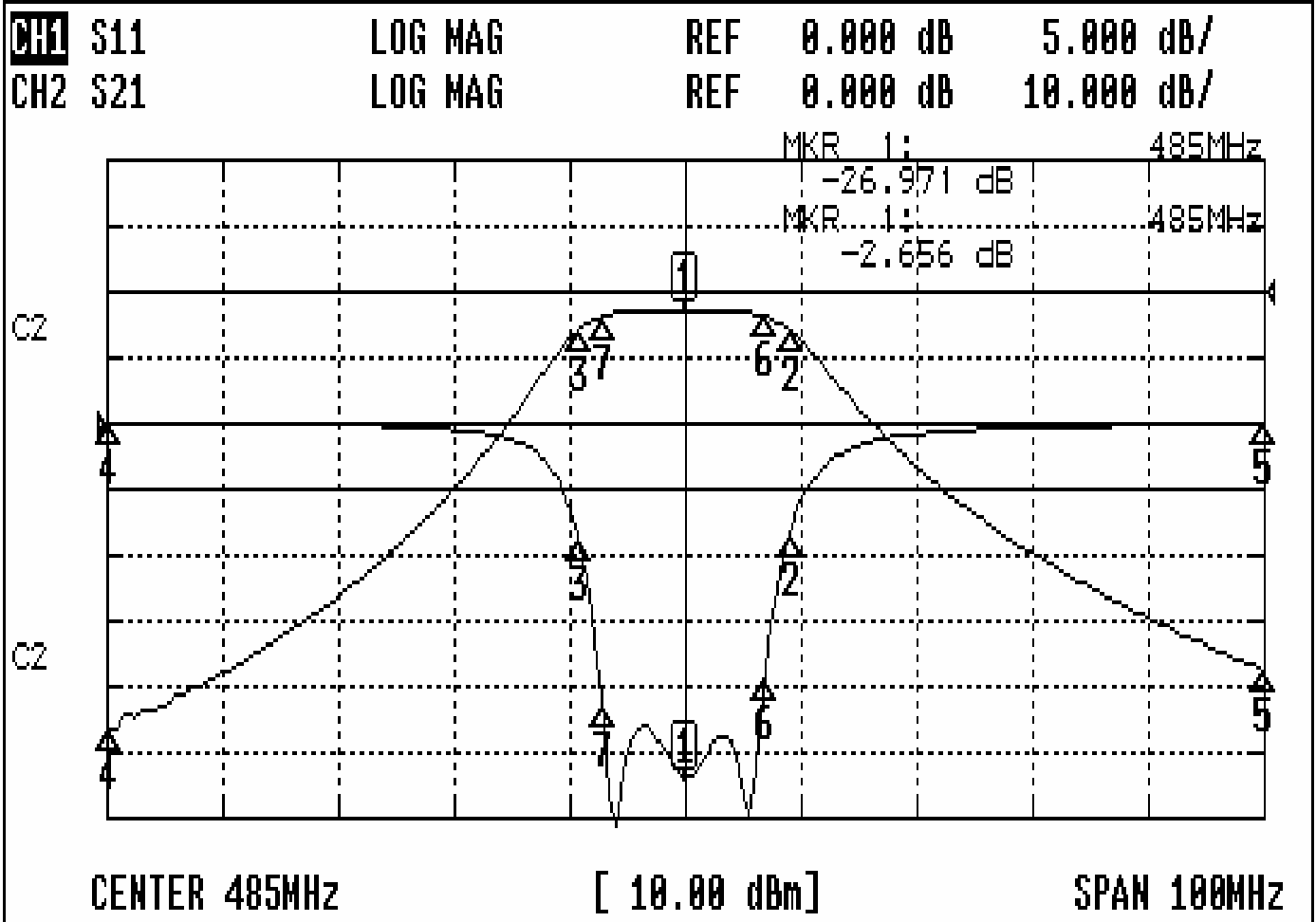
(3) Electric Characteristic			
Item		Specify	Performance
Center Freq.(Fo) +/- 0.5 %		485 MHz	485 MHz
Insertion Loss		Typ. 4.0 dB	2.65 dB
-3 dB Bandwidth		Typ. 14 MHz	18.2 MHz
Sensitivity (Attenuation)	Fo - 50 MHz	Typ. 60 dBc	63 dBc
	Fo + 50 MHz	Typ. 52 dBc	55 dBc
	Fo - ()MHz	Typ. dBc	dBc
	Fo +()MHz	Typ. dBc	dBc
Return Loss		Min. 12 dB	26.9 dB
Ripple		< 1 dB	dB
Impedance		In / Out : 50 Ω	In / Out : 50 Ω
(4) Torque for Tuning Screw		> 100gf · cm	
(5) Temperature Condition:			
Operating Temperature		0°C ~ +60°C	
Storage Temperature		-20°C ~ +70°C	
(6) Input Power		> 1Watt	



Approval	Supervisor	Designer	Aperture size
C.Y.Chang	C.S.Chang	W.W.Wang	7H4(4*6.5)(6.55)F 7H046RB4
TEMWELL CORPORATION			

Performance-TF69101D-485M

200902105BD



CH1 MARKER LIST

1:	485.000MHz	-26.971	dB
2:	494.000MHz	-1.000	dB
3:	475.000MHz	-1.000	dB
4:	435.000MHz	-1.000	dB
5:	535.000MHz	-1.000	dB
6:	491.916MHz	-19.299	dB
7:	477.916MHz	-21.609	dB

CH2 MARKER LIST

1:	485.000MHz	-2.656	dB
2:	494.000MHz	-1.112	dB
3:	475.000MHz	-1.112	dB
4:	435.000MHz	-1.112	dB
5:	535.000MHz	-1.112	dB
6:	491.916MHz	-6.277	dB
7:	477.916MHz	-6.600	dB