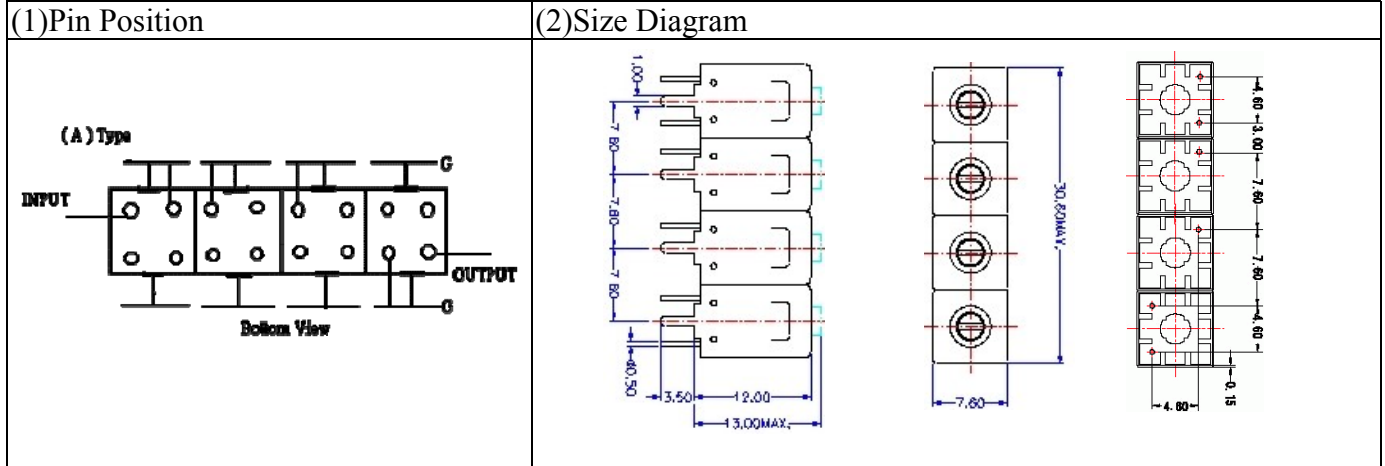


# VHF UHF Helical Filter Specification Sheet

|                      |          |                      |               |
|----------------------|----------|----------------------|---------------|
| Customer Name        |          | Temwell's Part No.   | TF69124A-600M |
| Approval No. /dated  |          | Temwell's Print Name |               |
| Work Instruction No. | 9908022B | Date                 | Oct .04, 2000 |



(3) Electric Characteristic

| Item                          | Specify         | Performance     |
|-------------------------------|-----------------|-----------------|
| Center Freq.(Fo ) +/- 0.5 %   | 600 MHz         | 600 MHz         |
| Insertion Loss                | Typ. 2.5 dB     | 1.8 dB          |
| -3 dB Bandwidth               | Typ. 35 MHz     | 40 MHz          |
| Sensitivity<br>(Attenuation ) | Fo -100 MHz     | Typ. 60 dBc     |
|                               | Fo +100 MHz     | Typ. 57 dBc     |
|                               | Fo - ( )MHz     | Typ. dBc        |
|                               | Fo +( )MHz      | Typ. dBc        |
| Return Loss                   | Min. 12 dB      | 16.5 dB         |
| Ripple                        | < 1 dB          |                 |
| Impedance                     | In / Out : 50 Ω | In / Out : 50 Ω |

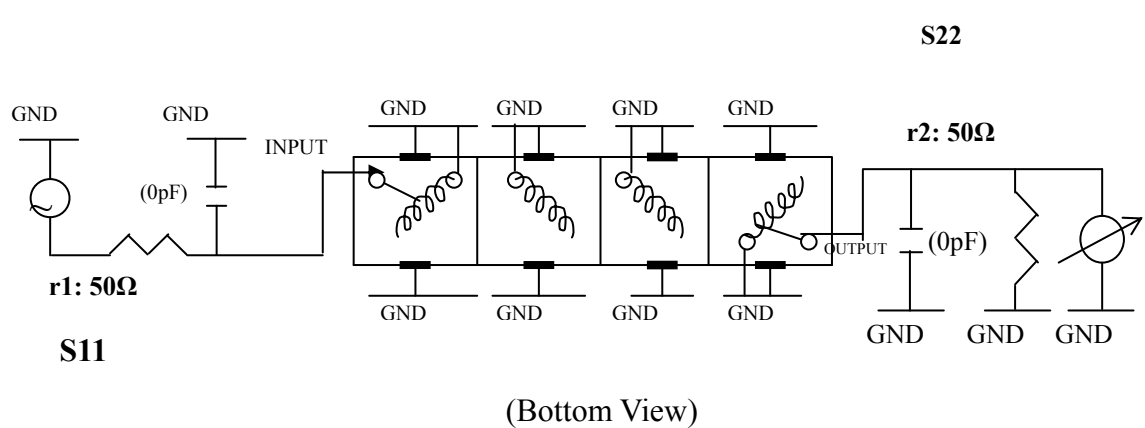
(4) Torque for Tuning Screw > 100gf • cm

(5) Temperature Condition:

|                       |               |
|-----------------------|---------------|
| Operating Temperature | 0°C ~ +60°C   |
| Storage Temperature   | -20°C ~ +70°C |

(6) Input Power > 1 Watt

(7) Measuring Circuit: ※Easy to match Impedance S11/S22 /50Ω by parallel with about(0pF) / (0pF).

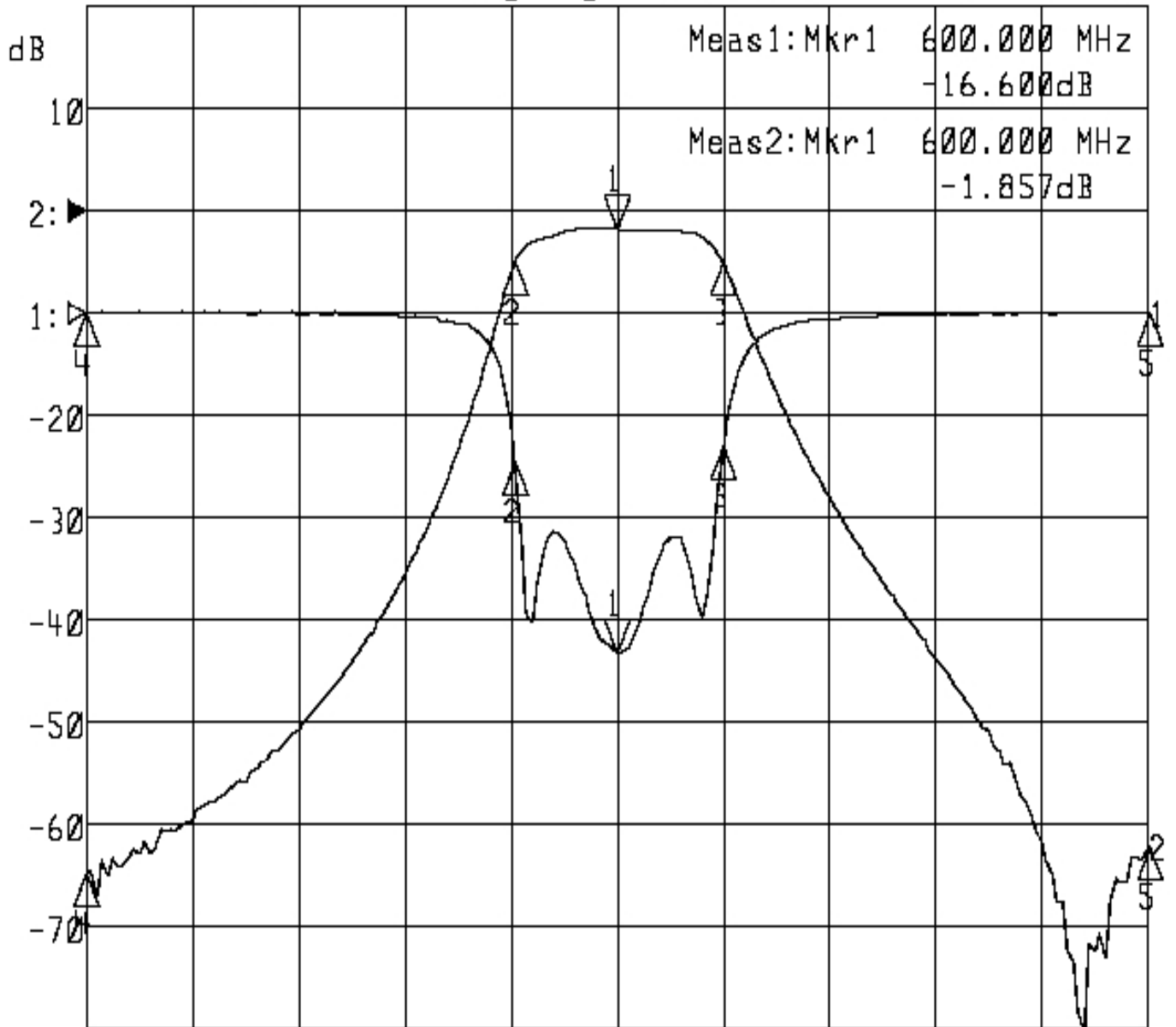


|           |            |          |                        |
|-----------|------------|----------|------------------------|
| Approval  | Supervisor | Designer | Aperture size          |
| C.Y.Chang | C.S.Chang  | C.M.Wong | 7H4S,4*5.5<br>7H046LB5 |

TEMWELL CORPORATION

# Performance-TF69124A-600M 9908022B

▶1:S11 Refl Port1 Log Mag 5.0 dB/ Ref 0.00 dB C  
▶2:S21 Fwd Trans Log Mag 10.0 dB/ Ref 0.00 dB C



Center 600.000 MHz

Span 200.000 MHz

| 1: Mkr (MHz) | dB      | 2: Mkr (MHz) | dB      |
|--------------|---------|--------------|---------|
| 1> 600.0000  | -16.600 | 1> 600.0000  | -1.857  |
| 2: 580.8000  | -7.201  | 2: 580.8000  | -5.018  |
| 3: 620.0000  | -6.516  | 3: 620.0000  | -5.104  |
| 4: 500.0000  | 0.029   | 4: 500.0000  | -64.724 |
| 5: 700.0000  | 0.002   | 5: 700.0000  | -62.235 |