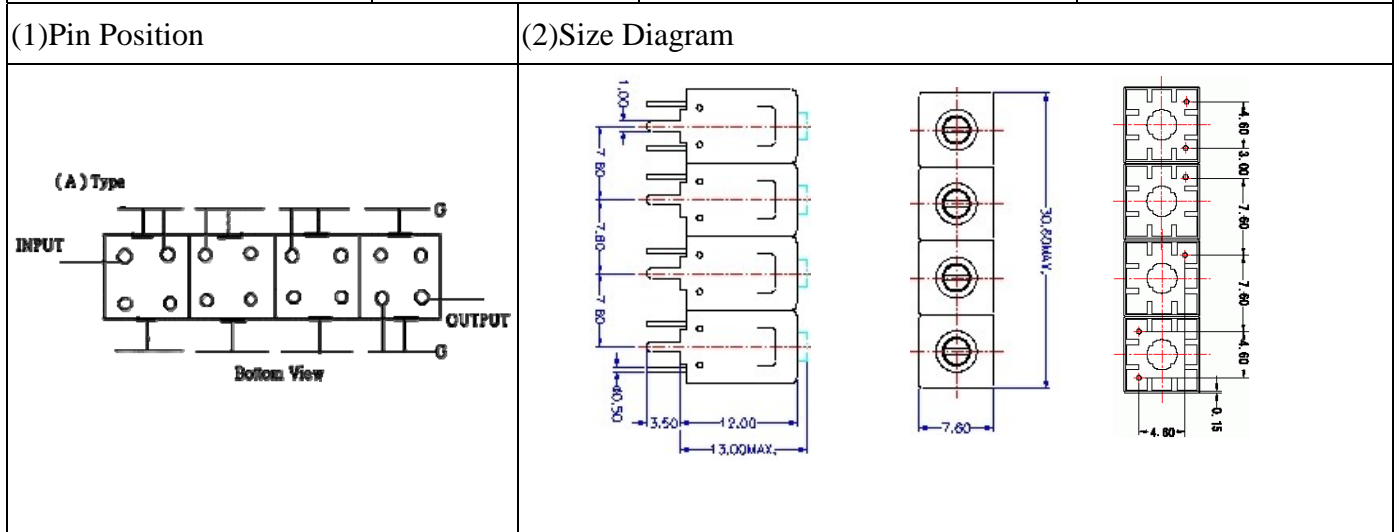


VHF UHF Helical Filter Specification Sheet

Customer Name		Temwell's Part No.	TF69147A-815M
Approval No. /dated	9907020D	Acceptable Specify Fo Range	801~830MHz
Work Instruction No.	9907020D	Date	Sep.1,1999



(3)Electric Charasteric

Item	Specify	Performance
Center Freq.(Fo) +/- 0.5 %	815 MHz	815 MHz
Insertion Loss	Typ. 8.5 dB	7.77 dB
-3 dB Bandwidth	Typ. 6 MHz	10 MHz
Sensitivity (Attenuation)	Fo - 50 MHz	Typ. 56 dBc
	Fo + 50 MHz	Typ. 40 dBc
	Fo - ()MHz	Typ. dBc
	Fo + ()MHz	Typ. dBc
Return Loss	Min. 12 dB	22.8 dB
Ripple	< 1 dB	dB
Impedance	In / Out : 50 Ω	In / Out : 50 Ω

(4)Torque for Tuning Screw > 100gf • cm

(5)Temperature Condition:

Operating Temperature	0°C ~ +60°C
Storage Temperature	-20°C ~ +70°C

(6)Input Power > 1Watt

Approval	Supervisor	Designer	Aperture size
C. Y. Chang	C. S. Chang	C. S. Chang	7H4S(4*4.65) 7H046LB4

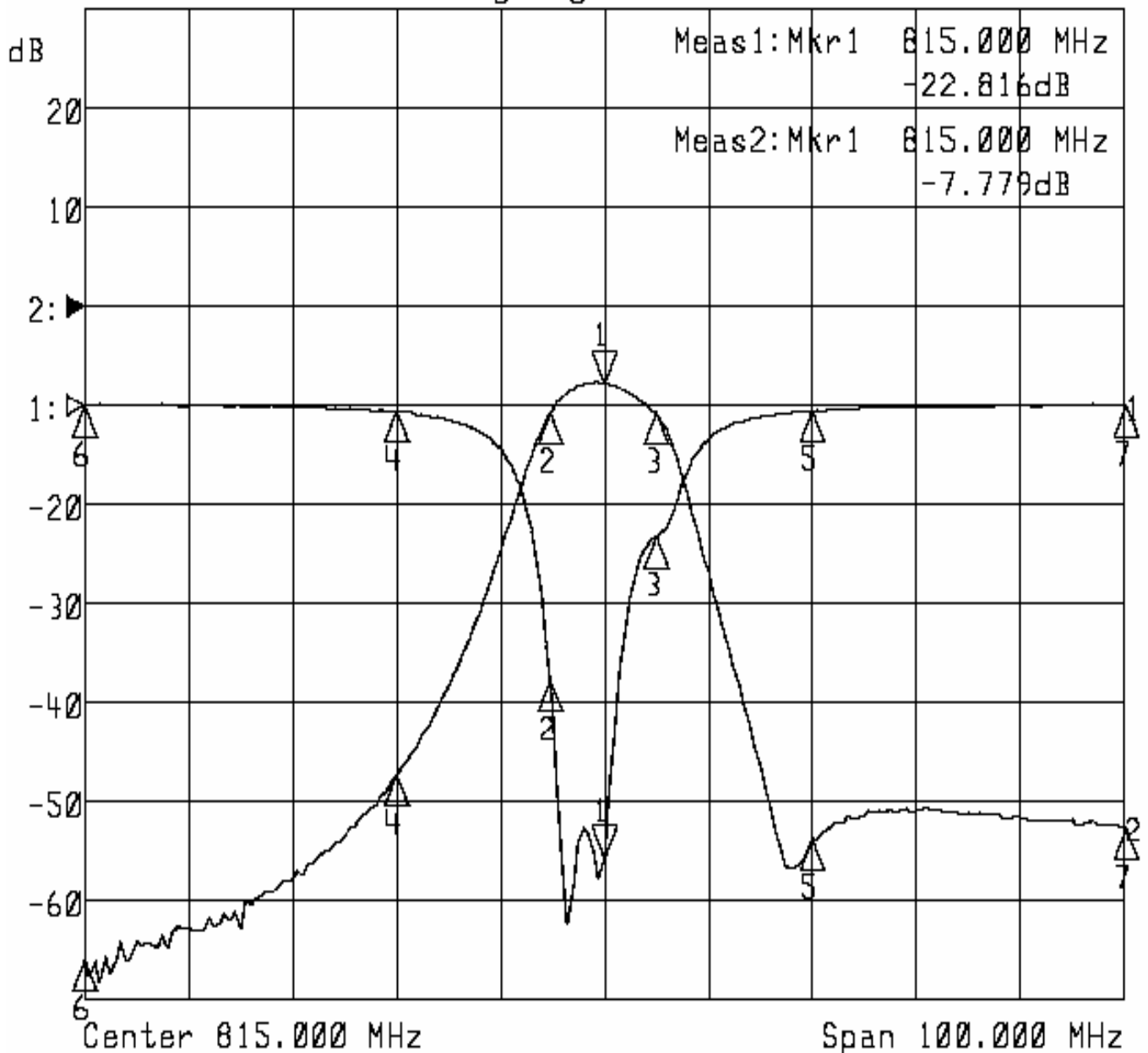
TEMWELL CORPORATION

Performance-TF69147A-815M

9907020D

▶1:S11 Refl Port1 Log Mag 5.0 dB/ Ref 0.00 dB C

▶2:S21 Fwd Trans Log Mag 10.0 dB/ Ref 0.00 dB C



1: Mkr (MHz)	dB	2: Mkr (MHz)	dB
1> 815.0000	-22.816	1> 815.0000	-7.779
2: 809.8000	-13.818	2: 809.8000	-10.791
3: 819.9000	-6.650	3: 819.9000	-10.751
4: 795.0000	-0.304	4: 795.0000	-47.370
5: 835.0000	-0.293	5: 835.0000	-53.702
6: 765.0000	0.039	6: 765.0000	-66.118
7: 865.0000	-0.004	7: 865.0000	-52.740