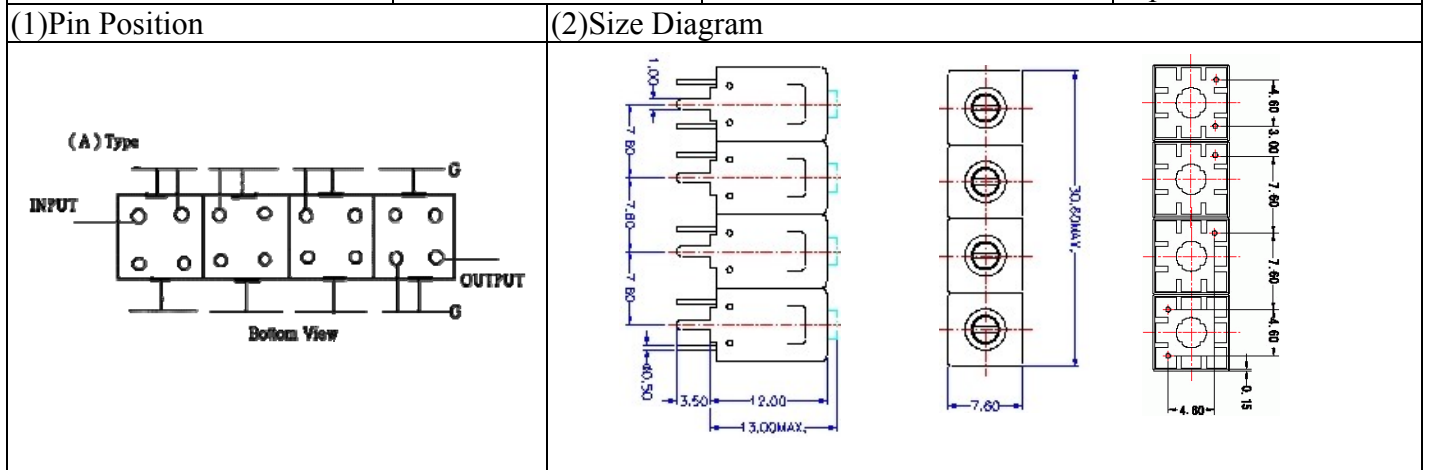
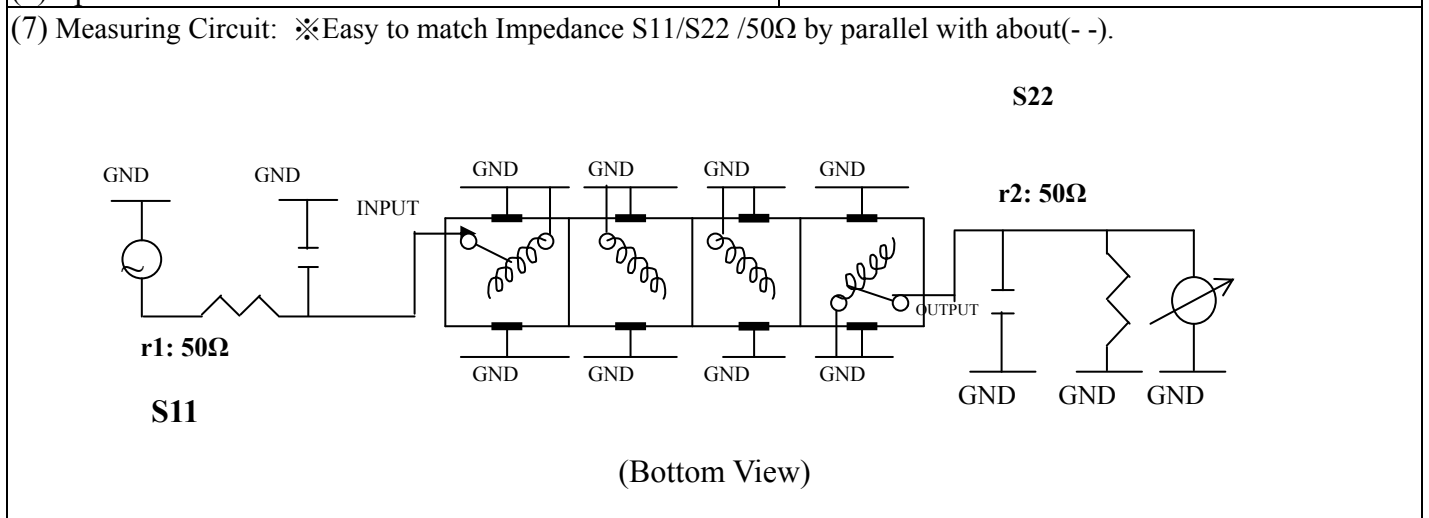


VHF UHF Helical Filter Specification Sheet

Customer Name		Temwell's Part No.	TF69152A-940M
Approval No. /dated	201708088CD	Temwell's Print Name	69152A 940M
Work Instruction No.	201708088CD	Date	Sep.13.2017



(3) Electric Characteristic					
Item		Specify		Performance	
Center Freq.(Fo) +/- 0.5 %		940 MHz		940 MHz	
Insertion Loss		Typ.	4.0 dB	3.00 dB	
-3 dB Bandwidth		Typ.	30 MHz	35.1 MHz	
Sensitivity (Attenuation)	Fo - 50 MHz	Typ.	44 dBc	49 dBc	
	Fo + 50 MHz	Typ.	31 dBc	36 dBc	
	Fo - ()MHz	Typ.	dBc	dBc	
	Fo +()MHz	Typ.	dBc	dBc	
Return Loss		Min.	12 dB	29.8 dB	
Ripple		< 1 dB		dB	
Impedance		In / Out : 50 Ω		In / Out : 50 Ω	
(4) Torque for Tuning Screw		> 60gf · cm			
(5) Temperature Condition:					
Operating Temperature		0°C ~ +60°C			
Storage Temperature		-20°C ~ +70°C			
(6) Input Power		> 1 Watt			



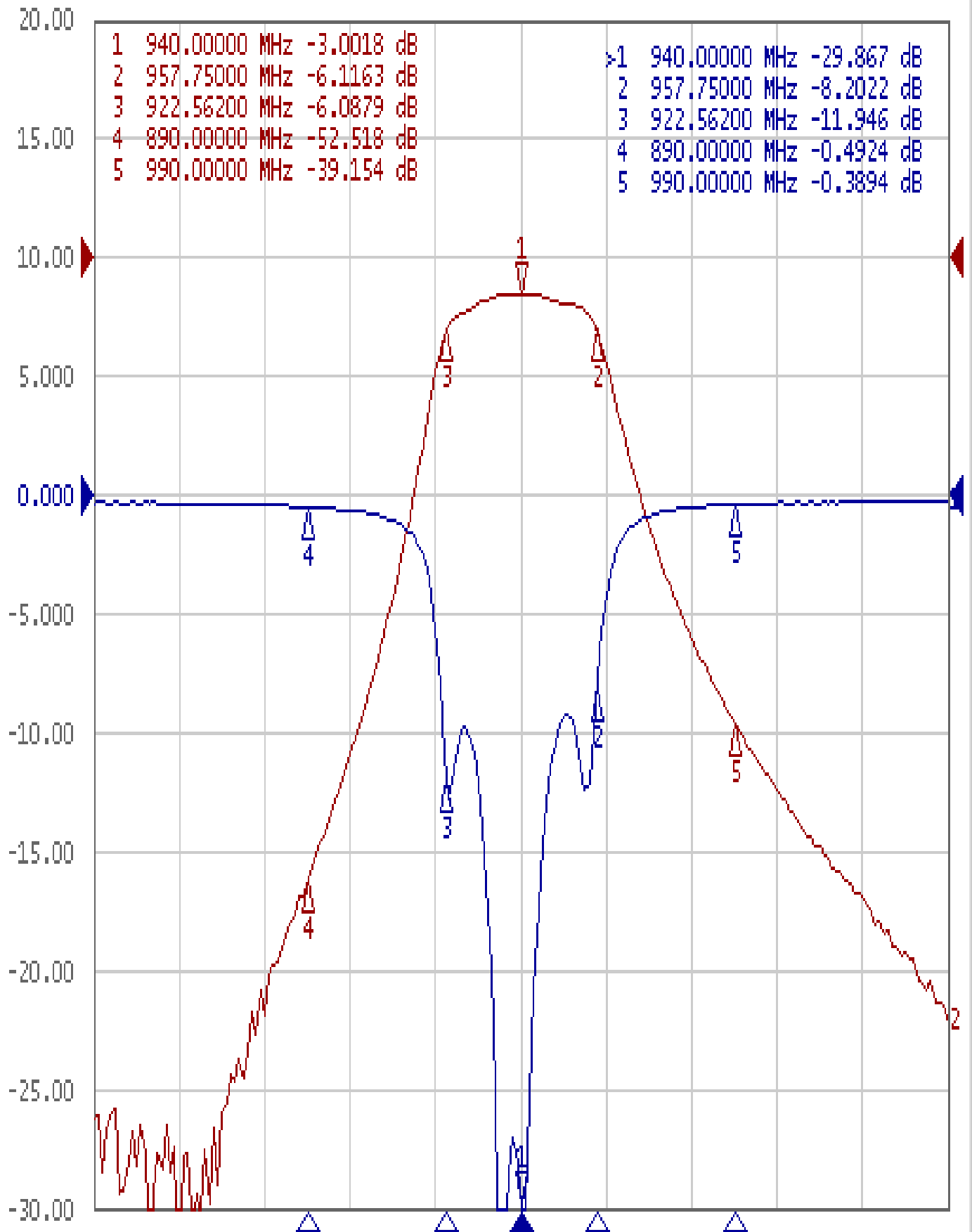
Approval	Supervisor	Designer	Aperture size
C.Y.Chang	C.K.Chang	W.W.Wang	7H4S(4*6.5)(6.53) 7H046LB4.3 聚 3(J1)

TEMWELL CORPORATION

Performance-TF69152A-940M

201708088CD

Tr1 S11 Log Mag 5.000dB/ Ref 0.000dB [F2]
Tr2 S21 Log Mag 10.00dB/ Ref 0.000dB [F2]



1 Center 940 MHz

IFBW 70 kHz

Span 200 MHz Cor !