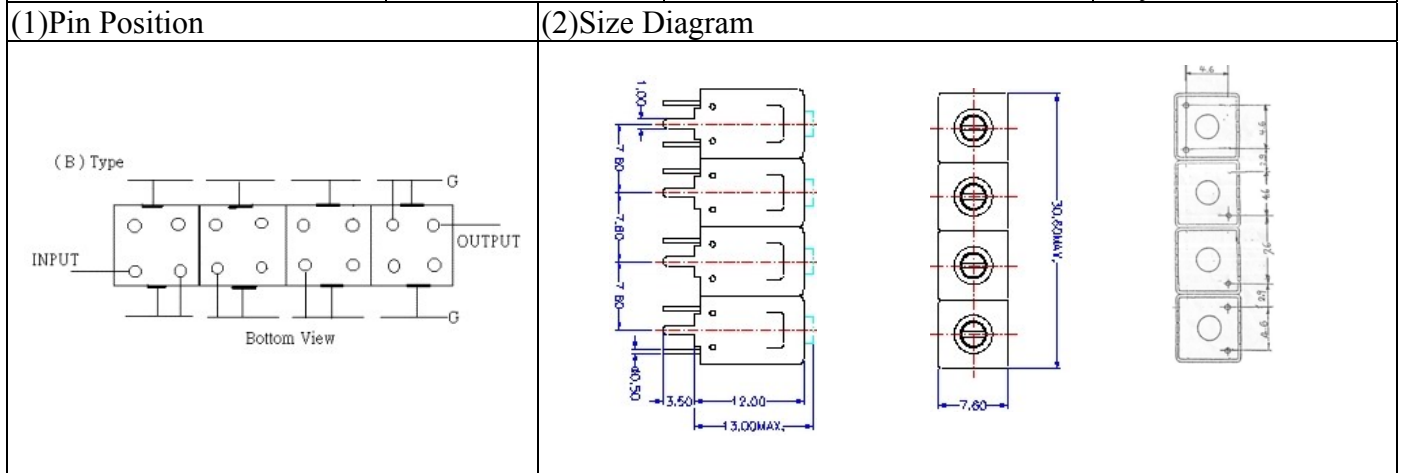


VHF UHF Helical Filter Specification Sheet

Customer Name		Temwell's Part No.	TF69157B-447.5M
Approval No. /dated	0704060APR	Acceptable Specify Fo Range	401~455MHz
Work Instruction No.	0704060DB	Date	May.02.2007



(3) Electric Characteristic

Item	Specify	Performance	
Center Freq.(Fo) +/- 0.5 %	447.5 MHz	447.5 MHz	
Insertion Loss	Typ. 3.5 dB	2.55 dB	
-3 dB Bandwidth	Typ. 17 MHz	20.4 MHz	
Sensitivity (Attenuation)	Fo - 20 MHz	Typ. 28 dBc	31 dBc
	Fo + 20 MHz	Typ. 21 dBc	24 dBc
	Fo - ()MHz	Typ. dBc	dBc
	Fo +()MHz	Typ. dBc	dBc
Return Loss	Min. 12 dB	22.3 dB	
Ripple	< 1 dB	dB	
Impedance	In / Out : 50 Ω	In / Out : 50 Ω	

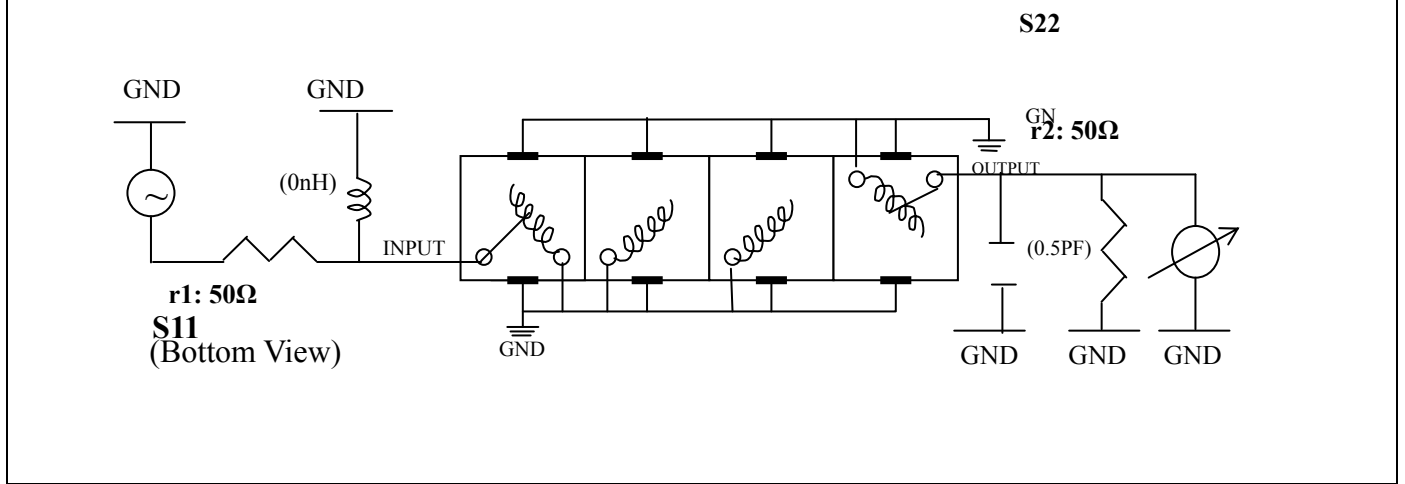
(4) Torque for Tuning Screw > 100gf · cm

(5) Temperature Condition:

Operating Temperature	0°C ~ +60°C
Storage Temperature	-20°C ~ +70°C

(6) Input Power > 1Watt

(7) Measuring Circuit: ※Easy to match Impedance S11/S22 50Ω by parallel with about(0)

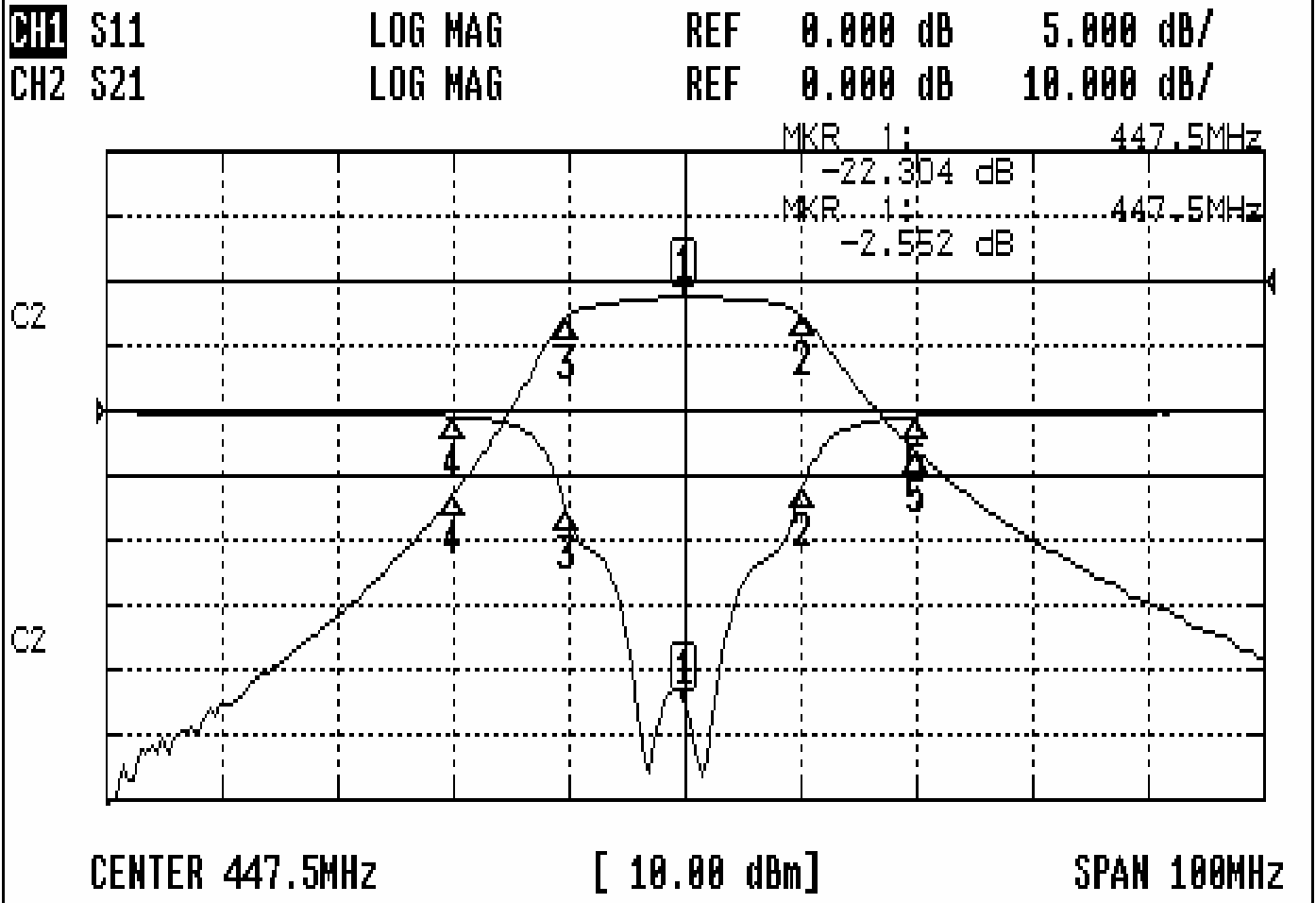


Approval	Supervisor	Designer	Aperture size
C.Y.Chang	C.S.Chang	P.H.Chiang	7H4(4*6.5)(5.58) 7H046LB4 聚 3

TEMWELL CORPORATION

Performance-TF69157B-447.5M

0704060DB



CH1 MARKER LIST

1:	447.500MHz	-22.304 dB
2:	457.750MHz	-15.934 dB
3:	437.333MHz	-7.862 dB
4:	427.500MHz	-10.472 dB
5:	467.500MHz	-0.464 dB

CH2 MARKER LIST

1:	447.500MHz	-2.552 dB
2:	457.750MHz	-11.600 dB
3:	437.333MHz	-11.548 dB
4:	427.500MHz	-33.124 dB
5:	467.500MHz	-26.260 dB