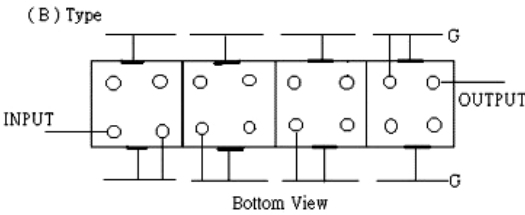
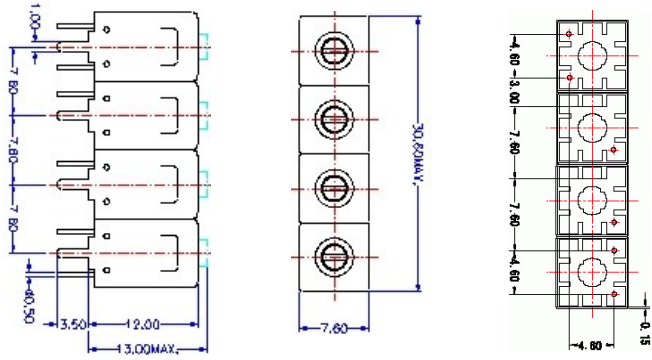


# VHF UHF Helical Filter Specification Sheet

Customer Name		Temwell's Part No.	TF69179B-292.5M
Approval No. /dated	980711APR	Acceptable Specify Fo. Range	276~310MHz
Work Instruction No.	980711D	Date	Jun.10,1998

<p>(1)Pin Position</p>  <p style="text-align: center;">Bottom View</p>	<p>(2)Size Diagram</p> 
---	---

**(3)Electric Character**

Item	Specify	Performance
Center Freq.(Fo ) +/- 0.5 %	292.5 MHz	292.5 MHz
Insertion Loss	Typ. 3.0 dB	2.10 dB
-3 dB Bandwidth	Typ. 15 MHz	18 MHz
Sensitivity (Attenuation)	Fo - 50 MHz	Typ. 78 dBc
	Fo + 50 MHz	Typ. 52 dBc
	Fo - ( )MHz	Typ. dBc
	Fo + ( )MHz	Typ. dBc
Return Loss	Min. 12 dB	30.8 dB
Ripple	< 1 dB	dB
Impedance	In / Out : 50 Ω	In / Out : 50 Ω

(4)Torque for Tuning Screw > 100gf • cm

**(5)Temperature Condition:**

Operating Temperature	0°C ~ +60°C
Storage Temperature	-20°C ~ +70°C

(6)Input Power > 1Watt

Approval	Supervisor	Designer	Aperture size
C. Y. Chang	C. S. Chang	C. S. Chang	7H4S(4*6.5) 7H046LB4

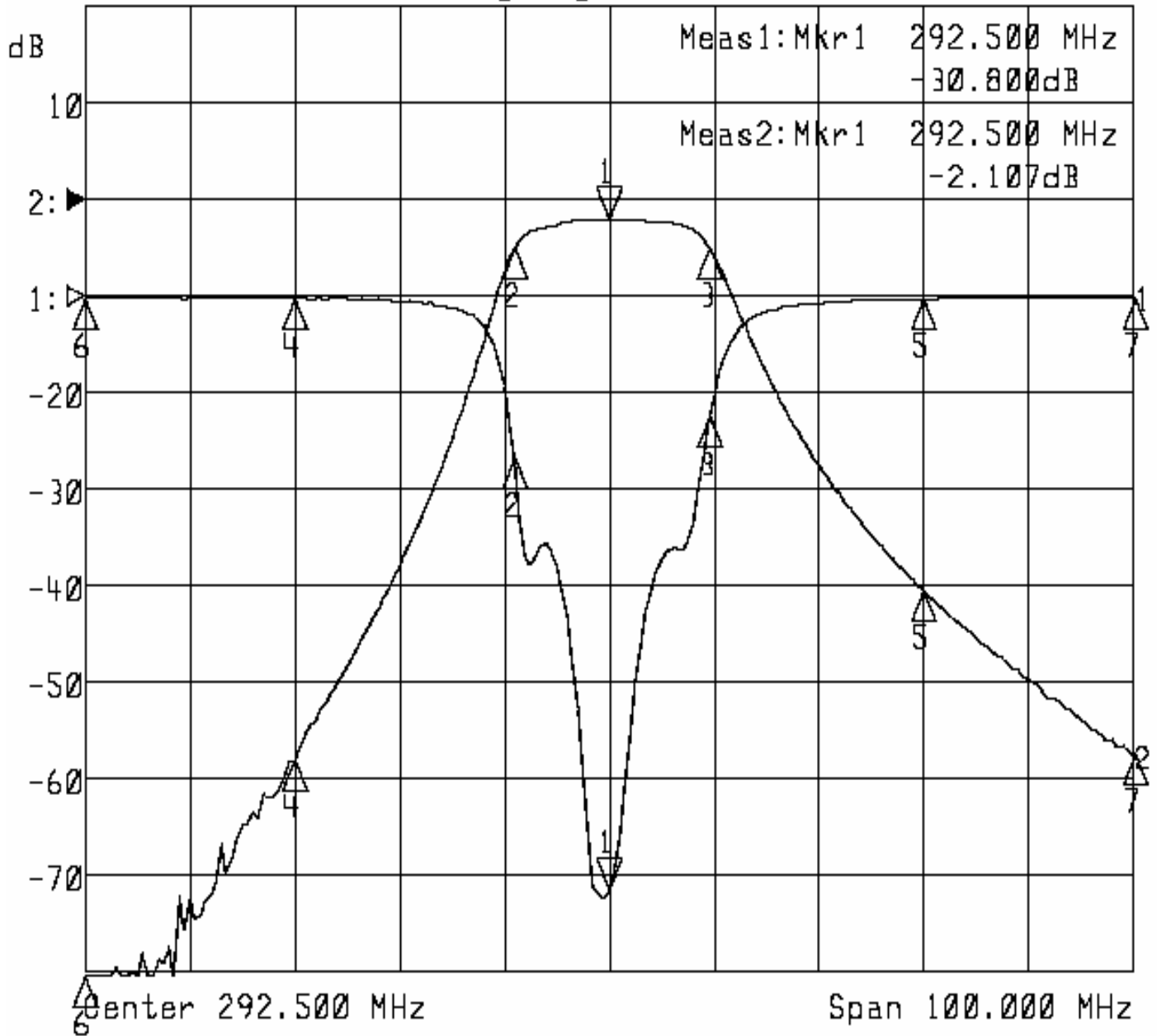
TEMWELL CORPORATION

# Performance-TF69179B-292.5M

## 980711D

▷1:S11 Refl Port1 Log Mag 5.0 dB/ Ref 0.00 dB C

▶2:S21 Fwd Trans Log Mag 10.0 dB/ Ref 0.00 dB C



1: Mkr (MHz)	dB	2: Mkr (MHz)	dB
1> 292.5000	-30.800	1> 292.5000	-2.107
2: 283.4333	-8.395	2: 283.4333	-5.107
3: 302.1000	-6.272	3: 302.1000	-5.020
4: 262.5000	-0.132	4: 262.5000	-58.094
5: 322.5000	-0.185	5: 322.5000	-40.468
6: 242.5000	-0.063	6: 242.5000	-83.217
7: 342.5000	-0.082	7: 342.5000	-57.585