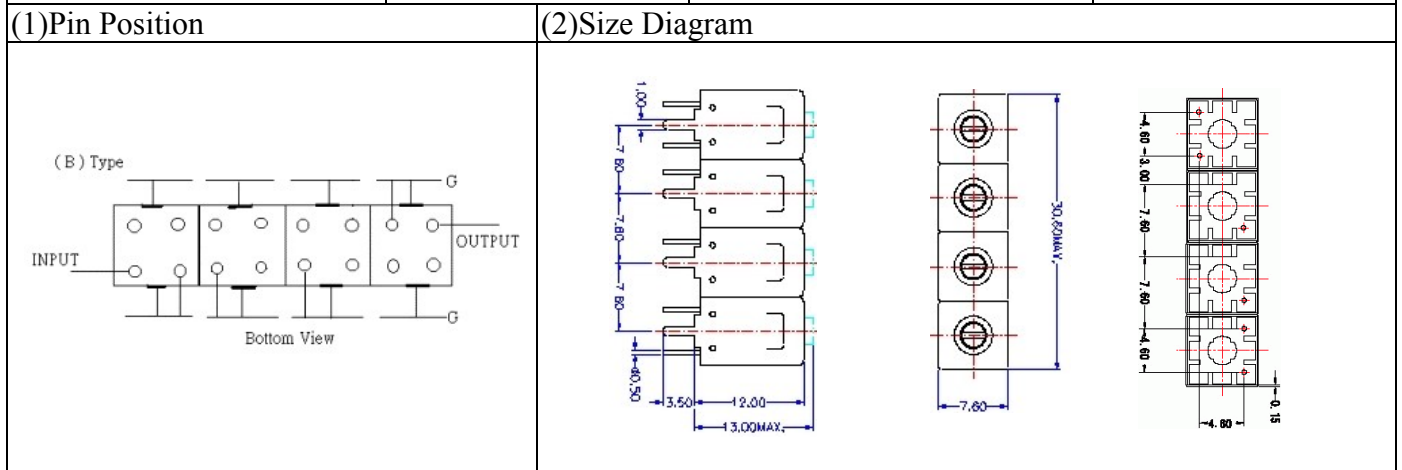


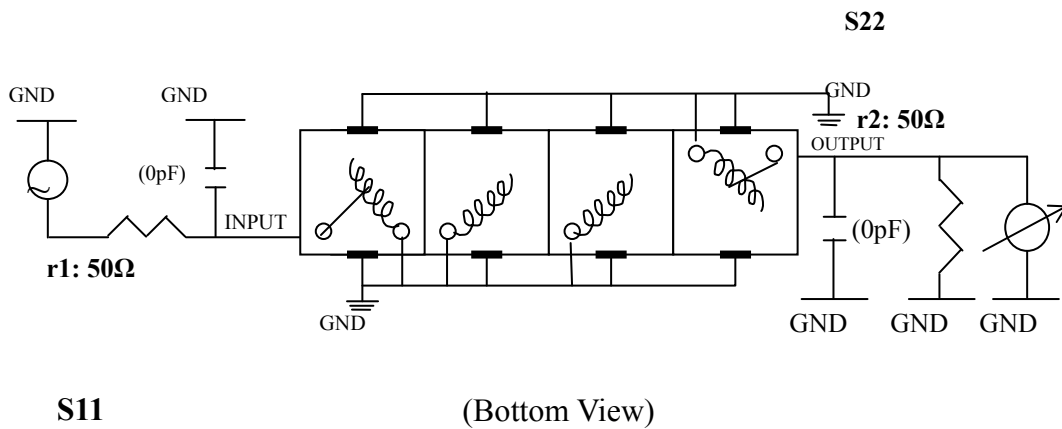
VHF UHF Helical Filter Specification Sheet

Customer Name		Temwell's Part No.	TF69182B1-152.5M
Approval No. /dated	0901078CD	Temwell's Print Name	69182B1 152.5M
Work Instruction No.	200901078CD	Date	Feb.24.2009



(3) Electric Characteristic			
Item	Specify	Performance	
Center Freq.(Fo) +/- 0.5 %	152.5 MHz	152.5 MHz	
Insertion Loss	Typ. 3.0 dB	1.61 dB	
-3 dB Bandwidth	Typ. 18 MHz	20.6 MHz	
Sensitivity (Attenuation)	Fo - 20 MHz	Typ. 26 dBc	29 dBc
	Fo + 20 MHz	Typ. 22 dBc	25 dBc
	Fo - ()MHz	Typ. dBc	dBc
	Fo +()MHz	Typ. dBc	dBc
Return Loss	Min. 12 dB	23.4 dB	
Ripple	< 1 dB	dB	
Impedance	In / Out : 50 Ω	In / Out : 50 Ω	
(4) Torque for Tuning Screw	> 100gf • cm		
(5) Temperature Condition:			
Operating Temperature	0°C ~ +60°C		
Storage Temperature	-20°C ~ +70°C		
(6) Input Power	> 1Watt		

(7) Measuring Circuit: ※ Easy to match Impedance S11/S22 50Ω/ by parallel with about(0pF) / (0 pF).



Approval	Supervisor	Designer	Aperture size
C.Y.Chang	C.S.Chang	C.S.Chang	7H4(4*5.5F)(6.62) (7H024LB6.5)

TEMWELL CORPORATION

Performance-TF69182B1-152.5M

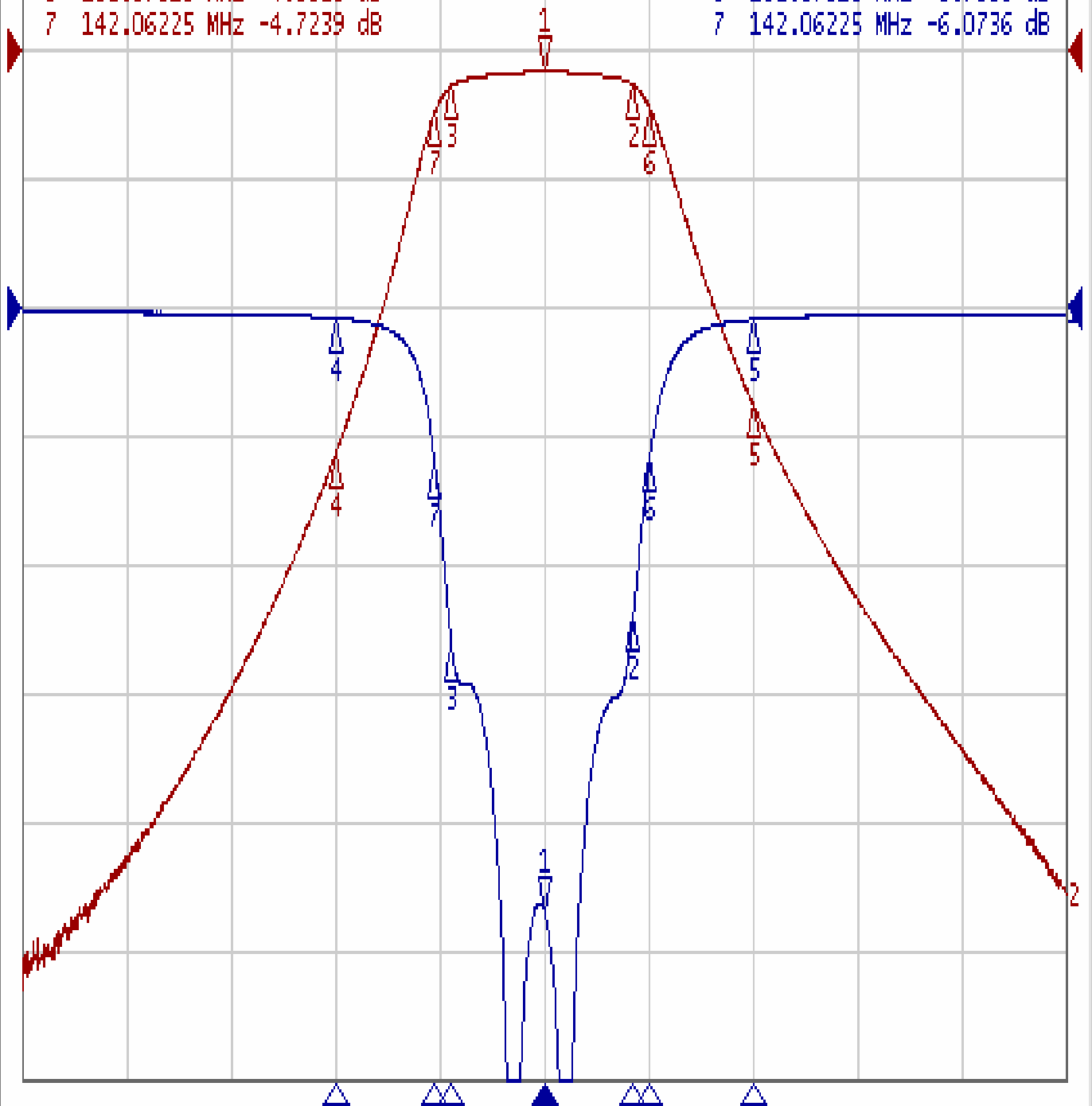
200901078CD

Tr1 S11 Log Mag 5.000dB/ Ref 0.000dB [F3]

Tr2 S21 Log Mag 10.00dB/ Ref 0.000dB [F3]

1	152.50000 MHz	-1.6177 dB
2	161.07413 MHz	-2.6249 dB
3	143.66325 MHz	-2.6541 dB
4	132.50000 MHz	-31.415 dB
5	172.50000 MHz	-27.456 dB
6	162.67513 MHz	-4.5526 dB
7	142.06225 MHz	-4.7239 dB

>1	152.50000 MHz	-23.424 dB
2	161.07413 MHz	-11.930 dB
3	143.66325 MHz	-13.152 dB
4	132.50000 MHz	-0.3775 dB
5	172.50000 MHz	-0.4335 dB
6	162.67513 MHz	-5.7555 dB
7	142.06225 MHz	-6.0736 dB



1 Center 152.5 MHz

IFBW 10 kHz

Span 100 MHz

Sim C7 !