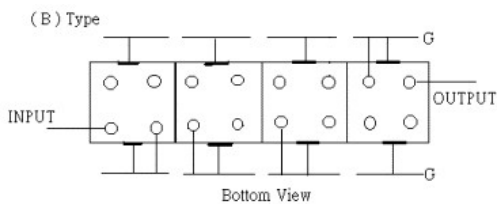
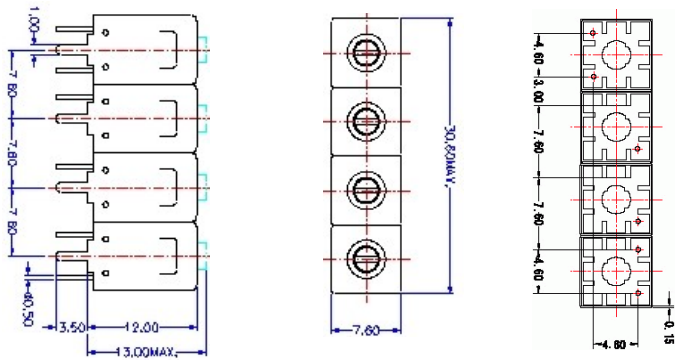


VHF UHF Helical Filter Specification Sheet

Customer Name		Temwell's Part No.	TF69205B1-134M
Approval No. /dated	0806083CD	Acceptable Fo Specify Range	126-145MHz
Work Instruction No.	0806083CD	Date	June.02.2008

(1) Pin Position	(2) Size Diagram
	

(3) Electric Characteristic

Item	Specify	Performance	
Center Freq.(Fo) +/- 0.5 %	134 MHz	134 MHz	
Insertion Loss	Typ. 4.0 dB	2.83 dB	
-3 dB Bandwidth	Typ. 8 MHz	9.8 MHz	
Sensitivity (Attenuation)	Fo - 30 MHz	Typ. 65 dBc	72 dBc
	Fo + 30 MHz	Typ. 60 dBc	67 dBc
	Fo - ()MHz	Typ. dBc	dBc
	Fo +()MHz	Typ. dBc	dBc
Return Loss	Min. 12 dB	34.4 dB	
Ripple	< 1 dB	dB	
Impedance	In / Out : 50 Ω	In / Out : 50 Ω	

(4) Torque for Tuning Screw > 100gf · cm

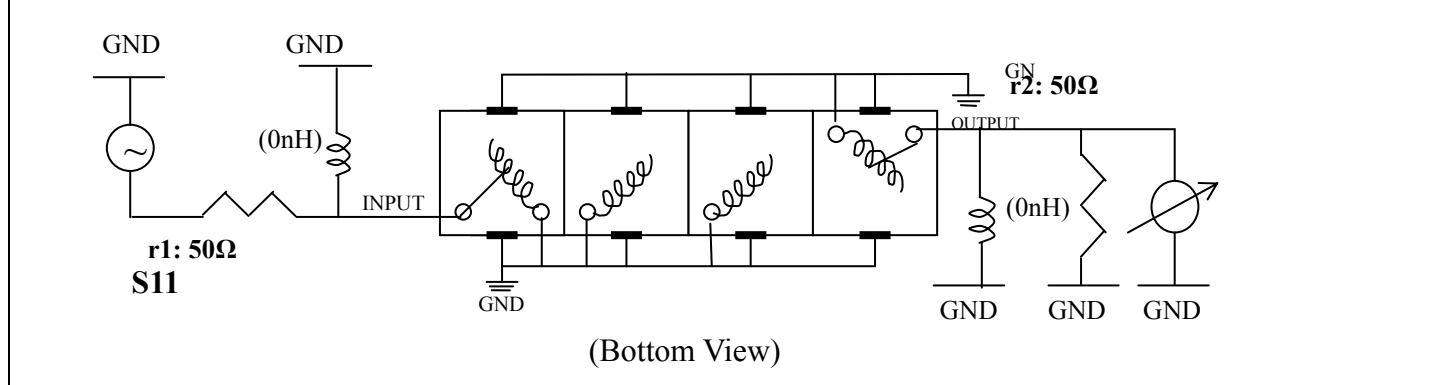
(5) Temperature Condition:

Operating Temperature 0°C ~ +60°C

Storage Temperature -20°C ~ +70°C

(6) Input Power > 1Watt

(7) Measuring Circuit: ※Easy to match Impedance S11/S22 50 Ω by parallel with about(0 nH) / (0 nH).



Approval	Supervisor	Designer	Aperture size
C.Y.Chang	C.S.Chang	P.H.Chiang	7H4(4*4.65F) 7H024LB6.5

TEMWELL CORPORATION

