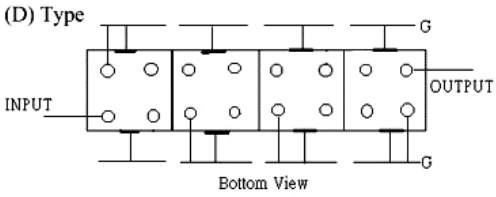
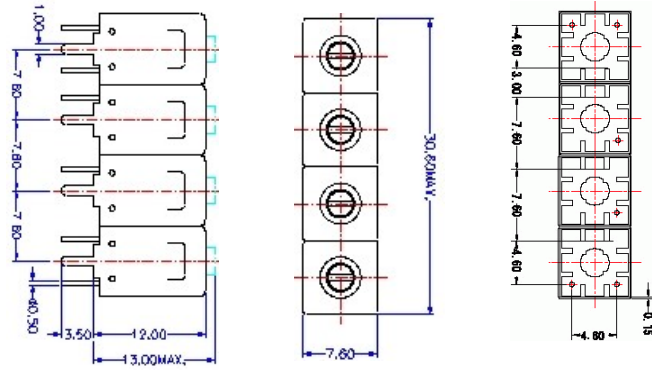


# VHF UHF Helical Filter Specification Sheet

Customer Name		Temwell's Part No.	TF69208D-614M
Approval No. /dated	2006002B	Acceptable Specify Fo. Range	596~640MHz
Work Instruction No.	2006002B	Date	June.07.2000

(1)Pin Position	(2)Size Diagram
 <p style="text-align: center;">Bottom View</p>	

### (3)Electric Character

Item	Specify	Performance	
Center Freq.(Fo ) +/- 0.5 %	614 MHz	614 MHz	
Insertion Loss	Typ. 3.5 dB	2.36 dB	
-3 dB Bandwidth	Typ. 20 MHz	26 MHz	
Sensitivity (Attenuation)	Fo - 50 MHz	Typ. 55 dBc	58 dBc
	Fo + 50 MHz	Typ. 38 dBc	41 dBc
	Fo - ( )MHz	Typ. dBc	dBc
	Fo +( )MHz	Typ. dBc	dBc
Return Loss	Min. 12 dB	24.3 dB	
Ripple	< 1 dB	dB	
Impedance	In / Out : 50 Ω	In / Out : 50 Ω	
(4)Torque for Tuning Screw	> 100gf · cm		

### (5)Temperature Condition:

Operating Temperature	0°C ~ +60°C
Storage Temperature	-20°C ~ +70°C
(6)Input Power	> 1Watt

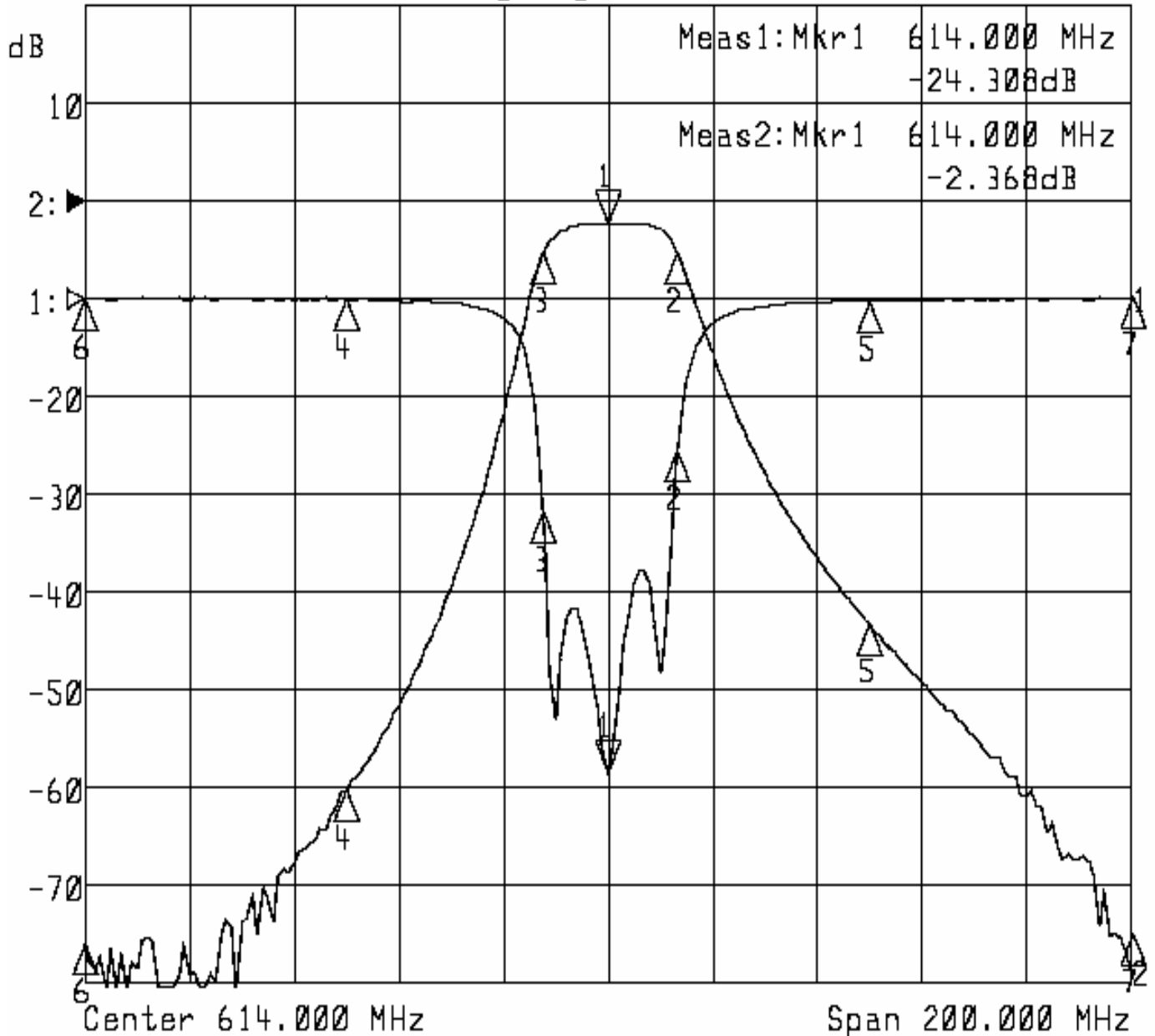
Approval	Supervisor	Designer	Aperture size
C.Y.Chang	C.S.Chang	C.S.Chang	7H4S(4*6.5) 7H046LB4

TEMWELL CORPORATION

# Performance-TF69208D-614M

## 2006002B

▶1:S11 Refl Port1 Log Mag 5.0 dB/ Ref 0.00 dB C  
 ▶2:S21 Fwd Trans Log Mag 10.0 dB/ Ref 0.00 dB C



1: Mkr (MHz)	dB	2: Mkr (MHz)	dB
1> 614.0000	-24.308	1> 614.0000	-2.368
2: 627.3333	-7.704	2: 627.3333	-5.299
3: 601.6000	-10.895	3: 601.6000	-5.356
4: 564.0000	-0.037	4: 564.0000	-60.295
5: 664.0000	-0.138	5: 664.0000	-43.339
6: 514.0000	0.002	6: 514.0000	-76.121
7: 714.0000	0.070	7: 714.0000	-75.033