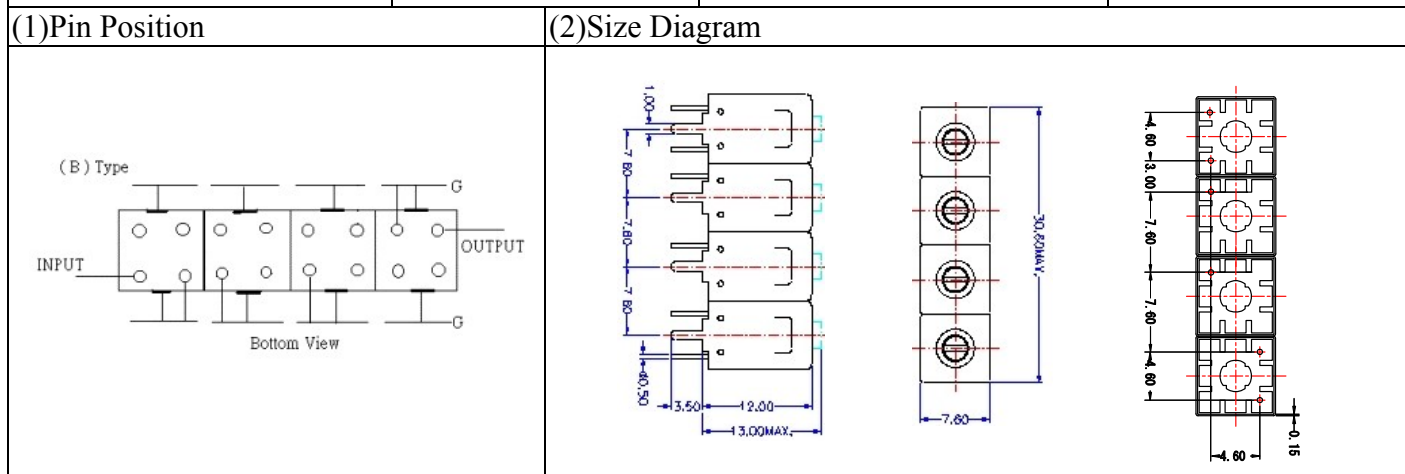


VHF UHF Helical Filter Specification Sheet

Customer Name		Temwell's Part No.	TF69210B-340M
Approval No. /dated	201702028CD	Temwell's Print Name	69210B 340M
Work Instruction No.	201702028CD	Date	Mar.02.2017



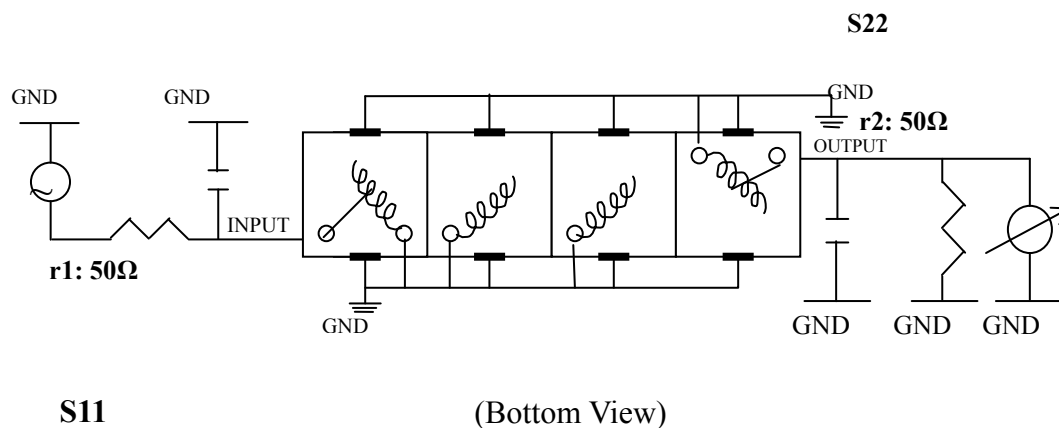
(3) Electric Characteristic

Item	Specify	Performance	
Center Freq.(Fo) +/- 0.5 %	340 MHz	340 MHz	
Insertion Loss	Typ. 3.5 dB	2.28 dB	
-3 dB Bandwidth	Typ. 16 MHz	21.1 MHz	
Sensitivity (Attenuation)	Fo - 50 MHz	Typ. 90 dBc	98 dBc
	Fo + 50 MHz	Typ. 50 dBc	54 dBc
	Fo - ()MHz	Typ. dBc	dBc
	Fo + ()MHz	Typ. dBc	dBc
Return Loss	Min. 12 dB	21.2 dB	
Ripple	< 1 dB	dB	
Impedance	In / Out : 50 Ω	In / Out : 50 Ω	
(4) Torque for Tuning Screw	> 60gf · cm		

(5) Temperature Condition:

Operating Temperature	0°C ~ +60°C
Storage Temperature	-20°C ~ +70°C
(6) Input Power	> 1Watt

(7) Measuring Circuit: ※Easy to match Impedance S11/S22 50Ω by parallel with about(- -).



Approval	Supervisor	Designer	Aperture size
C.Y.Chang	C.K.Chang	W.W.Wang	7H4S(4*7.5)(7.56) 7H046LB4.3 聚 3

TEMWELL CORPORATION

Performance-TF69210B-340M

201702028CD

