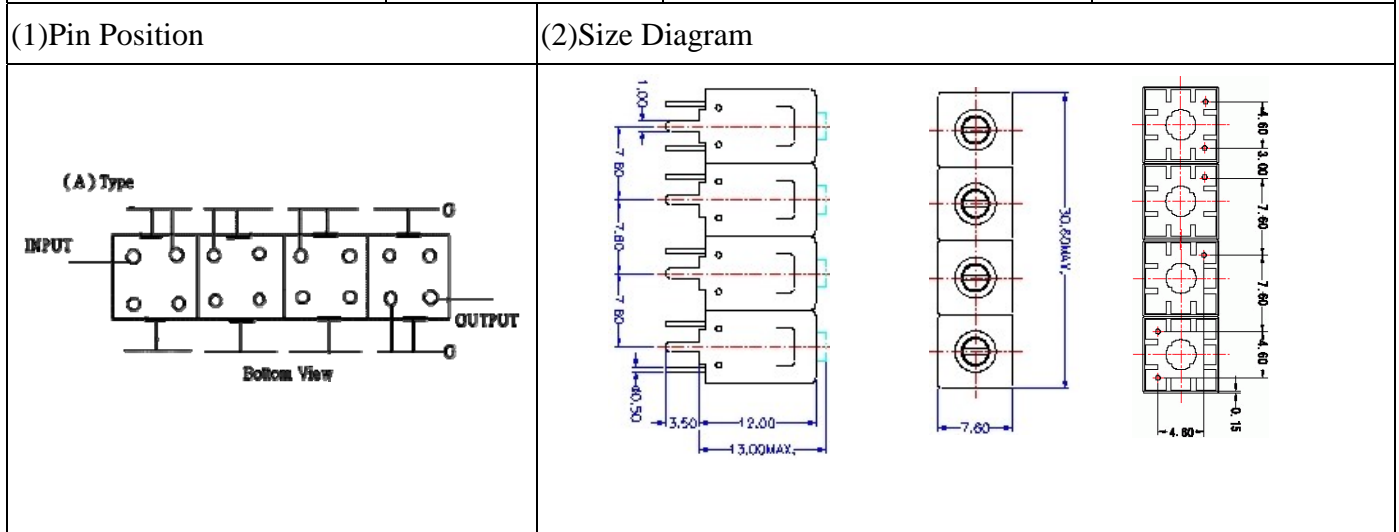


VHF UHF Helical Filter Specification Sheet

Customer Name		Temwell's Part No.	TF69214A-820M
Approval No. /dated	980720D	Acceptable Specify Fo. Range	801~830MHz
Work Instruction No.	980720D	Date	Jan.08.1999



(3) Electric Character

Item	Specify	Performance	
Center Freq.(Fo) +/- 0.5 %	820 MHz	820 MHz	
Insertion Loss	Typ. 5.0 dB	3.75 dB	
-3 dB Bandwidth	Typ. 22 MHz	26 MHz	
Sensitivity (Attenuation)	Fo - 50 MHz	Typ. 55 dBc	58 dBc
	Fo + 50 MHz	Typ. 40 dBc	43 dBc
	Fo - ()MHz	Typ. dBc	dBc
	Fo +()MHz	Typ. dBc	dBc
Return Loss	Min. 12 dB	21.2 dB	
Ripple	< 1 dB	dB	
Impedance	In / Out : 50 Ω	In / Out : 50 Ω	

(4) Torque for Tuning Screw > 100gf • cm

(5) Temperature Condition:

Operating Temperature	0°C ~ +60°C
Storage Temperature	-20°C ~ +70°C

(6) Input Power > 1Watt

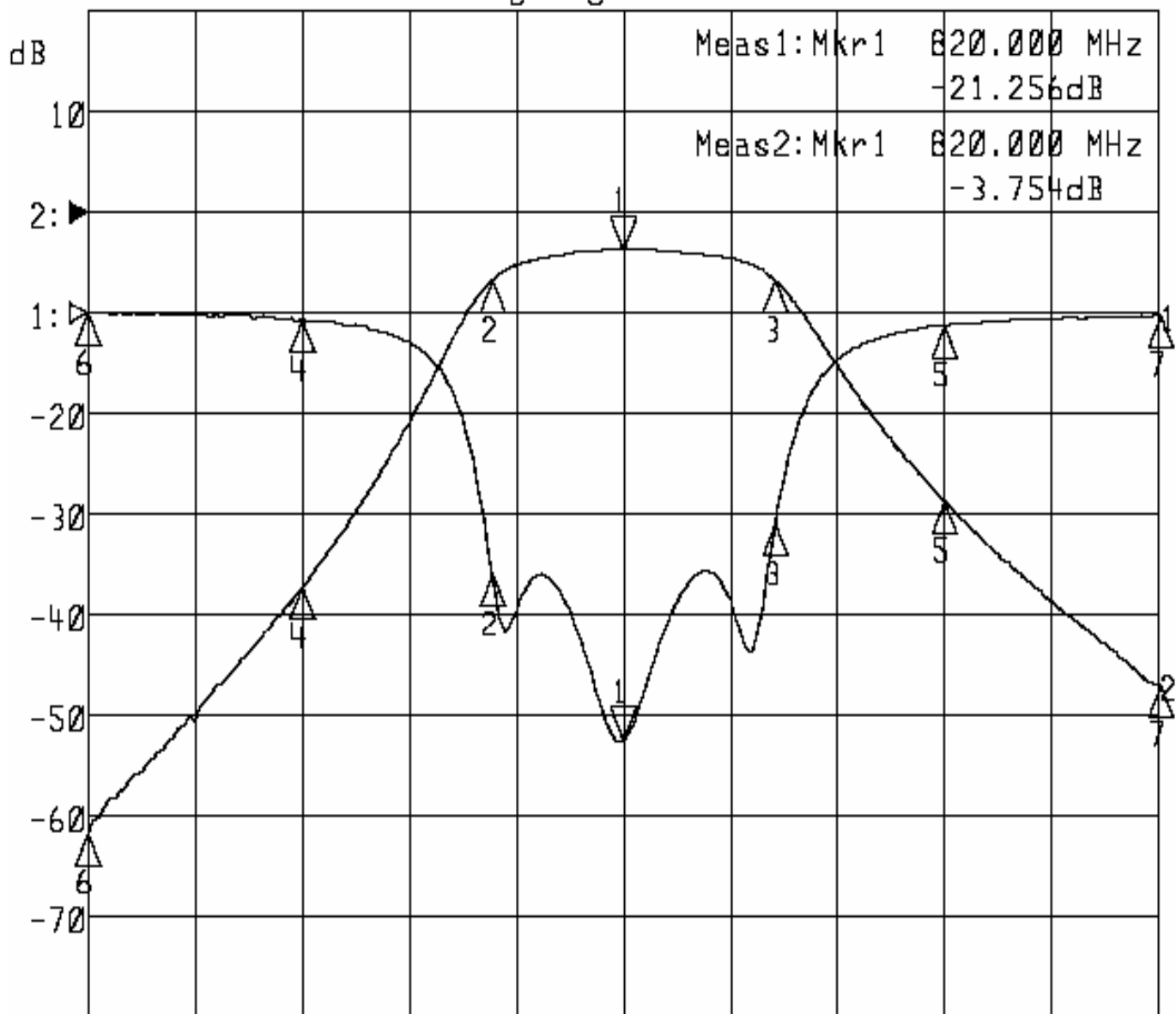
Approval	Supervisor	Designer	Aperture size
C.Y.Chang	C.S.Chang	C.S.Chang	7H4S(4*4.5) 7H046LB4

TEMWELL CORPORATION

Performance-TF69214A-820M

980720D

▷1:S11 Refl Port1 Log Mag 5.0 dB/ Ref 0.00 dB C
▶2:S21 Fwd Trans Log Mag 10.0 dB/ Ref 0.00 dB C



Center 820.000 MHz

Span 100.000 MHz

1: Mkr (MHz)	dB	2: Mkr (MHz)	dB
1> 820.0000	-21.256	1> 820.0000	-3.754
2: 807.7667	-12.943	2: 807.7667	-6.706
3: 834.1667	-10.557	3: 834.1667	-6.718
4: 790.0000	-0.328	4: 790.0000	-37.228
5: 850.0000	-0.631	5: 850.0000	-28.695
6: 770.0000	-0.003	6: 770.0000	-61.868
7: 870.0000	-0.129	7: 870.0000	-47.087