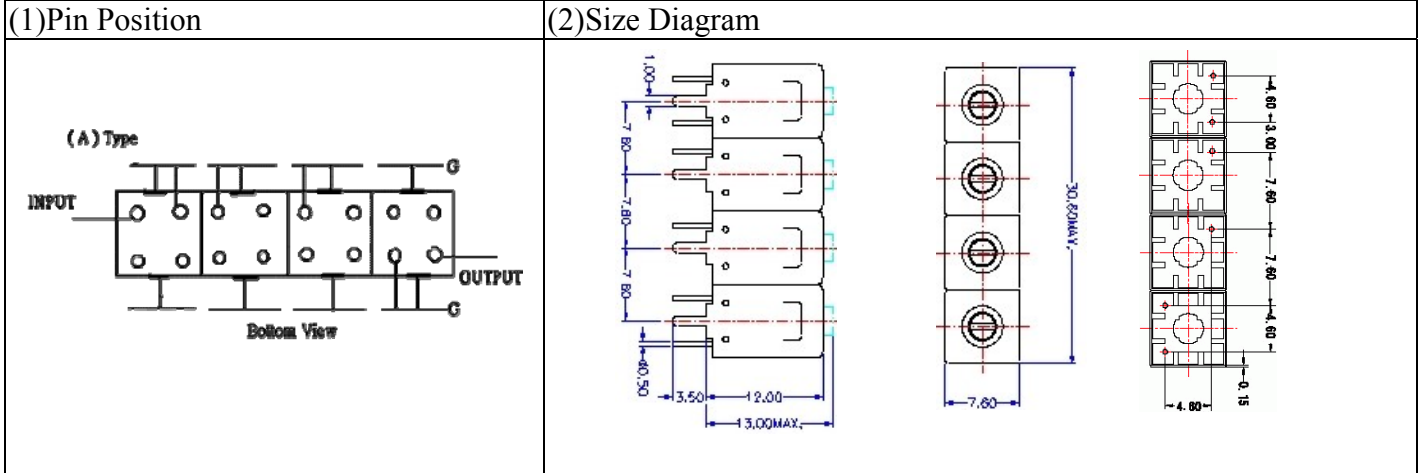


VHF UHF Helical Filter Specification Sheet

Customer Name		Temwell's Part No.	TF69218A1-920M
Approval No. /dated	201708084CD	Temwell's Print Name	69218A1 920M
Work Instruction No.	201708084CD	Date	Sep.12.2017



(3) Electric Characteristic

Item	Specify	Performance	
Center Freq.(Fo) +/- 0.5 %	920 MHz	920 MHz	
Insertion Loss	Typ. 4.5 dB	3.42 dB	
-3 dB Bandwidth	Typ. 20 MHz	26.7 MHz	
Sensitivity (Attenuation)	Fo - 50 MHz	Typ. 52 dBc	57 dBc
	Fo + 50 MHz	Typ. 39 dBc	44 dBc
	Fo - ()MHz	Typ. dBc	dBc
	Fo + ()MHz	Typ. dBc	dBc
Return Loss	Min. 12 dB	20.3 dB	
Ripple	< 1 dB	dB	
Impedance	In / Out : 50 Ω	In / Out : 50 Ω	

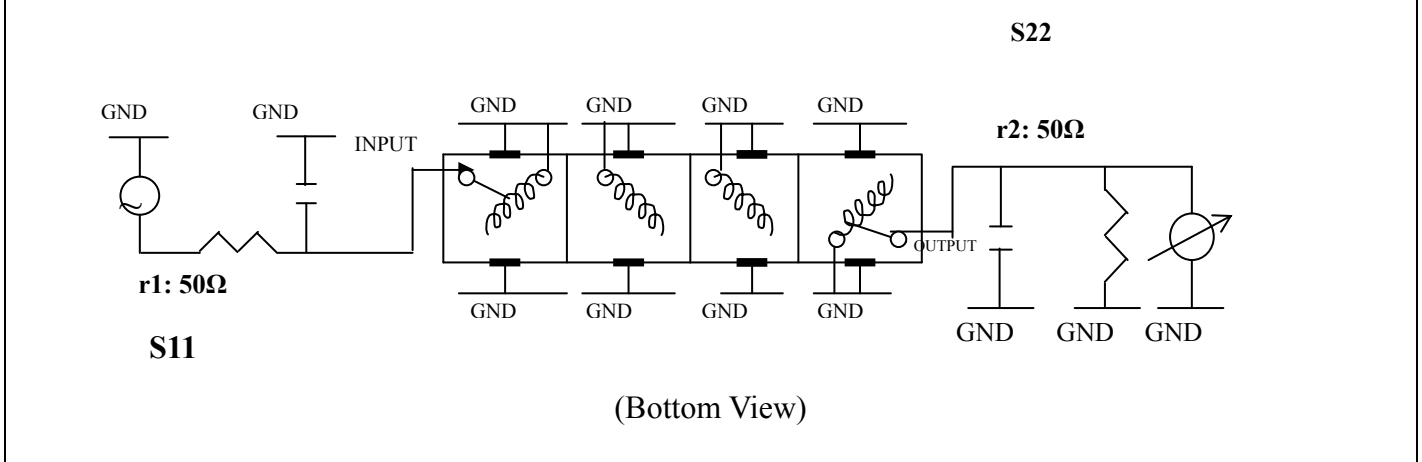
(4) Torque for Tuning Screw > 60gf • cm

(5) Temperature Condition:

Operating Temperature	0°C ~ +60°C
Storage Temperature	-20°C ~ +70°C

(6) Input Power > 1 Watt

(7) Measuring Circuit: ※Easy to match Impedance S11/S22 /50Ω by parallel with about(- -).



Approval C.Y.Chang	Supervisor C.K.Chang	Designer W.W.Wang	Aperture size 7H4S(4*5.5)(5.53) 7H046LB4.3 聚 3
-----------------------	-------------------------	----------------------	--

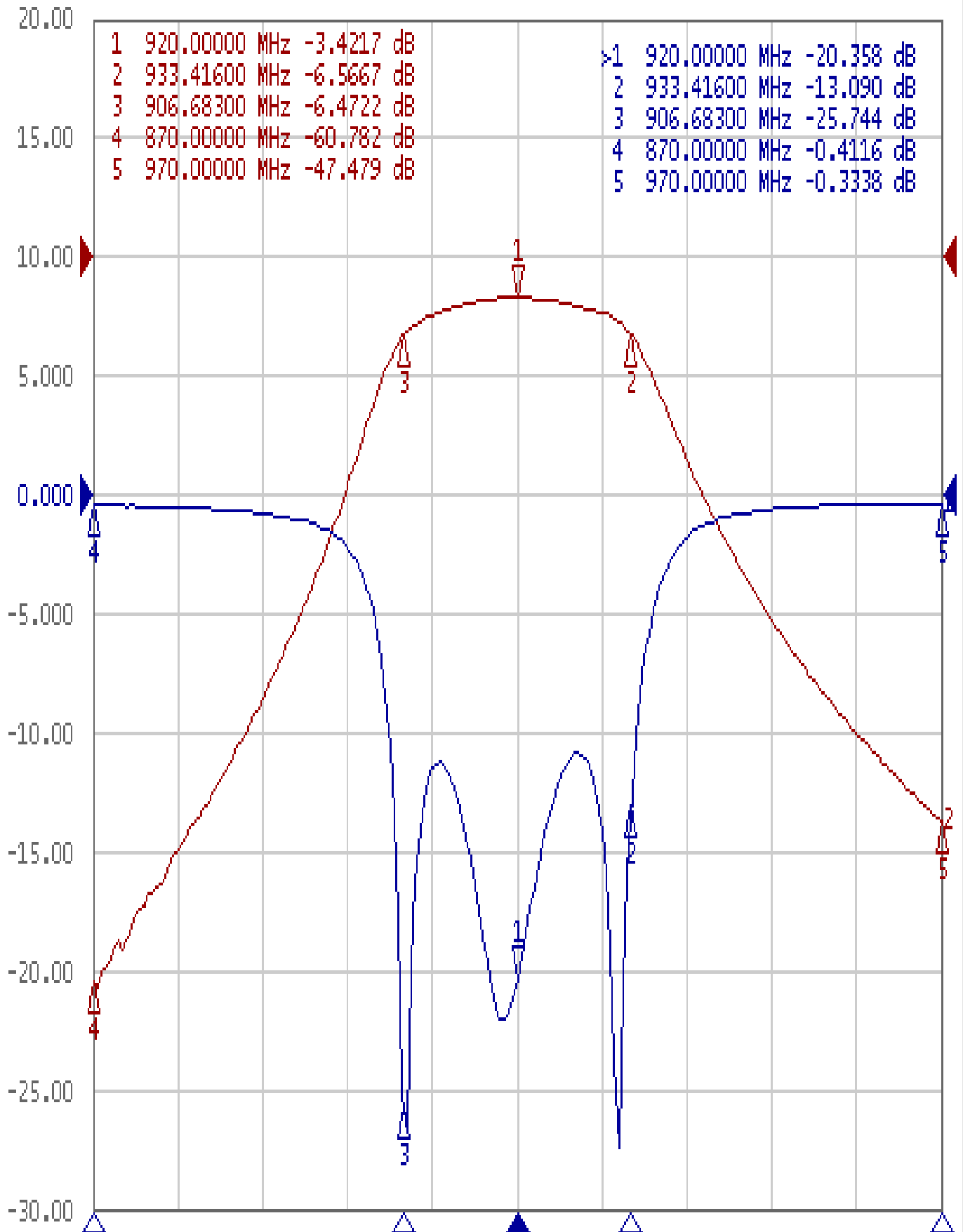
TEMWELL CORPORATION

Performance-TF69218A1-920M

201708084CD

Tr1 S11 Log Mag 5.000dB/ Ref 0.000dB [F2]

Tr2 S21 Log Mag 10.00dB/ Ref 0.000dB [F2]



1 Center 920 MHz

IFBW 70 kHz

Span 100 MHz

Cor !