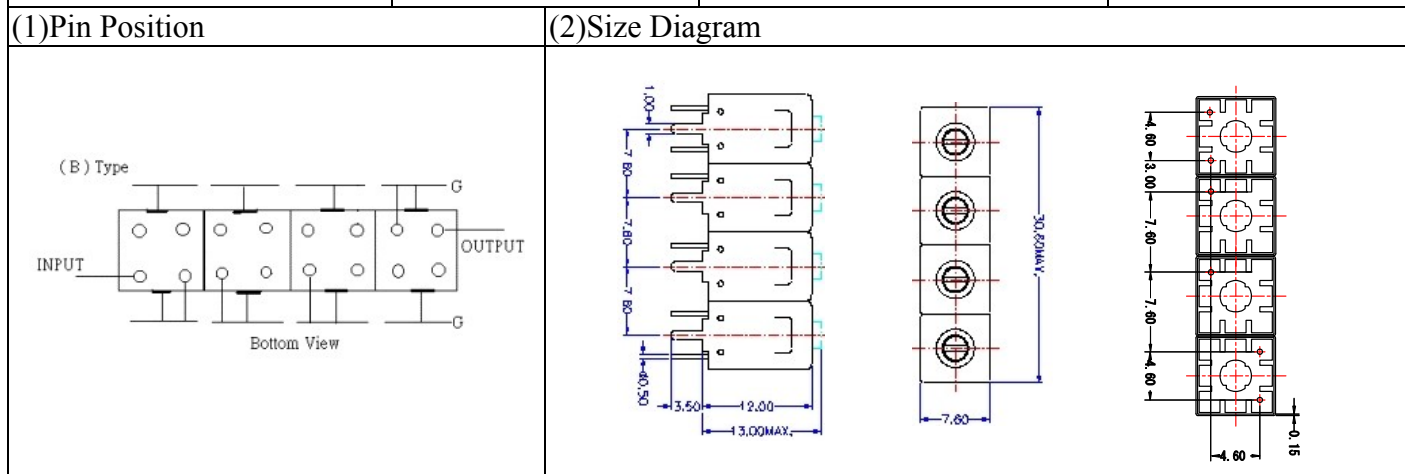


VHF UHF Helical Filter Specification Sheet

Customer Name		Temwell's Part No.	TF69239B-140M
Approval No. /dated	201701078CD	Temwell's Print Name	69239B 140M
Work Instruction No.	201701078CD	Date	Feb.09.2017



(3) Electric Characteristic

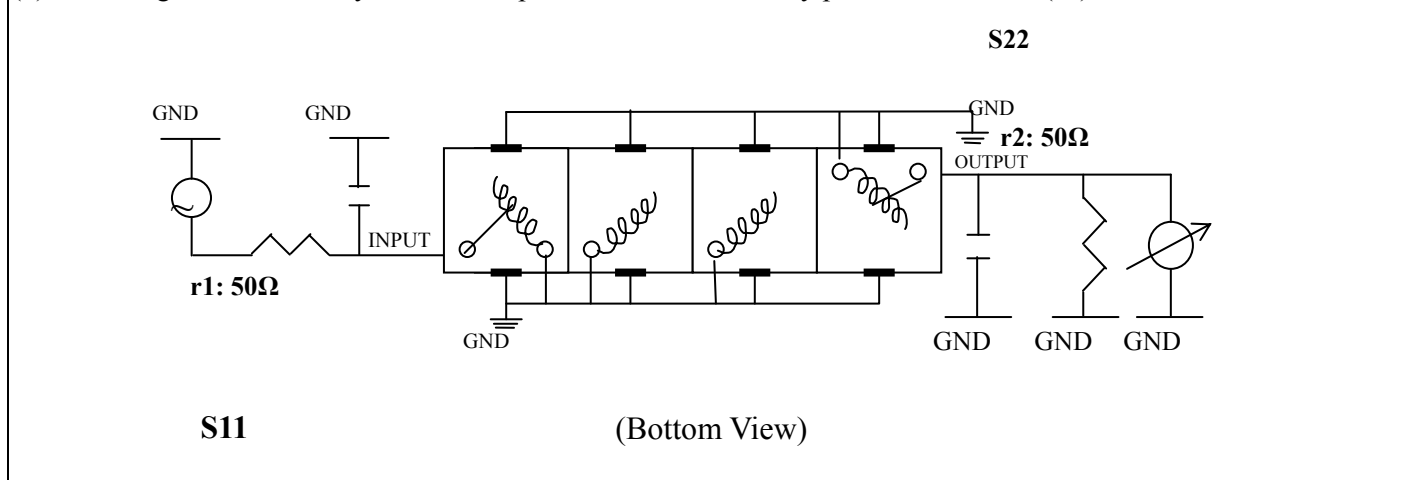
Item	Specify	Performance	
Center Freq.(Fo) +/- 0.5 %	140 MHz	140 MHz	
Insertion Loss	Typ. 2.5 dB	1.48 dB	
-3 dB Bandwidth	Typ. 30 MHz	31.4 MHz	
Sensitivity (Attenuation)	Fo - 50 MHz	Typ. 52 dBc	62 dBc
	Fo + 50 MHz	Typ. 27 dBc	39 dBc
	Fo - ()MHz	Typ. dBc	dBc
	Fo + ()MHz	Typ. dBc	dBc
Return Loss	Min. 12 dB	32.1 dB	
Ripple	< 1 dB	dB	
Impedance	In / Out : 50 Ω	In / Out : 50 Ω	
(4) Torque for Tuning Screw	> 60gf · cm		

(5) Temperature Condition:

Operating Temperature	0°C ~ +60°C
Storage Temperature	-20°C ~ +70°C

(6) Input Power

(7) Measuring Circuit: ※Easy to match Impedance S11/S22 50Ω by parallel with about(- -).	> 1Watt
--	---------



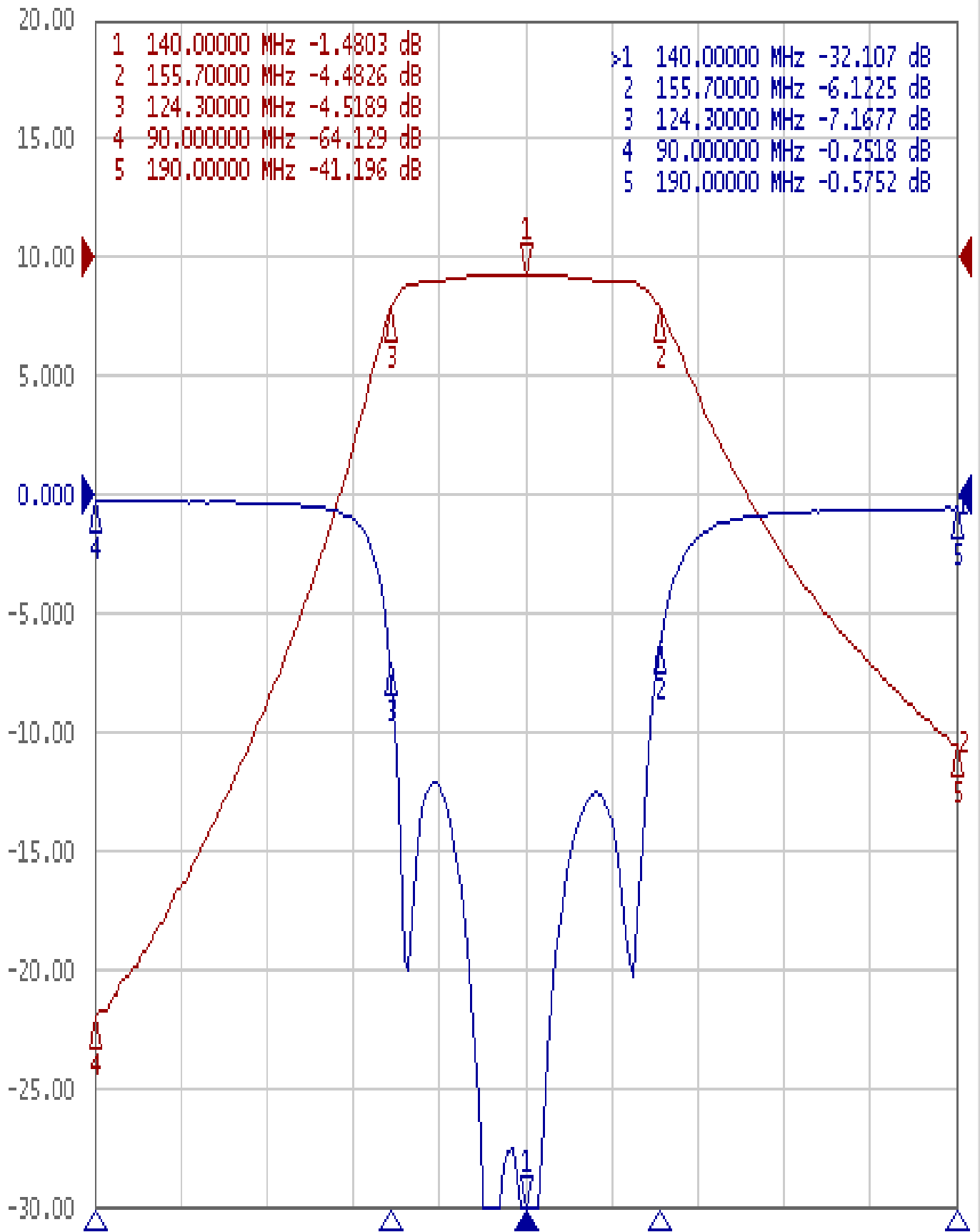
Approval	Supervisor	Designer	Aperture size
C.Y.Chang	C.K.Chang	W.W.Wang	7H4S(4*7.35)(7.38) 7H00LB6

TEMWELL CORPORATION

Performance-TF69239B-140M

201701078CD

Tr1 S11 Log Mag 5.000dB/ Ref 0.000dB [F2]
Tr2 S21 Log Mag 10.00dB/ Ref 0.000dB [F2]



1 Center 140 MHz

IFBW 70 kHz

Span 100 MHz

Cor !