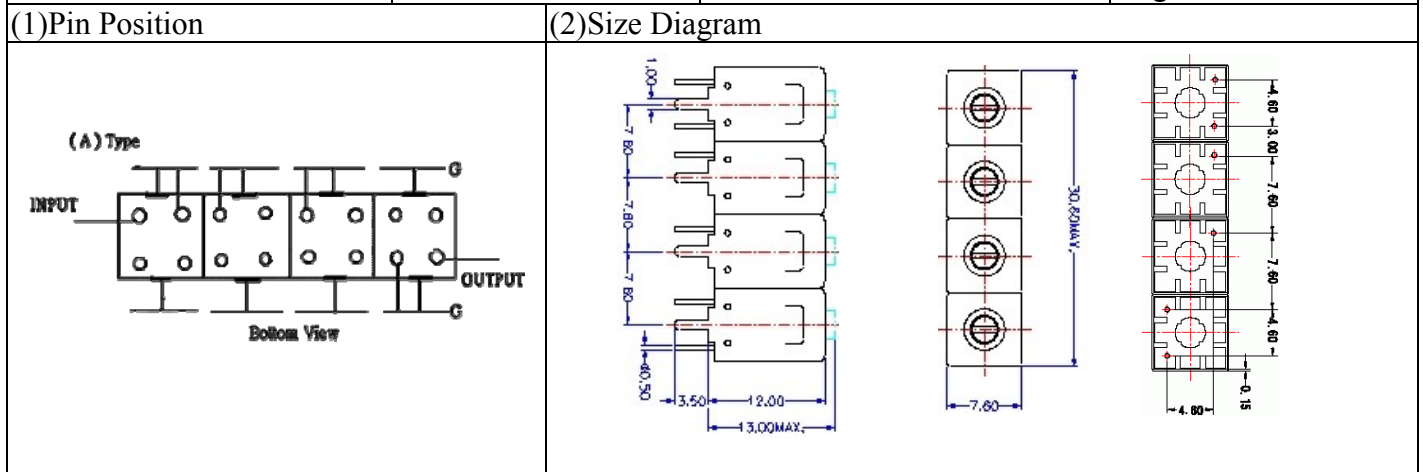
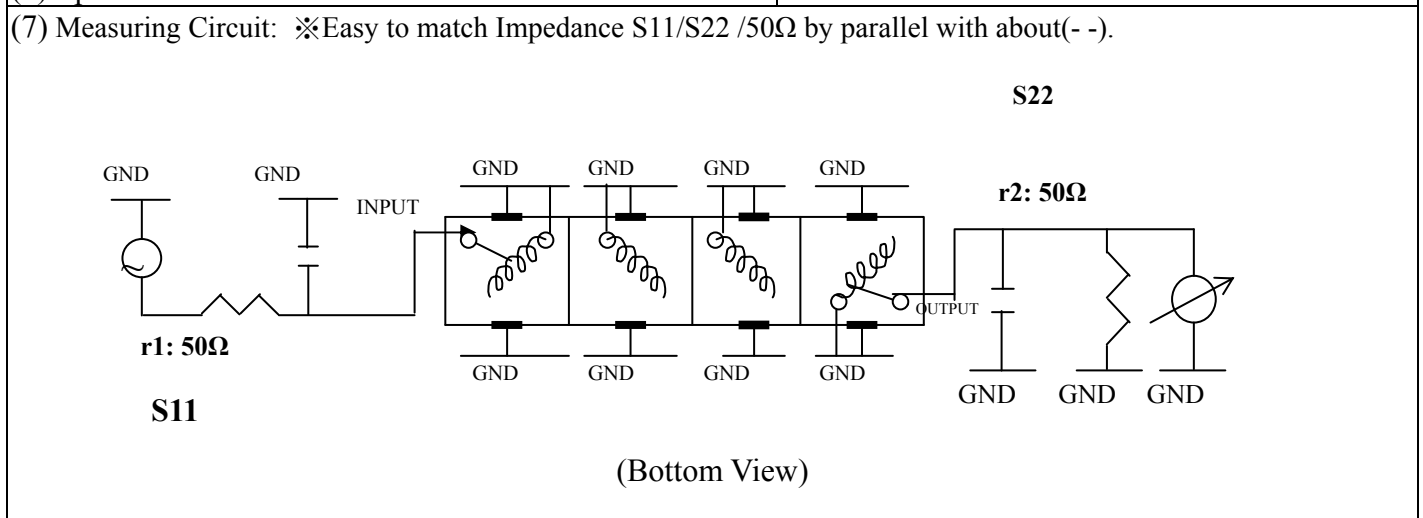


# VHF UHF Helical Filter Specification Sheet

Customer Name		Temwell's Part No.	TF69244A-815M
Approval No. /dated	201708064CD	Temwell's Print Name	69244A 815M
Work Instruction No.	201708064CD	Date	Aug.31.2017



(3) Electric Characteristic			
Item	Specify	Performance	
Center Freq.(Fo) +/- 0.5 %	815 MHz	815 MHz	
Insertion Loss	Typ. 5.5 dB	4.46 dB	
-3 dB Bandwidth	Typ. 10 MHz	15.8 MHz	
Sensitivity (Attenuation)	Fo - 50 MHz	Typ. 58 dBc	68 dBc
	Fo + 50 MHz	Typ. 51 dBc	61 dBc
	Fo - ( )MHz	Typ. dBc	dBc
	Fo + ( )MHz	Typ. dBc	dBc
Return Loss	Min. 12 dB	30.2 dB	
Ripple	< 1 dB	dB	
Impedance	In / Out : 50 Ω	In / Out : 50 Ω	
(4) Torque for Tuning Screw	> 60gf • cm		
(5) Temperature Condition:			
Operating Temperature	0°C ~ +60°C		
Storage Temperature	-20°C ~ +70°C		
(6) Input Power	> 1 Watt		



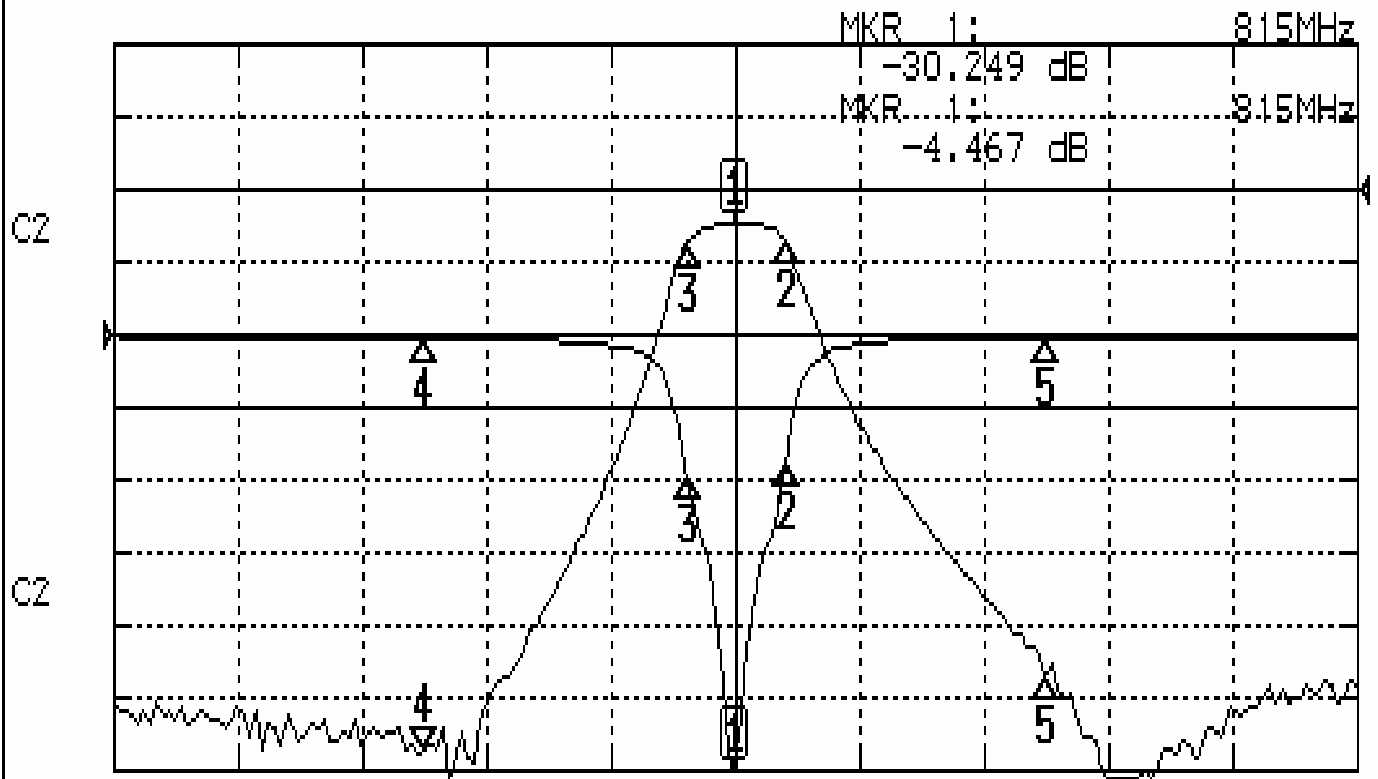
Approval	Supervisor	Designer	Aperture size
C.Y.Chang	C.K.Chang	M.Y.Kang	7H4S(4*4.65)(4.68) 7H046LB4.3 聚 3

TEMWELL CORPORATION

# Performance-TF69244A-815M

## 201708064CD

CH1 S11 LOG MAG REF 0.000 dB 5.000 dB/  
CH2 S21 LOG MAG REF 0.000 dB 10.000 dB/



CENTER 815MHz

[ 10.00 dBm ]

SPAN 200MHz

### CH1 MARKER LIST

1:	815.000MHz	-30.291 dB
2:	823.130MHz	-8.619 dB
3:	807.300MHz	-9.841 dB
4:	765.000MHz	-0.246 dB
5:	865.000MHz	-0.185 dB

### CH2 MARKER LIST

1:	815.000MHz	-4.467 dB
2:	823.130MHz	-7.480 dB
3:	807.300MHz	-7.440 dB
4:	765.000MHz	-72.701 dB
5:	865.000MHz	-65.597 dB