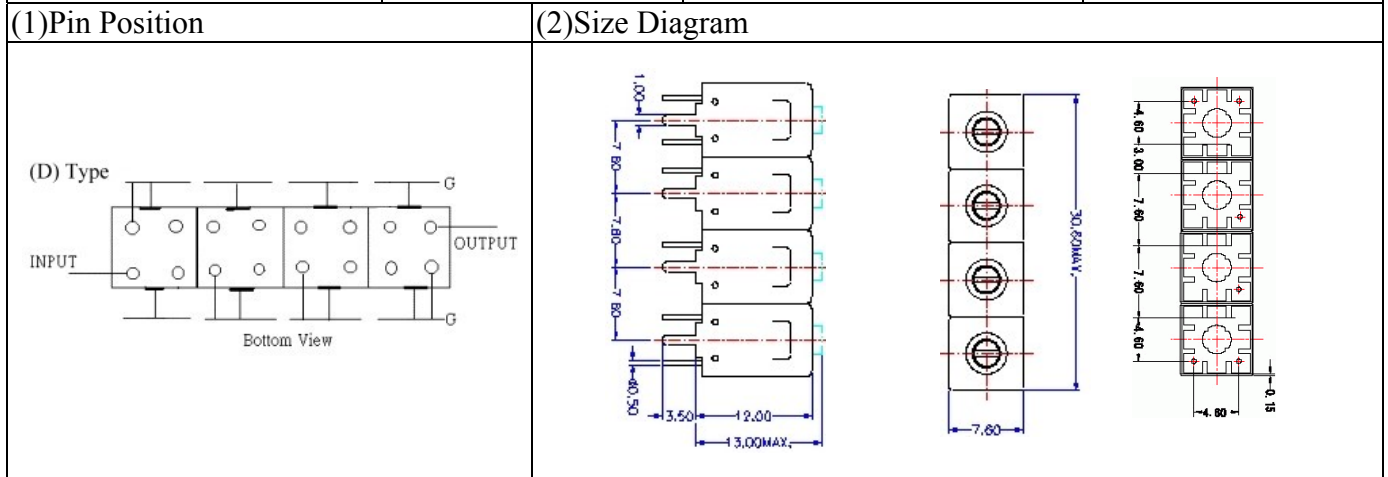
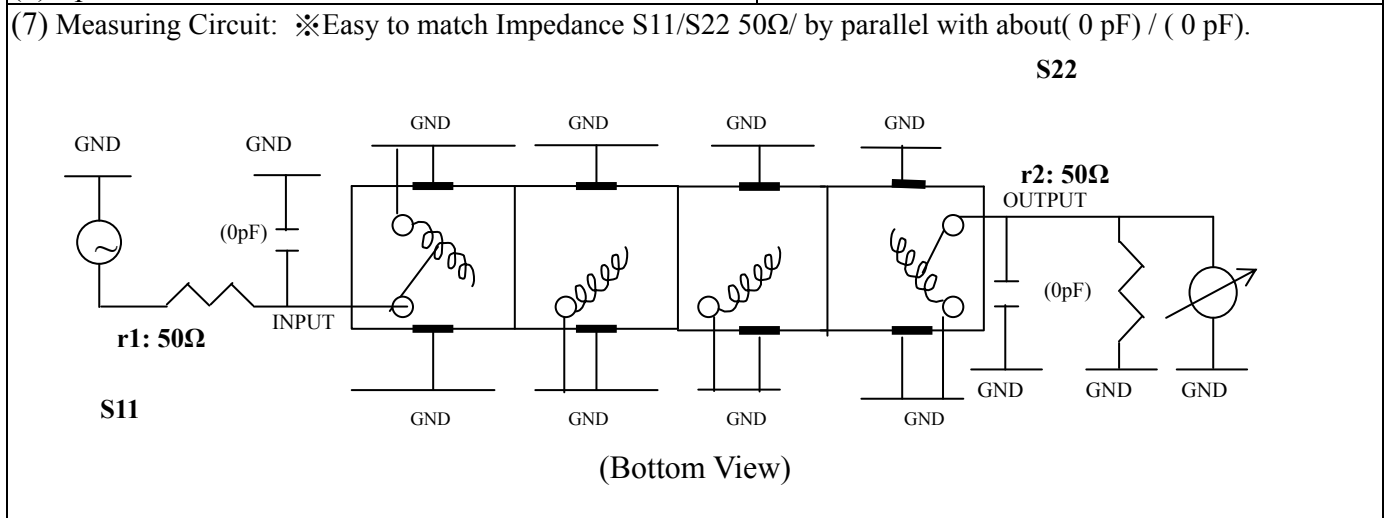


VHF UHF Helical Filter Specification Sheet

Customer Name		Temwell's Part No.	TF6924D-151M
Approval No. /dated	0606073APR	Acceptable Specify Fo Range	146~165MHz
Work Instruction No.	0606073DB	Date	Jul.10.2006



(3) Electric Characteristic			
Item		Specify	Performance
Center Freq.(Fo) +/- 0.5 %		151 MHz	151 MHz
Insertion Loss		Typ 3.5 dB	2.74 dB
-3 dB Bandwidth		Typ. 8 MHz	9.8 MHz
Sensitivity (Attenuation)	Fo - 20 MHz	Typ. 60 dBc	63 dBc
	Fo + 20 MHz	Typ. 38 dBc	41 dBc
	Fo - ()MHz	Typ. dBc	dBc
	Fo +()MHz	Typ. dBc	dBc
Return Loss		Min. 12 dB	29.1 dB
Ripple		< 1 dB	dB
Impedance		In / Out : 50 Ω	In / Out : 50 Ω
(4) Torque for Tuning Screw		> 100gf · cm	
(5) Temperature Condition:			
Operating Temperature		0°C ~ +60°C	
Storage Temperature		-20°C ~ +70°C	
(6) Input Power		> 1Watt	



Approval	Supervisor	Designer	Aperture size
C.Y.Chang	C.S.Chang	C.S.Chang	7H4(4*8.0)(8.01) 7H024LB4

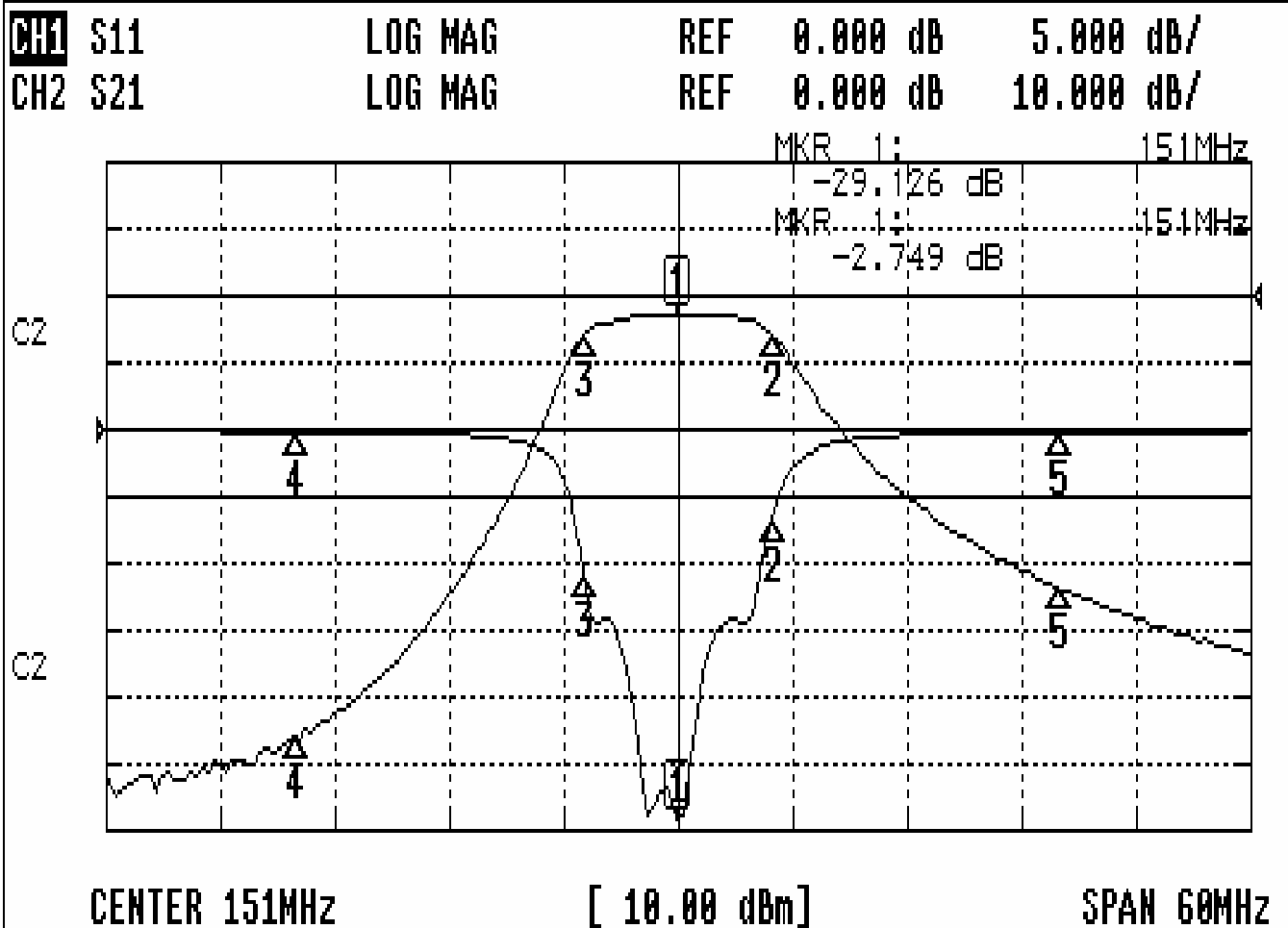
TEMWELL CORPORATION

TEMWELL

RP:C.S.Chang

Performance-TF6924D-151M

0606073DB



CH1 MARKER LIST

1:	151.000MHz	-29.126 dB
2:	155.950MHz	-6.652 dB
3:	146.100MHz	-11.164 dB
4:	131.000MHz	-0.171 dB
5:	171.000MHz	-0.206 dB

CH2 MARKER LIST

1:	151.000MHz	-2.749 dB
2:	155.950MHz	-5.731 dB
3:	146.100MHz	-5.814 dB
4:	131.000MHz	-66.175 dB
5:	171.000MHz	-43.690 dB