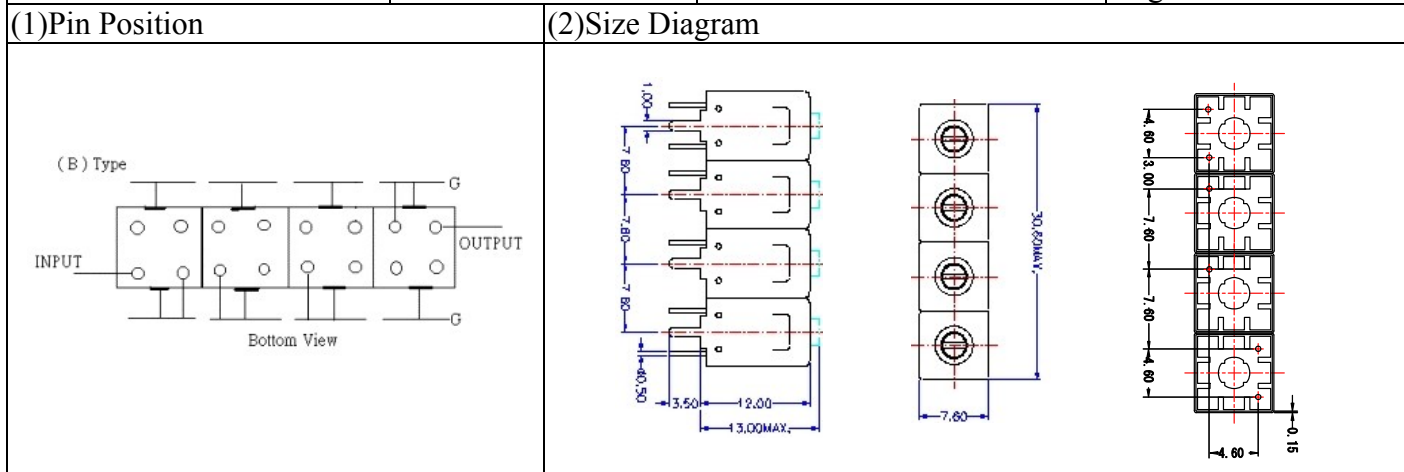


# VHF UHF Helical Filter Specification Sheet

Customer Name		Temwell's Part No.	TF69261B-841M
Approval No. /dated	201708072CD	Temwell's Print Name	69261B 841M
Work Instruction No.	201708072CD	Date	Aug.30.2017



### (3) Electric Characteristic

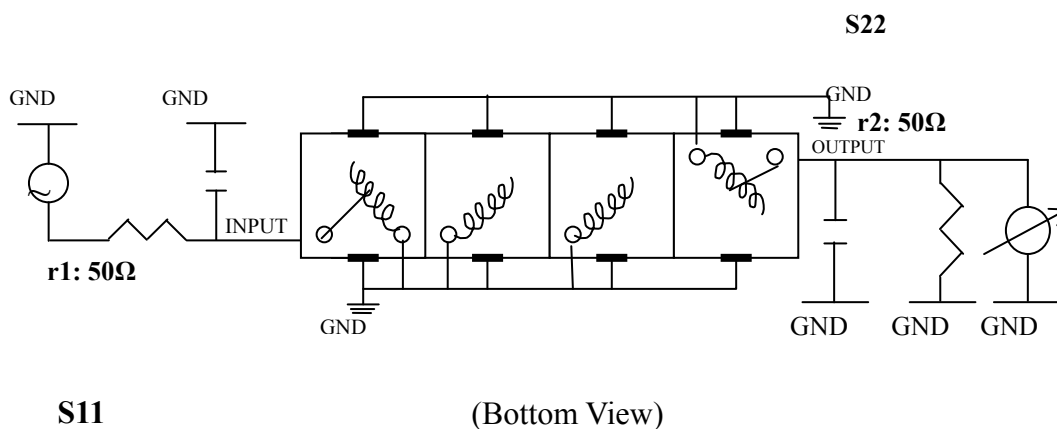
Item	Specify	Performance	
Center Freq.(Fo) +/- 0.5 %	841 MHz	841 MHz	
Insertion Loss	Typ. 3.0 dB	1.82 dB	
-3 dB Bandwidth	Typ. 40 MHz	47.1 MHz	
Sensitivity (Attenuation)	Fo - 100 MHz	Typ. 64 dBc	74 dBc
	Fo +100 MHz	Typ. 41 dBc	46 dBc
	Fo - ( )MHz	Typ. dB	dB
	Fo +( )MHz	Typ. dB	dB
Return Loss	Min. 12 dB	33.5 dB	
Ripple	< 1 dB	dB	
Impedance	In / Out : 50 Ω	In / Out : 50 Ω	
(4) Torque for Tuning Screw	> 60gf · cm		

### (5) Temperature Condition:

Operating Temperature	0°C ~ +60°C
Storage Temperature	-20°C ~ +70°C

### (6) Input Power

(7) Measuring Circuit: ※ Easy to match Impedance S11/S22 50Ω by parallel with about (--).



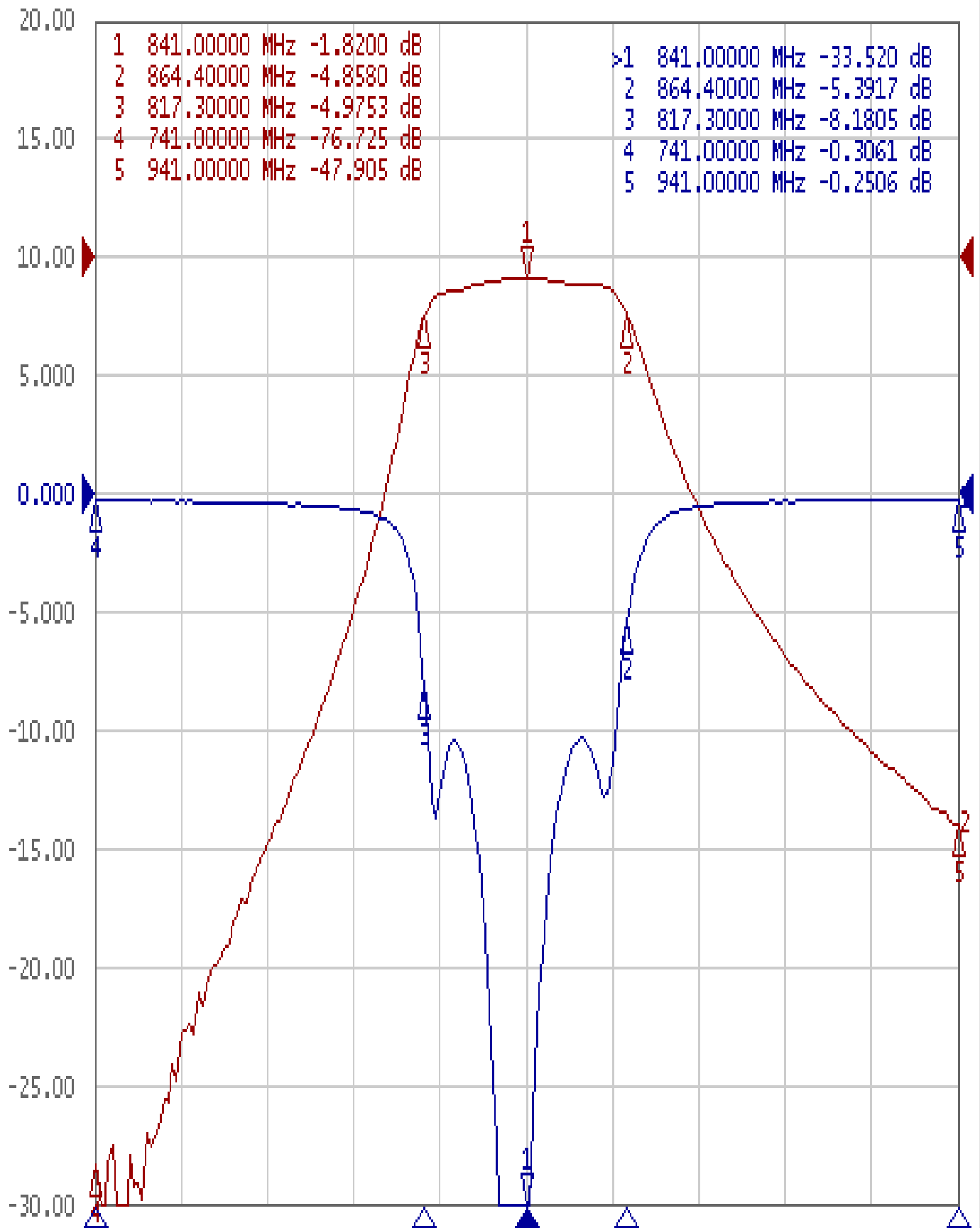
Approval	Supervisor	Designer	Aperture size
C.Y.Chang	C.K.Chang	W.W.Wang	7H4S(4*8.0)(8.03) 7H046RB4

TEMWELL CORPORATION

# Performance-TF69261B-841M

## 201708072CD

Tr1 S11 Log Mag 5.000dB/ Ref 0.000dB [F2]  
Tr2 S21 Log Mag 10.00dB/ Ref 0.000dB [F2]



1 Center 841 MHz

IFBW 70 kHz

Span 200 MHz Cor !