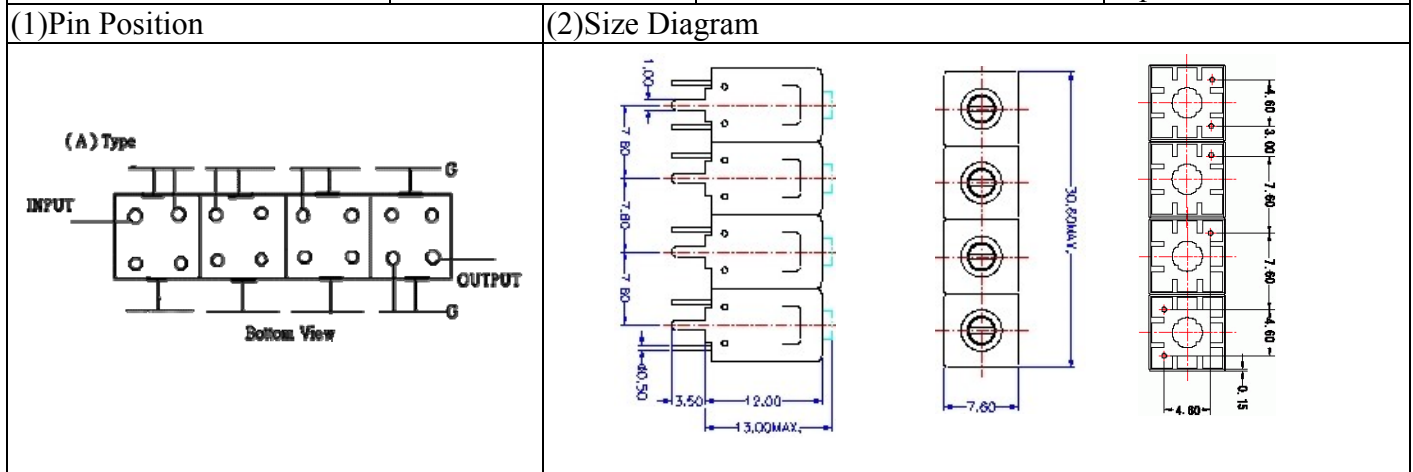
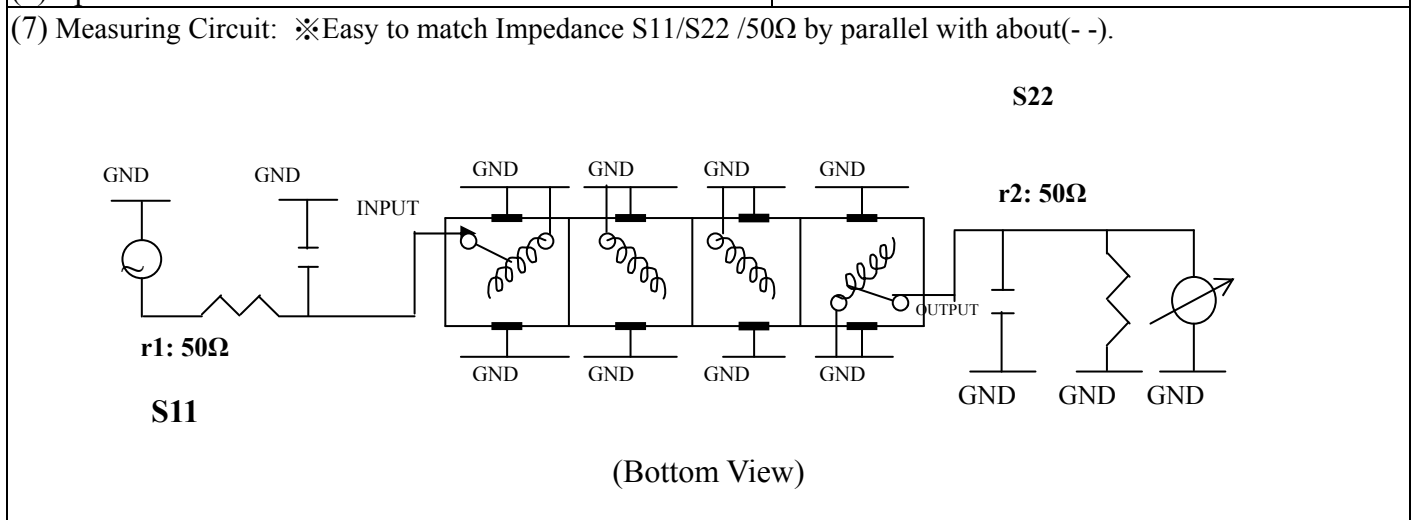


# VHF UHF Helical Filter Specification Sheet

Customer Name		Temwell's Part No.	TF69264A-902M
Approval No. /dated	201708085CD	Temwell's Print Name	69264A 902M
Work Instruction No.	201708085CD	Date	Sep.14.2017



Item		Specify	Performance
Center Freq.(Fo) +/- 0.5 %		902 MHz	902 MHz
Insertion Loss		Typ. 3.5 dB	2.35 dB
-3 dB Bandwidth		Typ. 36 MHz	41.0 MHz
Sensitivity (Attenuation)	Fo - 100 MHz	Typ. 63 dBc	73 dBc
	Fo + 100 MHz	Typ. 44 dBc	49 dBc
	Fo - ( )MHz	Typ. dBc	dBc
	Fo + ( )MHz	Typ. dBc	dBc
Return Loss		Min. 12 dB	18.7 dB
Ripple		< 1 dB	dB
Impedance		In / Out : 50 Ω	In / Out : 50 Ω
(4) Torque for Tuning Screw		> 60gf · cm	
(5) Temperature Condition:			
Operating Temperature		0°C ~ +60°C	
Storage Temperature		-20°C ~ +70°C	
(6) Input Power		> 1Watt	



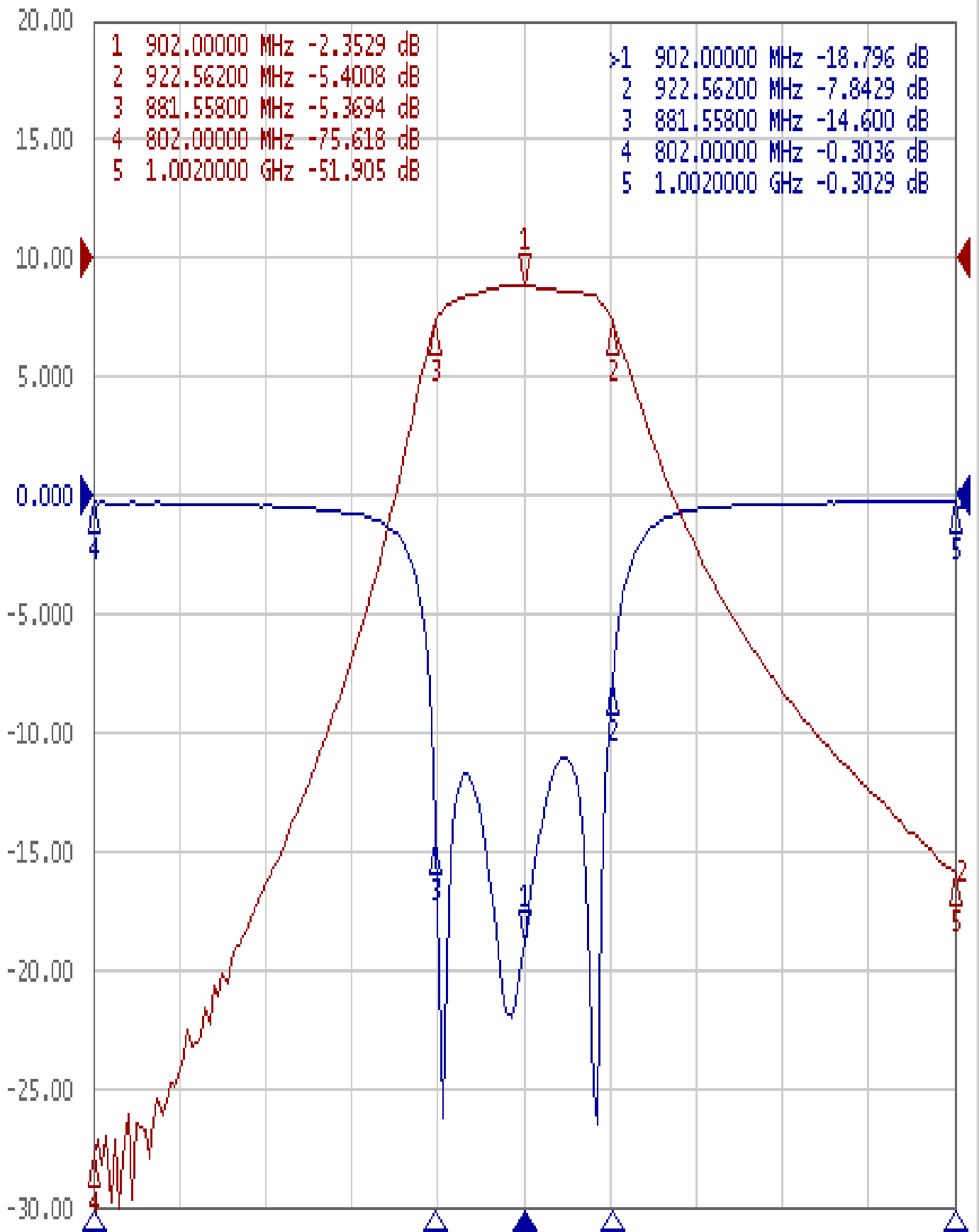
Approval C.Y.Chang	Supervisor C.K.Chang	Designer W.W.Wang	Aperture size 7H4S(4*7.5)76.53 7H046LB4.3 聚3 7H046LB4.5 聚2
-----------------------	-------------------------	----------------------	---

TEMWELL CORPORATION

# Performance-TF69264A-902M

## 201708085CD

Tr1 S11 Log Mag 5.000dB/ Ref 0.000dB [F2]  
Tr2 S21 Log Mag 10.00dB/ Ref 0.000dB [F2]



1 Center 902 MHz

IFBW 70 kHz

Span 200 MHz Cor !