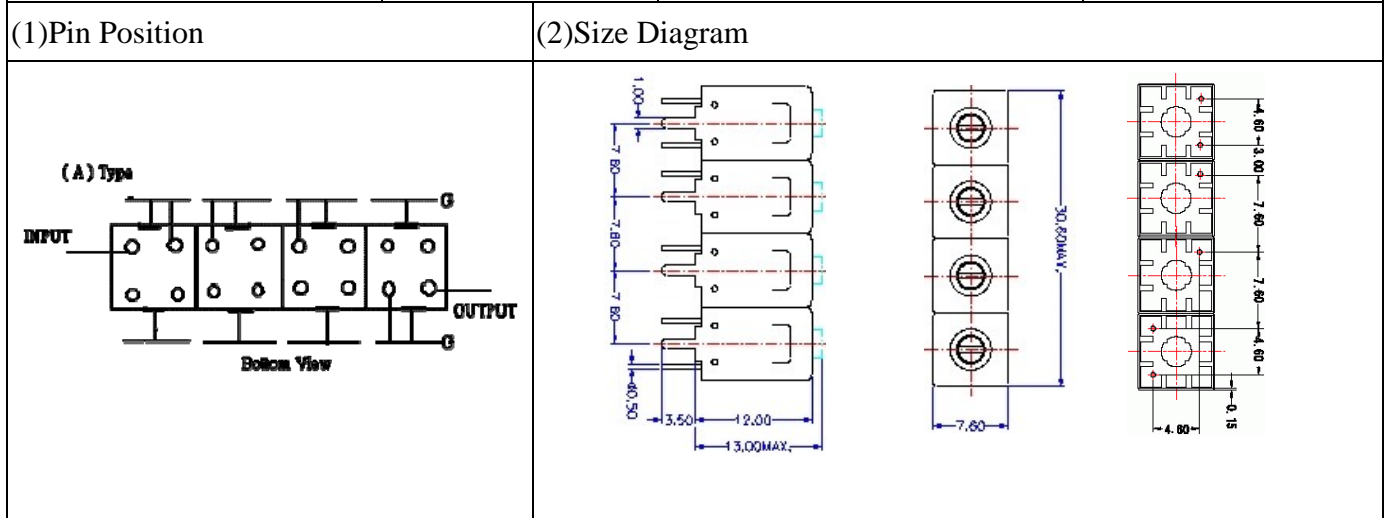


VHF UHF Helical Filter Specification Sheet

Customer Name		Temwell's Part No.	TF69265A-947M
Approval No. /dated	9908042D	Acceptable Specify Fo. Range	931~950MHz
Work Instruction No.	9908042D	Date	Aug.30.1999



(3) Electric Character

Item	Specify	Performance	
Center Freq.(Fo) +/- 0.5 %	947 MHz	947 MHz	
Insertion Loss	Typ. 3.0 dB	1.9 dB	
-3 dB Bandwidth	Typ. 40 MHz	47.2 MHz	
Sensitivity (Attenuation)	Fo - 50 MHz	Typ. 36 dBc	39 dBc
	Fo + 50 MHz	Typ. 20 dBc	23 dBc
	Fo - ()MHz	Typ. dBc	dBc
	Fo +()MHz	Typ. dBc	dBc
Return Loss	Min. 12 dB	1.99 dB	
Ripple	< 1 dB	dB	
Impedance	In / Out : 50 Ω	In / Out : 50 Ω	

(4) Torque for Tuning Screw > 100gf • cm

(5) Temperature Condition:

Operating Temperature	0°C ~ +60°C
Storage Temperature	-20°C ~ +70°C

(6) Input Power > 1Watt

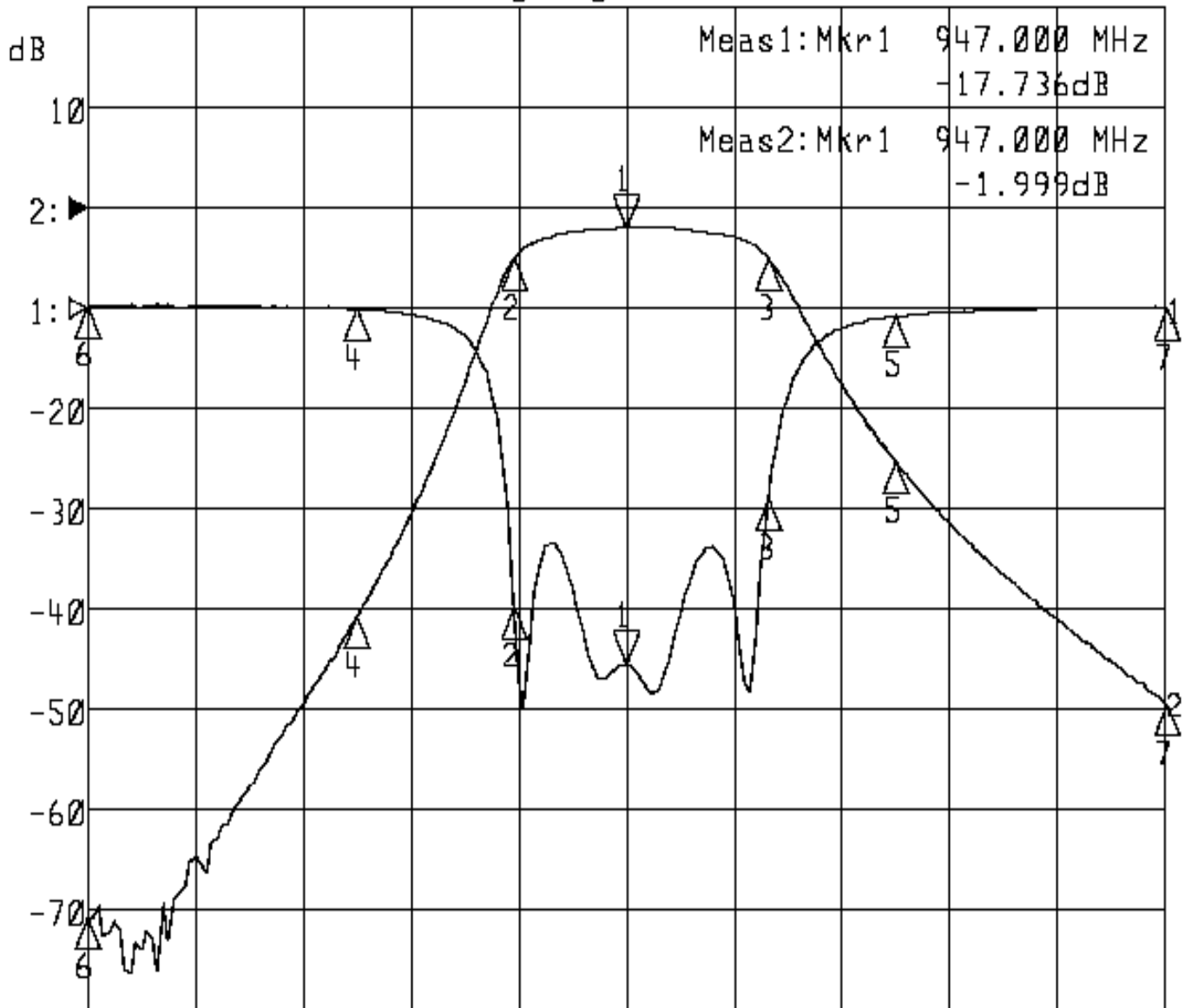
Approval	Supervisor	Designer	Aperture size
C. Y.Chang	C.S.Chang	C.S.Chang	7H4S(4*6.5) 7H046LB4

TEMWELL CORPORATION

Performance-TF69265A-947M

9908042D

►1:S11 Refl Port1 Log Mag 5.0 dB/ Ref 0.00 dB C
►2:S21 Fwd Trans Log Mag 10.0 dB/ Ref 0.00 dB C



Center 947.000 MHz

Span 200.000 MHz

1: Mkr (MHz)	dB	2: Mkr (MHz)	dB
1> 947.0000	-17.736	1> 947.0000	-1.999
2: 926.2667	-14.935	2: 926.2667	-4.994
3: 973.4000	-9.454	3: 973.4000	-4.977
4: 897.0000	-0.023	4: 897.0000	-40.718
5: 997.0000	-0.417	5: 997.0000	-25.289
6: 847.0000	0.165	6: 847.0000	-70.853
7: 1047.0000	-0.050	7: 1047.0000	-49.376