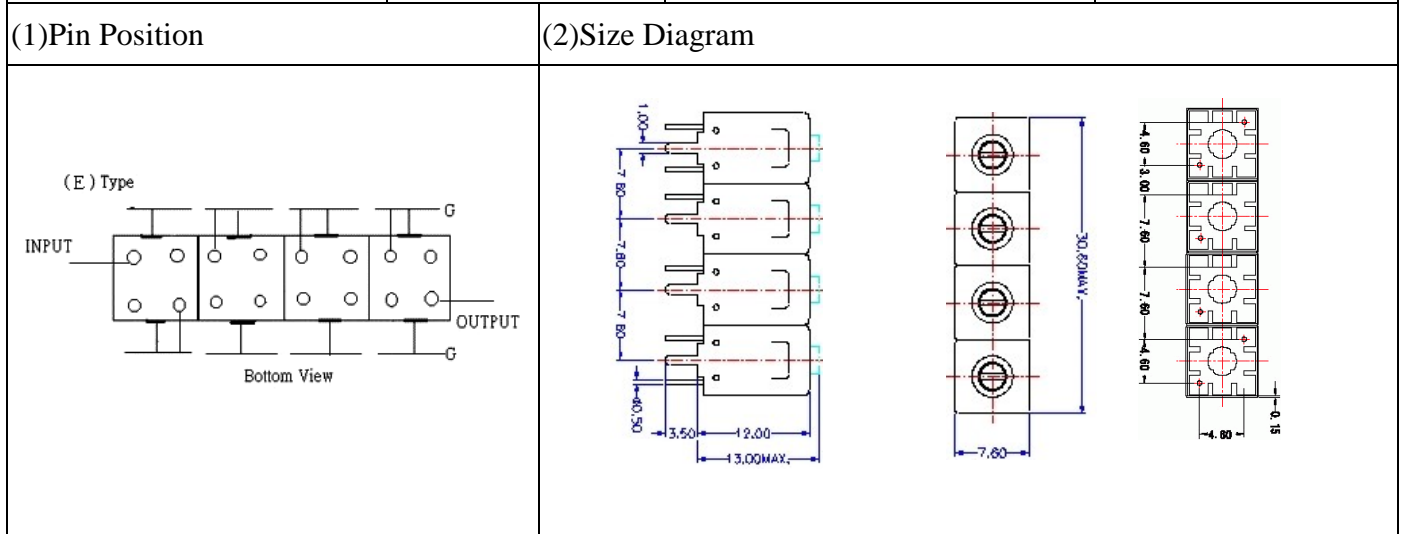


VHF UHF Helical Filter Specification Sheet

Customer Name		Temwell's Part No.	TF69275E3-452.5M
Approval No. /dated	20106052DB	Acceptable Specify Fo. Range	401~455MHz
Work Instruction No.	20106052DB	Date	July.02.2001



(3) Electric Character

Item	Specify	Performance
Center Freq.(Fo) +/- 0.5 %	452.5 MHz	452.5 MHz
Insertion Loss	Typ. 4.5 dB	3.52 dB
-3 dB Bandwidth	Typ. 10 MHz	14 MHz
Sensitivity (Attenuation)	Fo - 30 MHz	Typ. 55 dBc
	Fo + 30 MHz	Typ. 51 dBc
	Fo - ()MHz	Typ. dBc
	Fo +()MHz	Typ. dBc
Return Loss	Min. 12 dB	22.1 dB
Ripple	< 1 dB	dB
Impedance	In / Out : 50 Ω	In / Out : 50 Ω
(4) Torque for Tuning Screw	> 100gf · cm	

(5) Temperature Condition:

Operating Temperature	0°C ~ +60°C
Storage Temperature	-20°C ~ +70°C

(6) Input Power

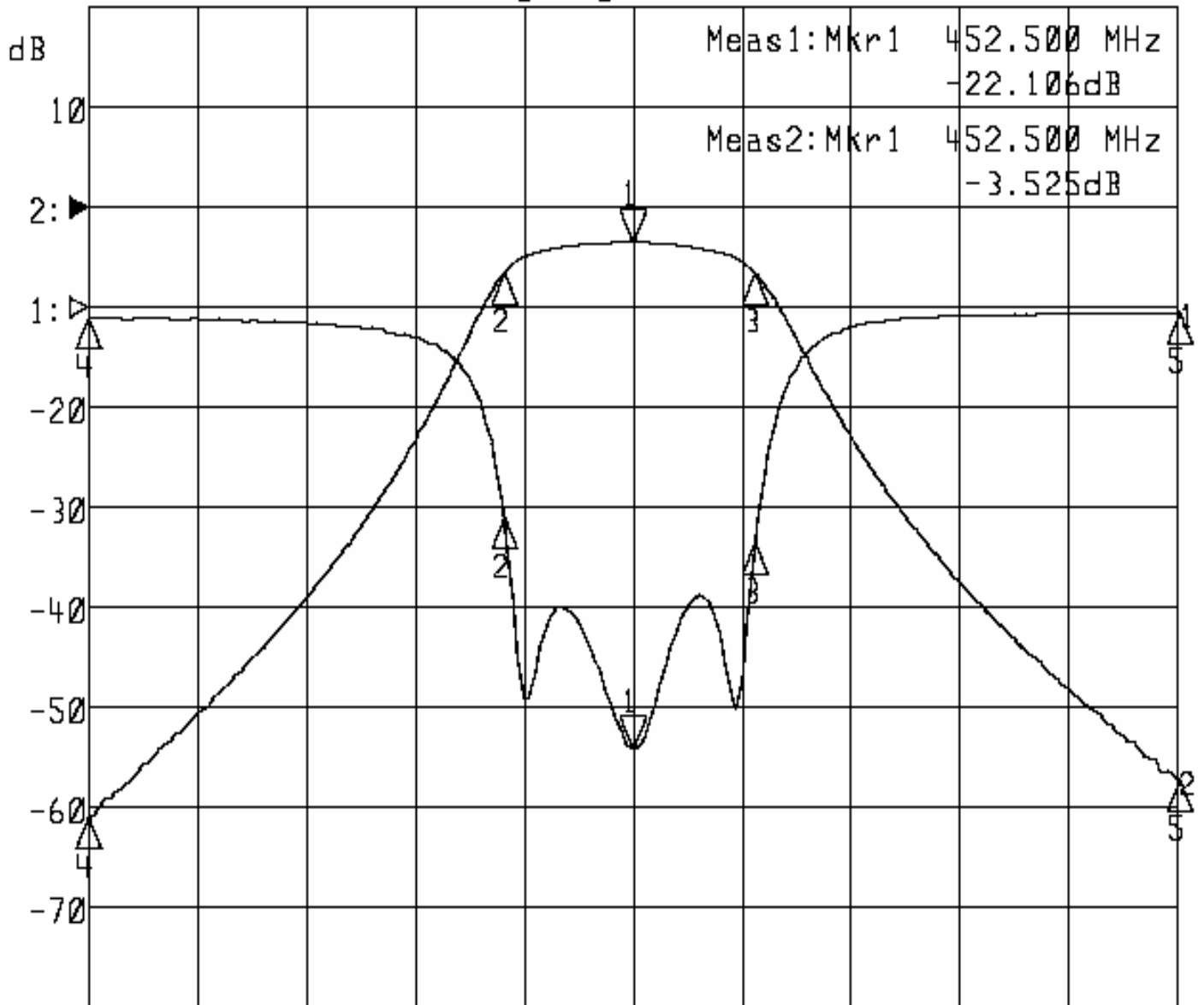
		> 1Watt	
Approval	Supervisor	Designer	Aperture size
C.Y.Chang	C.S.Chang	C.S.Chang	7H4S(4*5.5) 7H046LB4

TEMWELL CORPORATION

Performance-TF69275E3-452.5M

20106052DB

▶1: S11 Refl Port1 Log Mag 5.0 dB/ Ref 0.00 dB C
 ▶2: S21 Fwd Trans Log Mag 10.0 dB/ Ref 0.00 dB C



Meas1: Mkr1 452.500 MHz
 -22.106 dB
 Meas2: Mkr1 452.500 MHz
 -3.525 dB

Center 452.500 MHz

Span 60.000 MHz

1: Mkr (MHz)	dB	2: Mkr (MHz)	dB
1> 452.5000	-22.106	1> 452.5000	-3.525
2: 445.4000	-10.545	2: 445.4000	-6.588
3: 459.2400	-11.733	3: 459.2400	-6.540
4: 422.5000	-0.495	4: 422.5000	-61.115
5: 482.5000	-0.311	5: 482.5000	-57.279