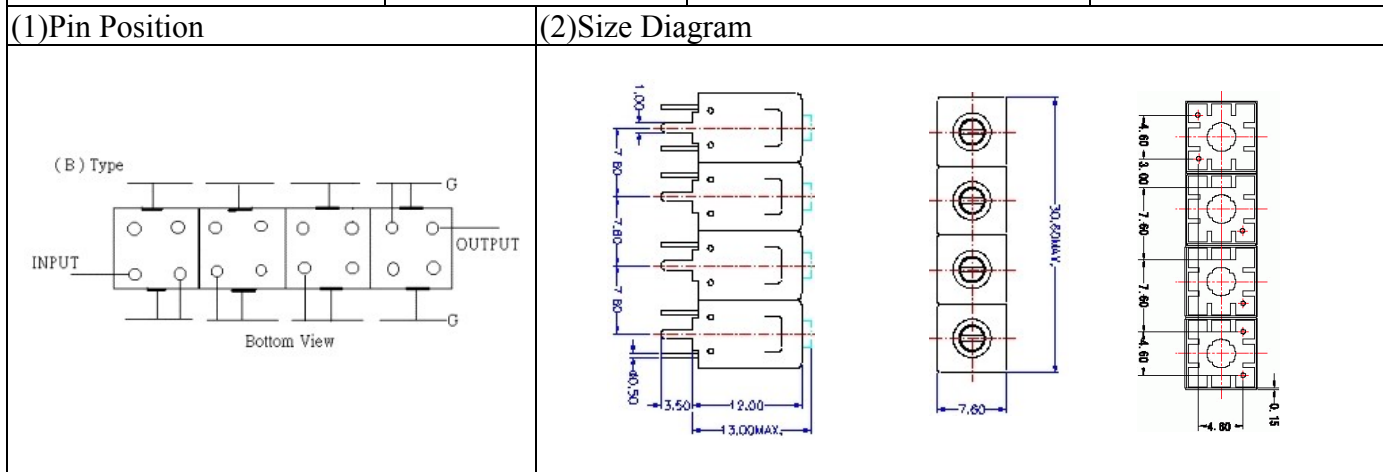


VHF UHF Helical Filter Specification Sheet

Customer Name		Temwell's Part No.	TF69285B-173M
Approval No. /dated	0606079APR	Acceptable Fo Specify Range	166-195MHz
Work Instruction No.	0606079DB	Date	Jul.10.2006



(3) Electric Characteristic

Item	Specify	Performance	
Center Freq.(Fo) +/- 0.5 %	173 MHz	173 MHz	
Insertion Loss	Typ. 3.0 dB	2.25 dB	
-3 dB Bandwidth	Typ. 10 MHz	11.6 MHz	
Sensitivity (Attenuation)	Fo - 10 MHz	Typ. 22 dBc	25 dBc
	Fo + 10 MHz	Typ. 15 dBc	18 dBc
	Fo - ()MHz	Typ. dBc	dBc
	Fo +()MHz	Typ. dBc	dBc
Return Loss	Min. 12 dB	32.8 dB	
Ripple	< 1 dB	dB	
Impedance	In / Out : 50 Ω	In / Out : 50 Ω	

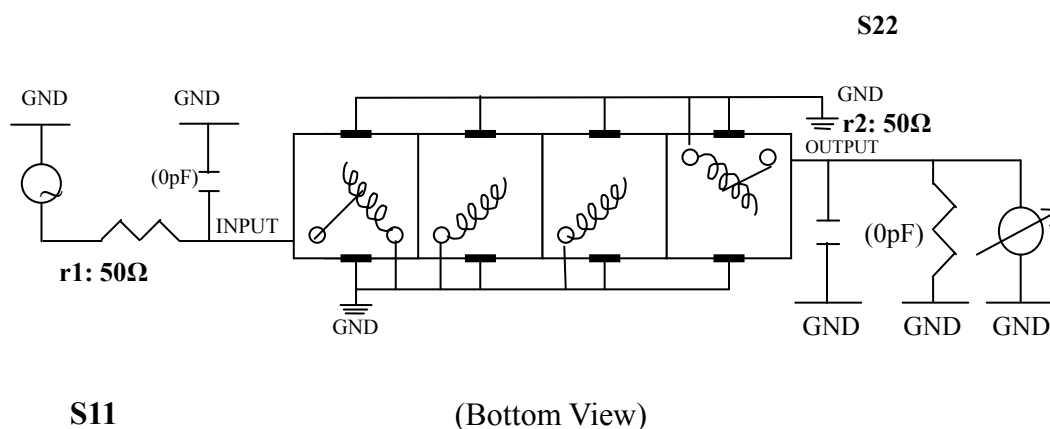
(4) Torque for Tuning Screw > 100gf · cm

(5) Temperature Condition:

Operating Temperature	0°C ~ +60°C
Storage Temperature	-20°C ~ +70°C

(6) Input Power > 1Watt

(7) Measuring Circuit: ※Easy to match Impedance S11/S22 50Ω by parallel with about(0 pF) / (0 pF).



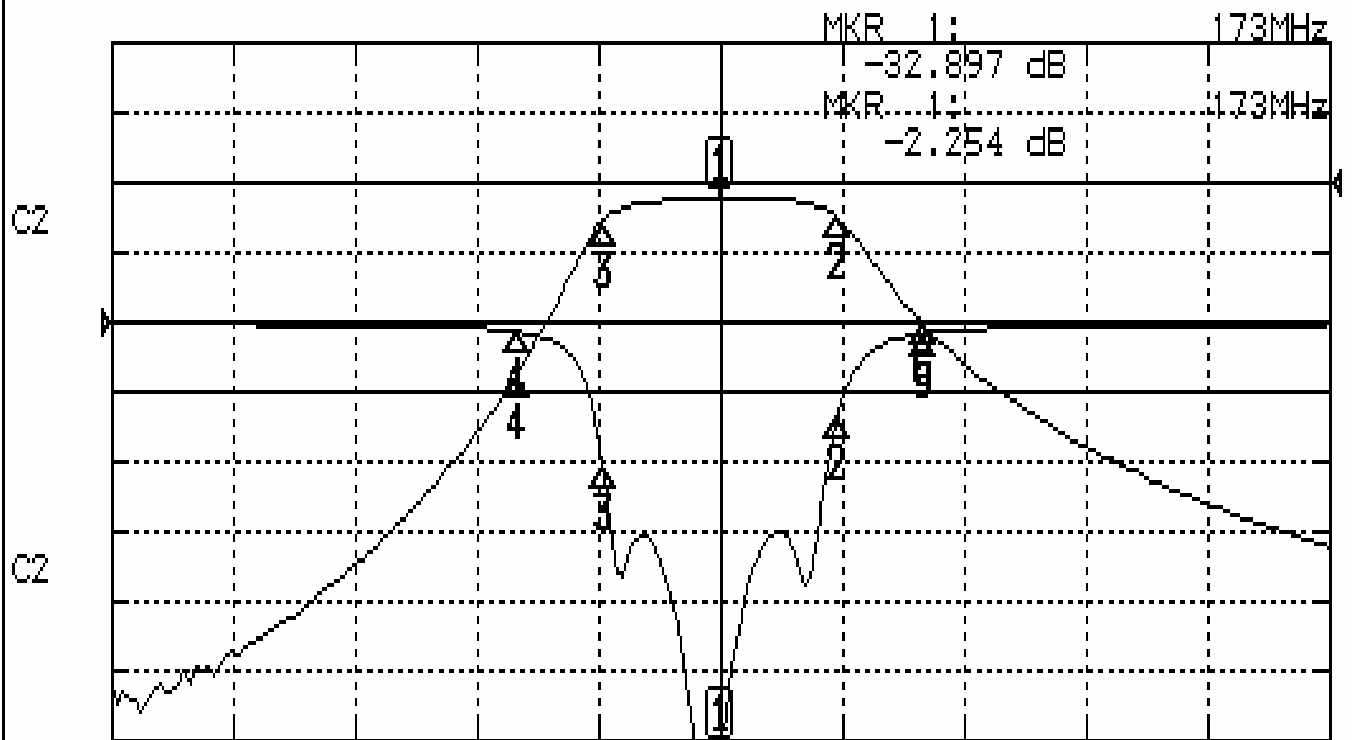
Approval	Supervisor	Designer	Aperture size
C.Y.Chang	C.S.Chang	C.S.Chang	7H4(4*7.5)(7.59) 7H024RB4

TEMWELL CORPORATION

Performance-TF69285B-173M

0606079DB

CH1 S11 LOG MAG REF 0.000 dB 5.000 dB/
CH2 S21 LOG MAG REF 0.000 dB 10.000 dB/



CENTER 173MHz

[10.00 dBm]

SPAN 60MHz

CH1 MARKER LIST

1:	173.000MHz	-32.897 dB
2:	178.800MHz	-6.795 dB
3:	167.250MHz	-10.353 dB
4:	163.000MHz	-0.669 dB
5:	183.000MHz	-0.779 dB

CH2 MARKER LIST

1:	173.000MHz	-2.253 dB
2:	178.800MHz	-5.209 dB
3:	167.250MHz	-5.253 dB
4:	163.000MHz	-27.302 dB
5:	183.000MHz	-20.268 dB