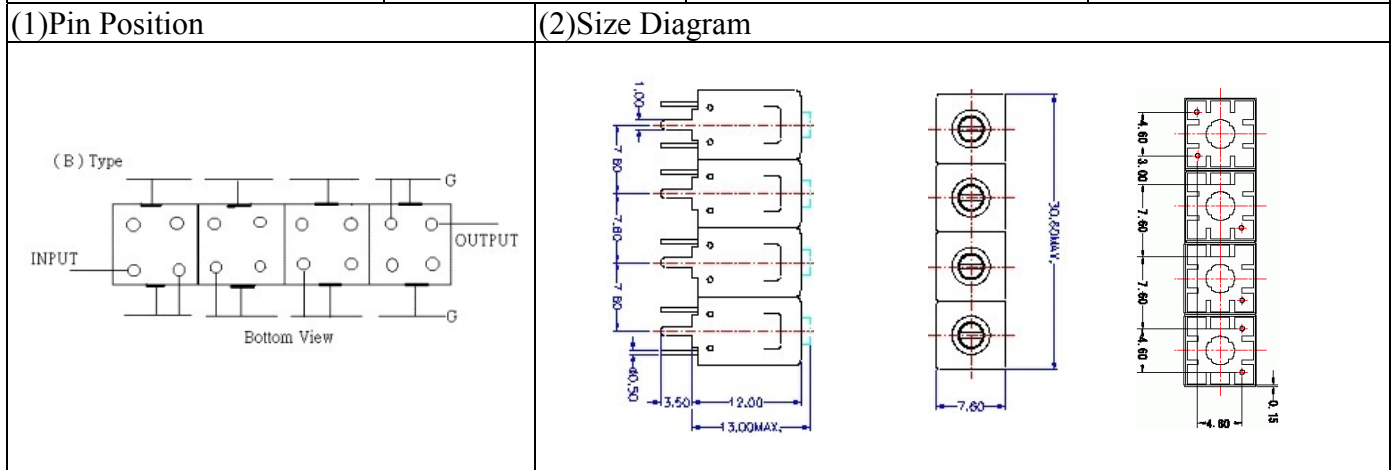


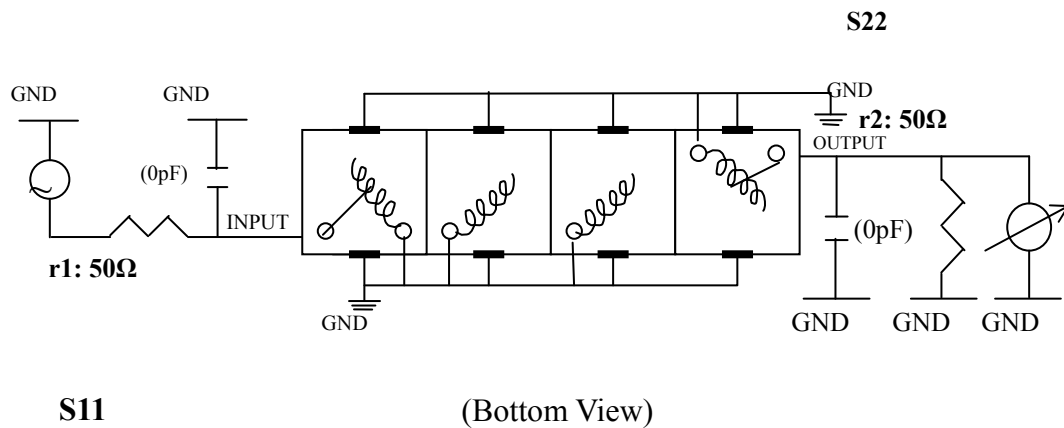
VHF UHF Helical Filter Specification Sheet

Customer Name		Temwell's Part No.	TF69299B-470M
Approval No. /dated	0901087CD	Temwell's Print Name	69299B 470M
Work Instruction No.	200901087CD	Date	Feb.16.2009



(3) Electric Characteristic			
Item		Specify	Performance
Center Freq.(Fo) +/- 0.5 %		470 MHz	470 MHz
Insertion Loss		Typ. 2.5 dB	1.39 dB
-3 dB Bandwidth		Typ. 36 MHz	41.3 MHz
Sensitivity (Attenuation)	Fo - 50 MHz	Typ. 37 dBc	40 dBc
	Fo + 50 MHz	Typ. 26 dBc	29 dBc
	Fo - ()MHz	Typ. dBc	dBc
	Fo +()MHz	Typ. dBc	dBc
Return Loss		Min. 12 dB	23.1 dB
Ripple		< 1 dB	dB
Impedance		In / Out : 50 Ω	In / Out : 50 Ω
(4) Torque for Tuning Screw		> 100gf · cm	
(5) Temperature Condition:			
Operating Temperature		0°C ~ +60°C	
Storage Temperature		-20°C ~ +70°C	
(6) Input Power		> 1Watt	

(7) Measuring Circuit: ※Easy to match Impedance S11/S22 50Ω/ by parallel with about(0pF) / (0 pF).



Approval	Supervisor	Designer	Aperture size
C.Y.Chang	C.S.Chang	C.S.Chang	7H4(4*6.5F)(6.61) (7H024LB6.5)

TEMWELL CORPORATION

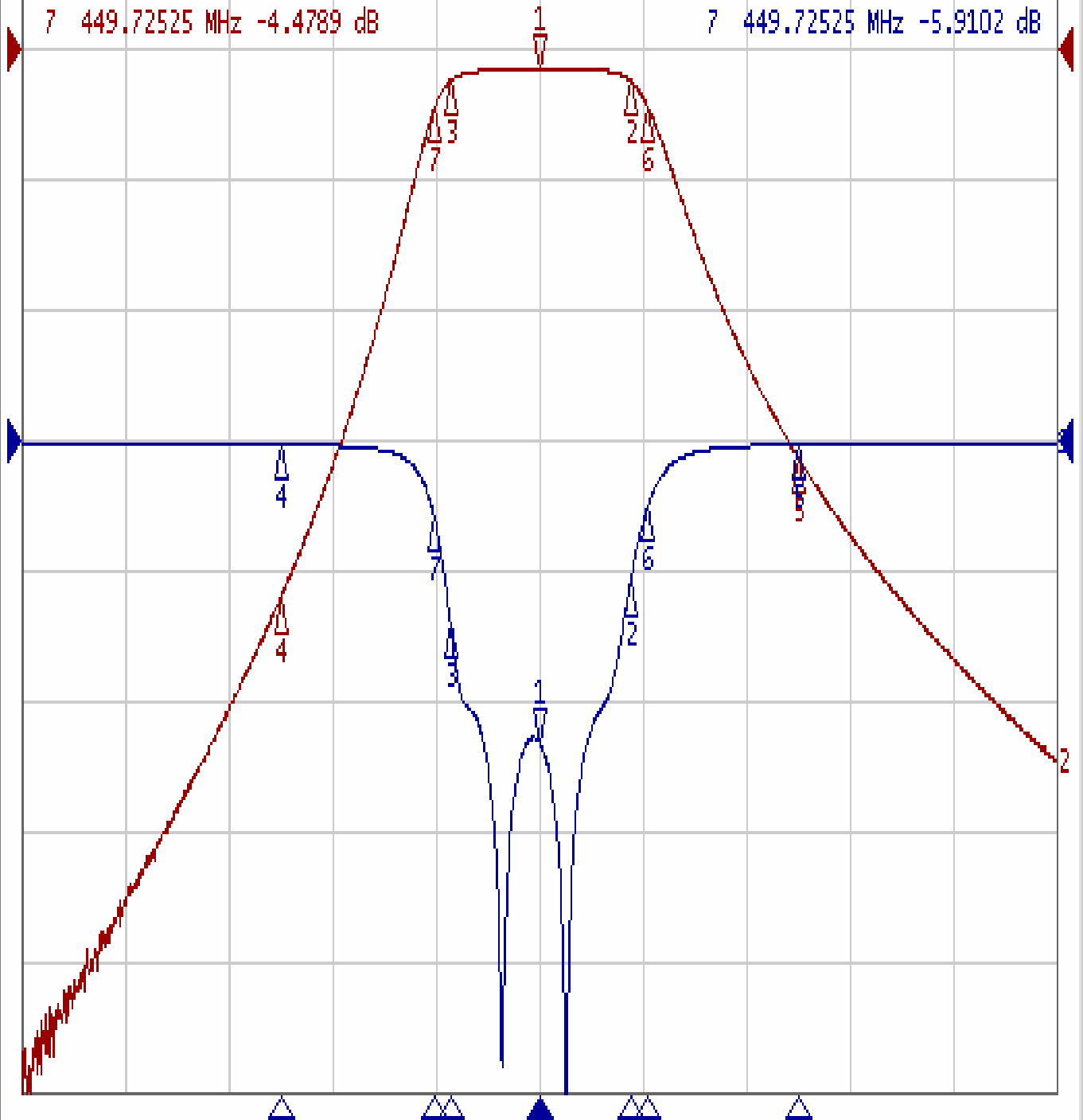
Performance-TF69299B-470M

200901087CD

▶ Tr1 S11 Log Mag 10.00dB/ Ref 0.000dB [F3]
Tr2 S21 Log Mag 10.00dB/ Ref 0.000dB [F3]

1	470.00000 MHz	-1.3982 dB
2	487.67350 MHz	-2.4033 dB
3	452.85175 MHz	-2.3602 dB
4	420.00000 MHz	-42.123 dB
5	520.00000 MHz	-31.260 dB
6	491.01200 MHz	-4.4037 dB
7	449.72525 MHz	-4.4789 dB

>1	470.00000 MHz	-23.145 dB
2	487.67350 MHz	-10.774 dB
3	452.85175 MHz	-14.030 dB
4	420.00000 MHz	-0.2558 dB
5	520.00000 MHz	-0.2915 dB
6	491.01200 MHz	-5.0221 dB
7	449.72525 MHz	-5.9102 dB



1 Center 470 MHz

IFBW 10 kHz

Span 200 MHz

