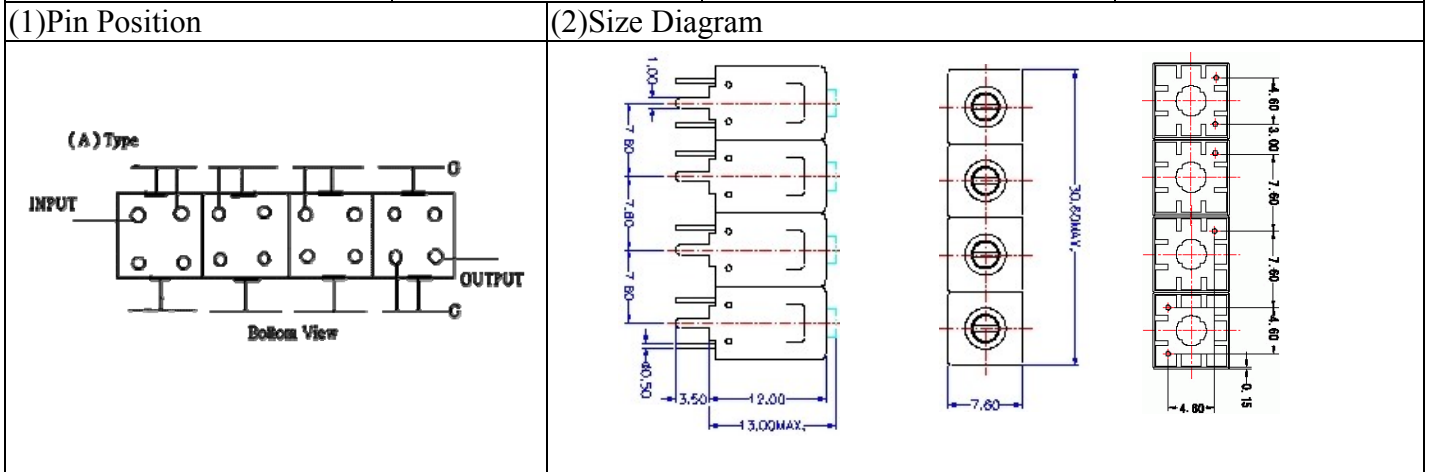
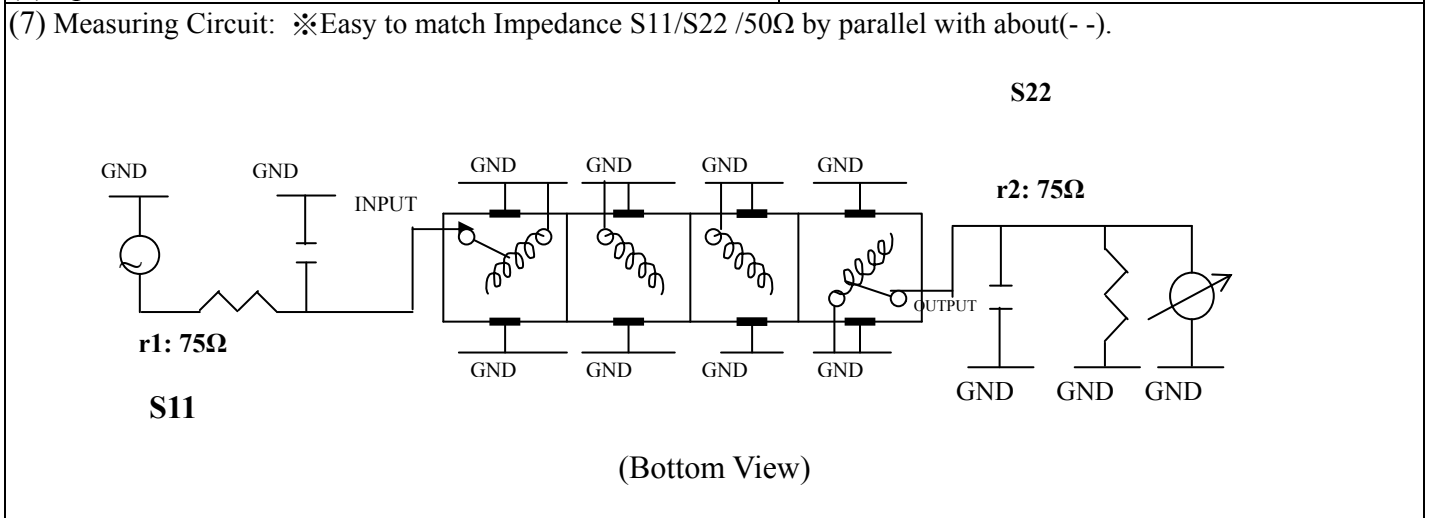


VHF UHF Helical Filter Specification Sheet

Customer Name		Temwell's Part No.	TF69300A-90M
Approval No. /dated	201701038CD	Temwell's Print Name	69300A 90M
Work Instruction No.	201701038CD	Date	Feb.09.2017



(3) Electric Characteristic					
Item		Specify		Performance	
Center Freq.(Fo) +/- 0.5 %		90 MHz		90 MHz	
Insertion Loss		Typ.	3.0 dB	2.63 dB	
-3 dB Bandwidth		Typ.	10 MHz	12.7 MHz	
Sensitivity (Attenuation)	Fo - 50 MHz	Typ.	65 dBc	73 dBc	
	Fo + 50 MHz	Typ.	70 dBc	81 dBc	
	Fo - ()MHz	Typ.	dBc	dBc	
	Fo +()MHz	Typ.	dBc	dBc	
Return Loss		Min.	12 dB	35.2 dB	
Ripple		< 1 dB		dB	
Impedance		In / Out : 50 Ω		In / Out : 50 Ω	
(4) Torque for Tuning Screw		> 60gf • cm			
(5) Temperature Condition:					
Operating Temperature		0°C ~ +60°C			
Storage Temperature		-20°C ~ +70°C			
(6) Input Power		> 1Watt			



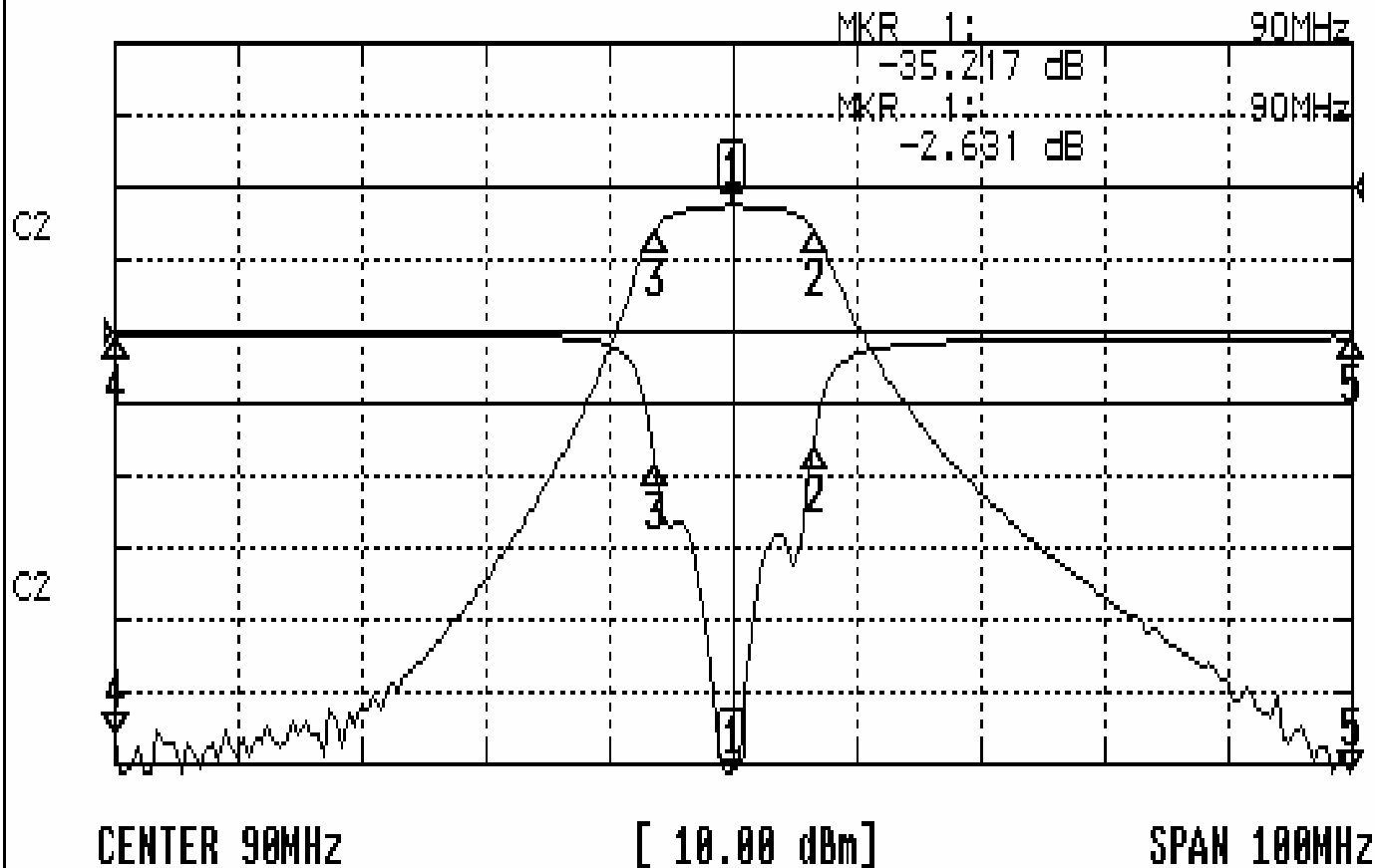
Approval	Supervisor	Designer	Aperture size
C.Y.Chang	C.K.Chang	C.H.Yeh	7H4S(4*5.5)(5.53) 7H00LB6

TEMWELL CORPORATION

Performance-TF69300A-90M

201701038CD

CH1 S11 LOG MAG REF 0.000 dB 5.000 dB/
CH2 S21 LOG MAG REF 0.000 dB 10.000 dB/



CH1 MARKER LIST

1:	90.000MHz	-35.217 dB
2:	96.500MHz	-7.915 dB
3:	83.780MHz	-9.271 dB
4:	40.000MHz	-0.199 dB
5:	140.000MHz	-0.440 dB

10:

CH2 MARKER LIST

1:	90.000MHz	-2.631 dB
2:	96.500MHz	-15.704 dB
3:	83.780MHz	-15.674 dB
4:	40.000MHz	-76.156 dB
5:	140.000MHz	-84.278 dB

10: