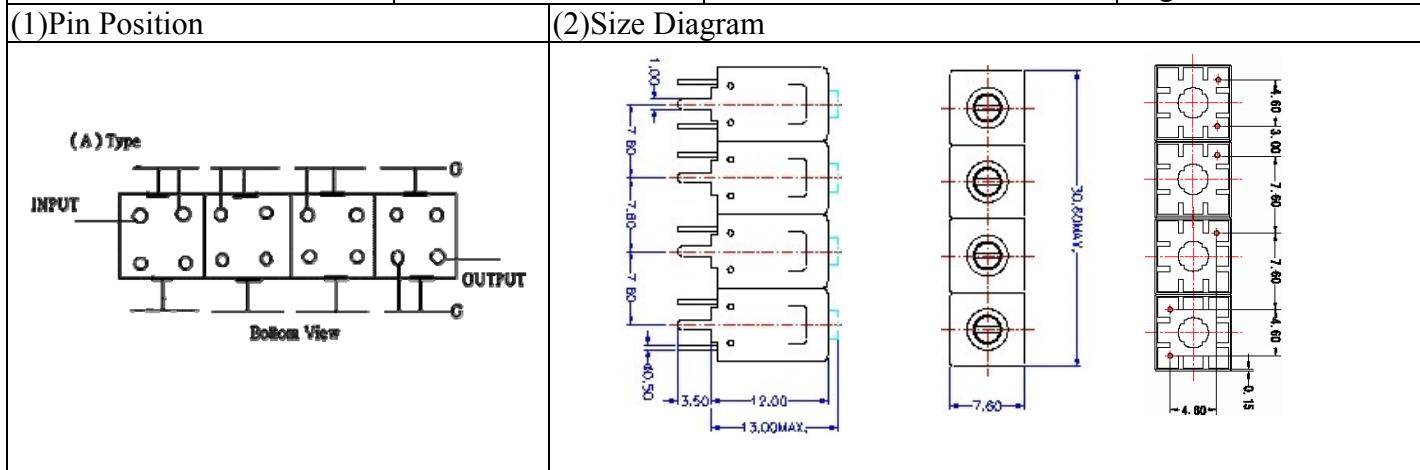


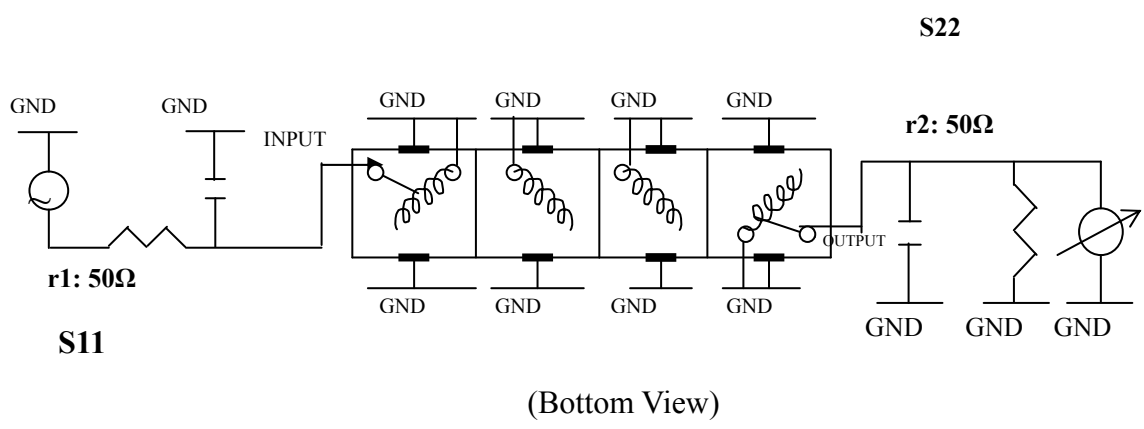
VHF UHF Helical Filter Specification Sheet

Customer Name		Temwell's Part No.	TF69306A-815M
Approval No. /dated	201708066CD	Temwell's Print Name	69306A 815M
Work Instruction No.	201708066CD	Date	Aug.30.2017



(3) Electric Characteristic			
Item	Specify	Performance	
Center Freq.(Fo) +/- 0.5 %	815 MHz	815 MHz	
Insertion Loss	Typ. 2.5 dB	1.76 dB	
-3 dB Bandwidth	Typ. 42 MHz	49.1 MHz	
Sensitivity (Attenuation)	Fo - 50 MHz	Typ. 34 dBc	39 dBc
	Fo + 50 MHz	Typ. 21 dBc	26 dBc
	Fo - ()MHz	Typ. dBc	dBc
	Fo + ()MHz	Typ. dBc	dBc
Return Loss	Min. 12 dB	20.5 dB	
Ripple	< 1 dB	dB	
Impedance	In / Out : 50 Ω	In / Out : 50 Ω	
(4) Torque for Tuning Screw		> 60gf · cm	
(5) Temperature Condition:			
Operating Temperature	0°C ~ +60°C		
Storage Temperature	-20°C ~ +70°C		
(6) Input Power		> 1Watt	

(7) Measuring Circuit: ※Easy to match Impedance S11/S22 /50Ω by parallel with about(- -).



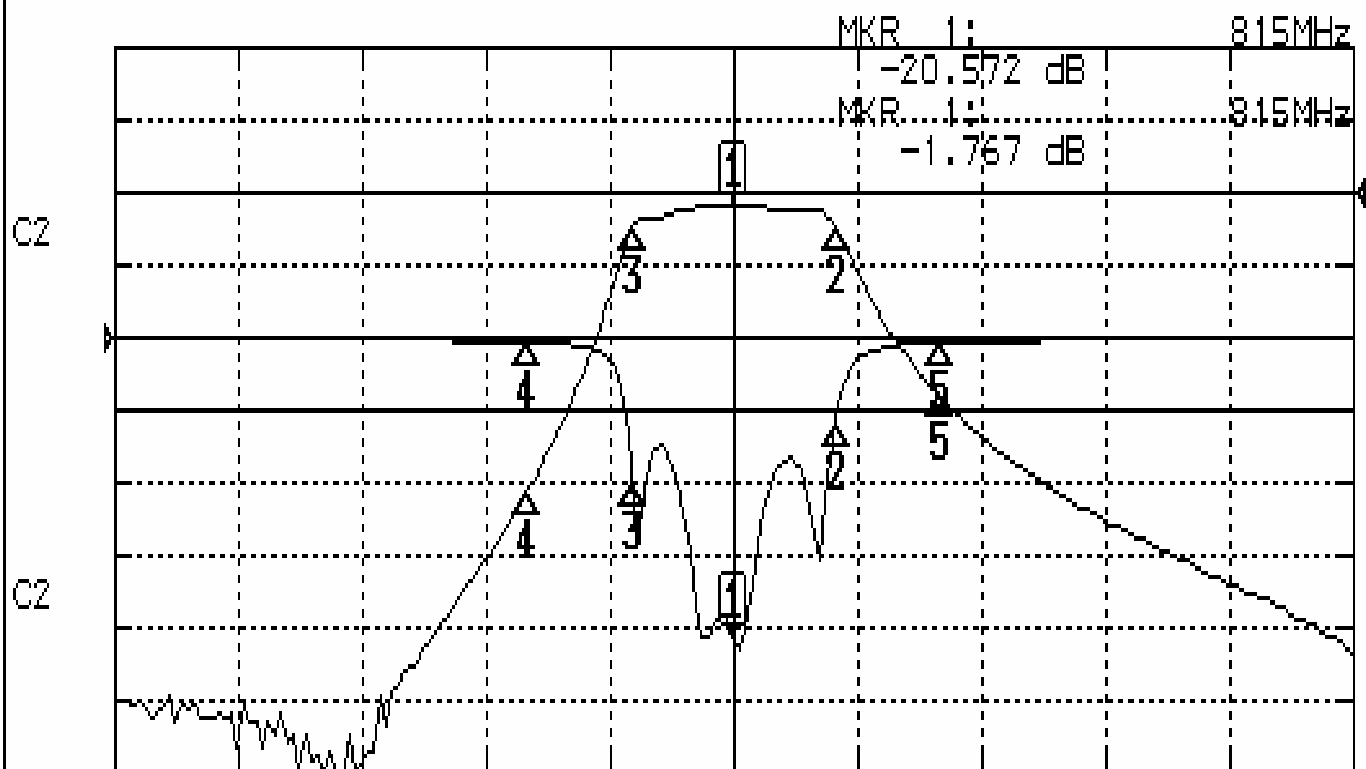
Approval C.Y.Chang	Supervisor C.K.Chang	Designer C.H.Yeh	Aperture size 7H4S(4*8.0)(8.06) (中 7H046LB4.3 聚 3) (左 7H046LB4.5 聚 2)
-----------------------	-------------------------	---------------------	--

TEMWELL CORPORATION

Performance-TF69306A-815M

201708066CD

CH1 S11 LOG MAG REF 0.000 dB 5.000 dB/
CH2 S21 LOG MAG REF 0.000 dB 10.000 dB/



CENTER 815MHz

[10.00 dBm]

SPAN 300MHz

CH1 MARKER LIST

1:	815.000MHz	-20.572	dB
2:	839.670MHz	-5.999	dB
3:	790.500MHz	-10.214	dB
4:	765.000MHz	-0.256	dB
5:	865.000MHz	-0.238	dB
6:			
7:			
8:			
9:			
10:			

CH2 MARKER LIST

1:	815.000MHz	-1.767	dB
2:	839.670MHz	-4.786	dB
3:	790.500MHz	-4.797	dB
4:	765.000MHz	-41.342	dB
5:	865.000MHz	-28.143	dB
6:			
7:			
8:			
9:			
10:			