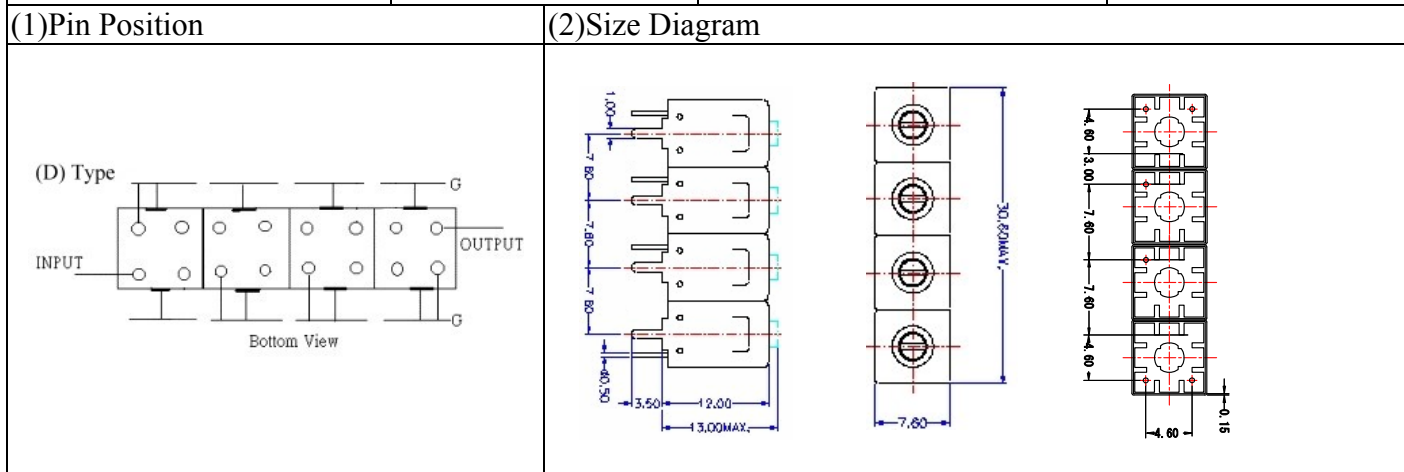


VHF UHF Helical Filter Specification Sheet

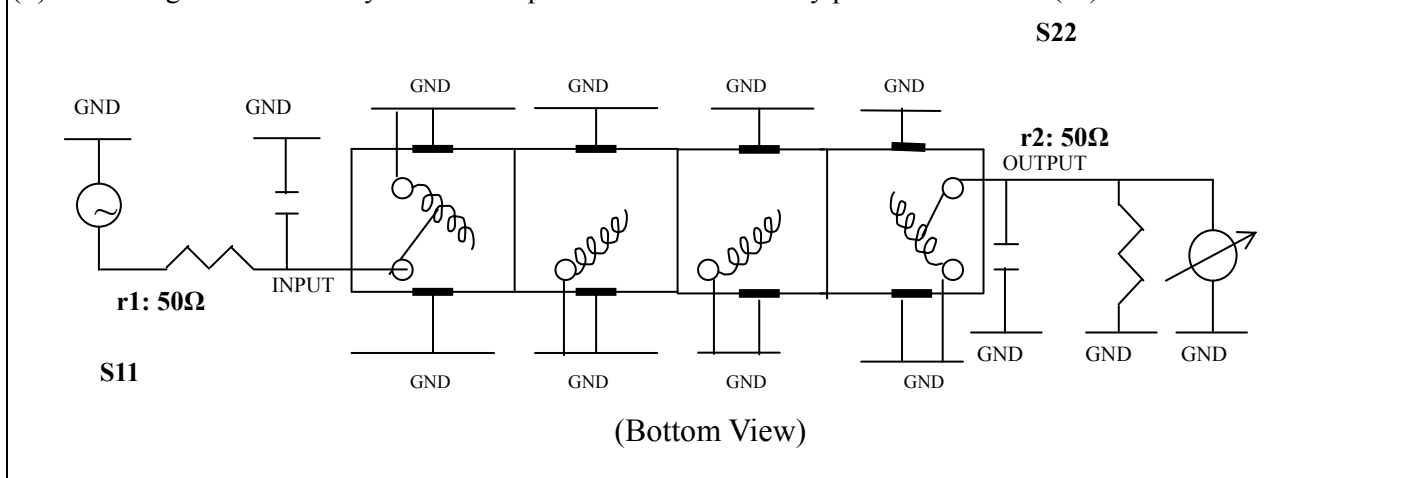
| | | | |
|----------------------|-------------|-----------------------|-----------------|
| Customer Name | | Temwell's Part No. | TF69317D1-250M |
| Approval No. /dated | 201702018CD | Customer's Print Name | 69317D1 250M |
| Work Instruction No. | 201702018CD | Date | Mar.01.2017 |



(3) Electric Chararistic

| Item | Specify | Performance |
|------------------------------|-----------------|-----------------|
| Center Freq.(Fo) +/- 0.5 % | 250 MHz | 250 MHz |
| Insertion Loss | Typ 4.0 dB | 3.21 dB |
| -3 dB Bandwidth | Typ. 5 MHz | 10.0 MHz |
| Sensitivity (Attenuation) | Fo -50 MHz | Typ. 70 dBc |
| | Fo +50 MHz | Typ. 65 dBc |
| | Fo - ()MHz | Typ. dBc |
| | Fo +()MHz | Typ. dBc |
| Return Loss | Min. 12 dB | 21.2 dB |
| Ripple | < 1 dB | dB |
| Impedance | In / Out : 50 Ω | In / Out : 50 Ω |
| (4) Torque for Tuning Screw | > 60gf · cm | |
| (5) Temperature Condition: | | |
| Operating Temperature | 0°C ~ +60°C | |
| Storage Temperature | -20°C ~ +70°C | |
| (6) Input Power | > 1Watt | |

(7) Measuring Circuit: ※Easy to match Impedance S11/S22 50Ω by parallel with about(- -).

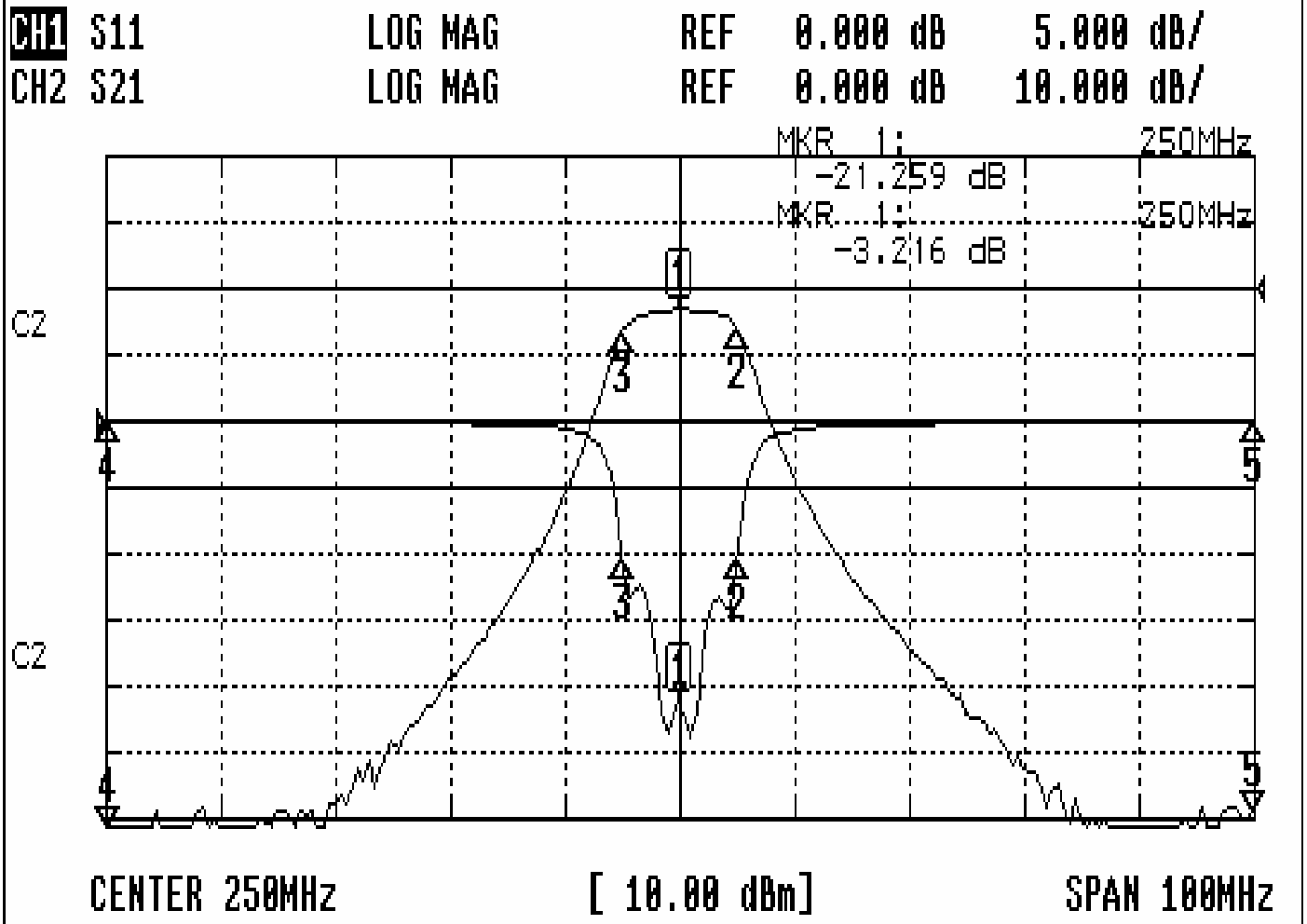


| | | | |
|-----------|------------|----------|-------------------------------|
| Approval | Supervisor | Designer | Aperture size |
| C.Y.Chang | C.S.Chang | Y.C.Kuo | 7H4S(4*5.5)(5.58) 7H024RB4 |

TEMWELL CORPORATION

Performance-TF69317D1-250M

201702018CD



CH1 MARKER LIST

| | | | |
|----|------------|---------|----|
| 1: | 250.000MHz | -21.259 | dB |
| 2: | 255.110MHz | -9.959 | dB |
| 3: | 245.068MHz | -10.459 | dB |
| 4: | 200.000MHz | -0.050 | dB |
| 5: | 300.000MHz | -0.069 | dB |

CH2 MARKER LIST

| | | | |
|----|------------|---------|----|
| 1: | 250.000MHz | -3.216 | dB |
| 2: | 255.110MHz | -6.252 | dB |
| 3: | 245.068MHz | -6.217 | dB |
| 4: | 200.000MHz | -86.961 | dB |
| 5: | 300.000MHz | -80.543 | dB |