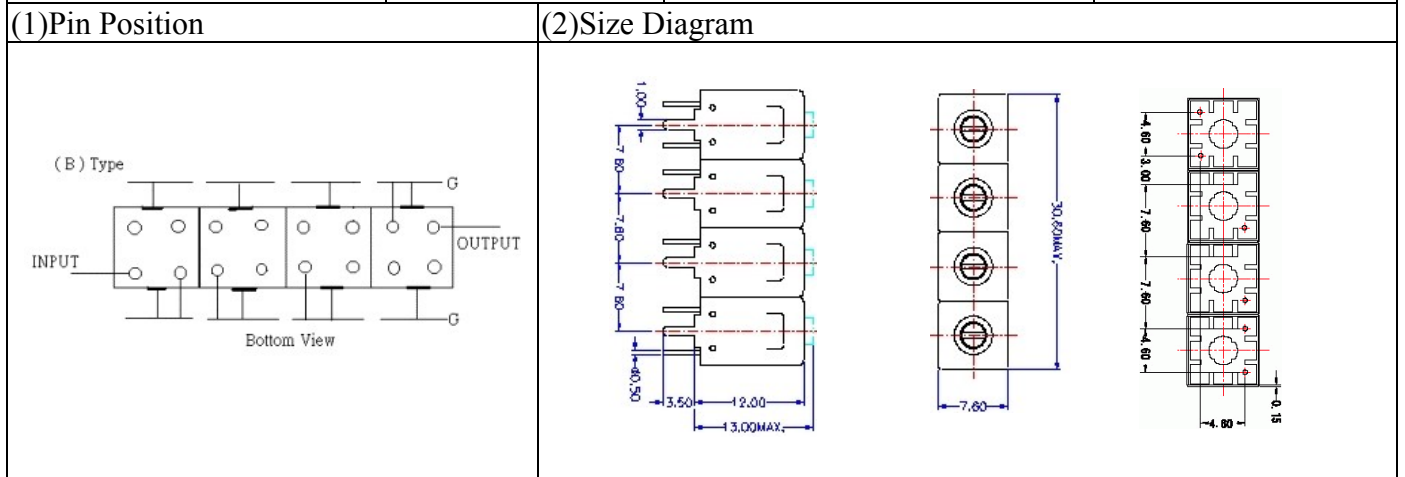


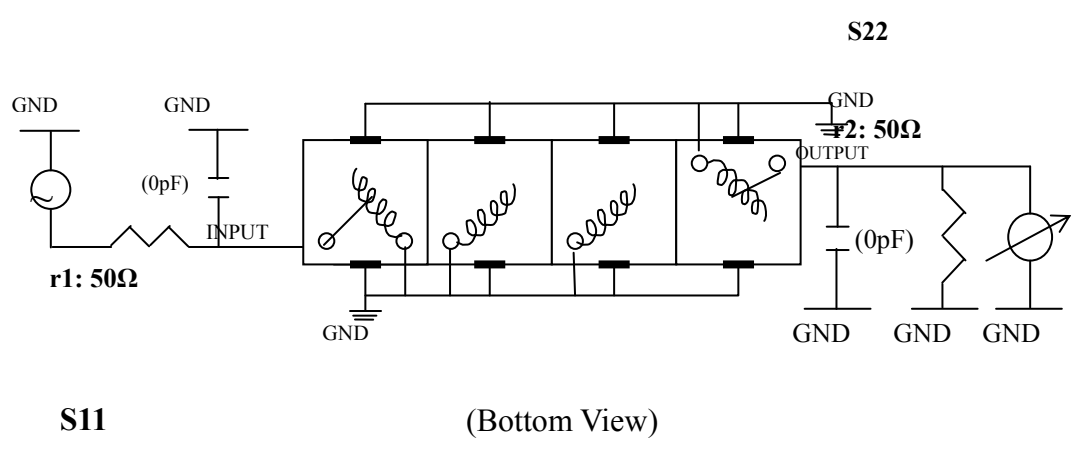
VHF UHF Helical Filter Specification Sheet

Customer Name		Temwell's Part No.	TF69321B1-325M
Approval No. /dated	0712095APR	Acceptable Specify Fo Range	311~355MHz
Work Instruction No.	0712095CD	Date	Jan.16.2008



Item		Specify	Performance
Center Freq.(Fo) +/- 0.5 %		325 MHz	325 MHz
Insertion Loss		Typ. 4.0 dB	2.98 dB
-3 dB Bandwidth		Typ. 13 MHz	15.2 MHz
Sensitivity (Attenuation)	Fo - 20 MHz	Typ. 38 dBc	41 dBc
	Fo + 20 MHz	Typ. 26 dBc	29 dBc
	Fo - ()MHz	Typ. dBc	dBc
	Fo +()MHz	Typ. dBc	dBc
Return Loss		Min. 12 dB	27.6 dB
Ripple		< 1 dB	dB
Impedance		In / Out : 50 Ω	In / Out : 50 Ω
(4) Torque for Tuning Screw		> 100gf • cm	
(5) Temperature Condition:			
Operating Temperature		0°C ~ +60°C	
Storage Temperature		-20°C ~ +70°C	
(6) Input Power		> 1Watt	

(7) Measuring Circuit: ※Easy to match Impedance S11/S22 50Ω/ by parallel with about(0pF) / (0 pF).



Approval	Supervisor	Designer	Aperture size
C.Y.Chang	C.S.Chang	Y.H.Chuan	7H4(4*7.5)F 7H046LB4 聚 3

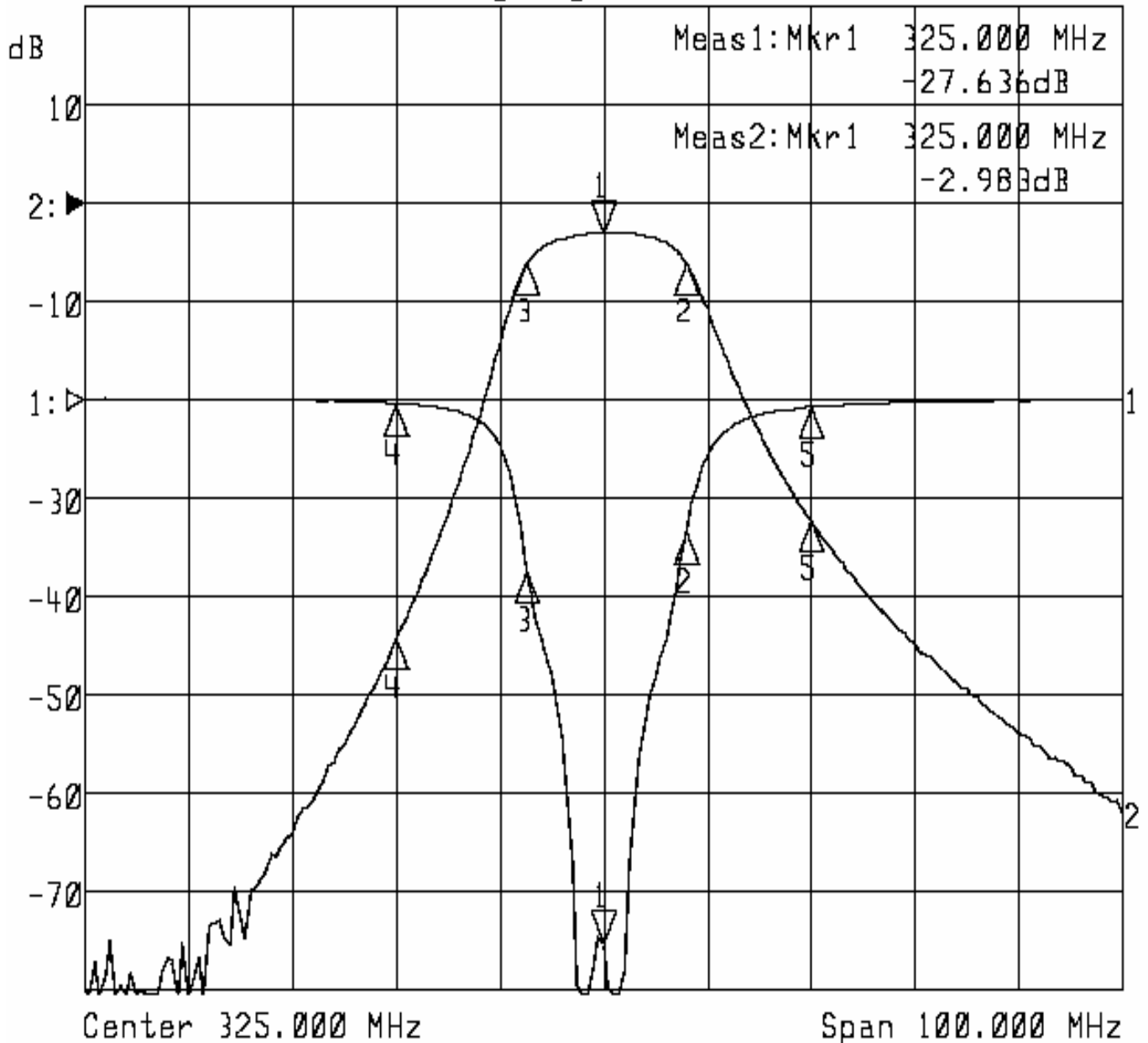
TEMWELL CORPORATION

Performance-TF69321B1-325M

0712095CD

▶1:S11 Refl Port1 Log Mag 5.0 dB/ Ref 0.00 dB C

▶2:S21 Fwd Trans Log Mag 10.0 dB/ Ref 0.00 dB C



1: Mkr (MHz)	dB	2: Mkr (MHz)	dB
1> 325.0000	-27.636	1> 325.0000	-2.983
2: 332.9333	-6.724	2: 332.9333	-5.991
3: 317.7000	-8.795	3: 317.7000	-5.949
4: 305.0000	-0.192	4: 305.0000	-44.373
5: 345.0000	-0.377	5: 345.0000	-32.339