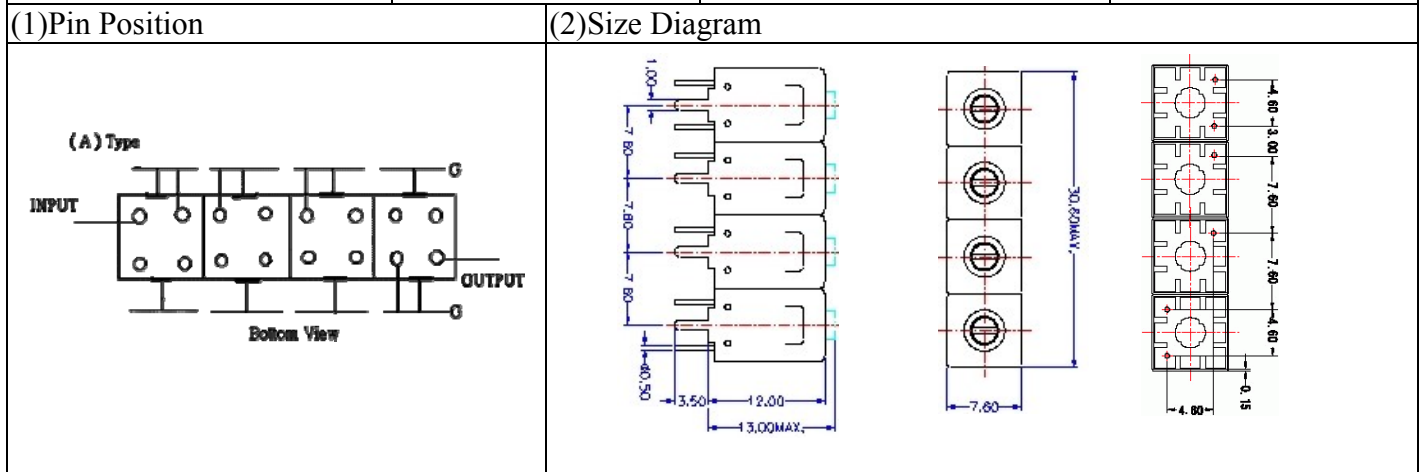


VHF UHF Helical Filter Specification Sheet

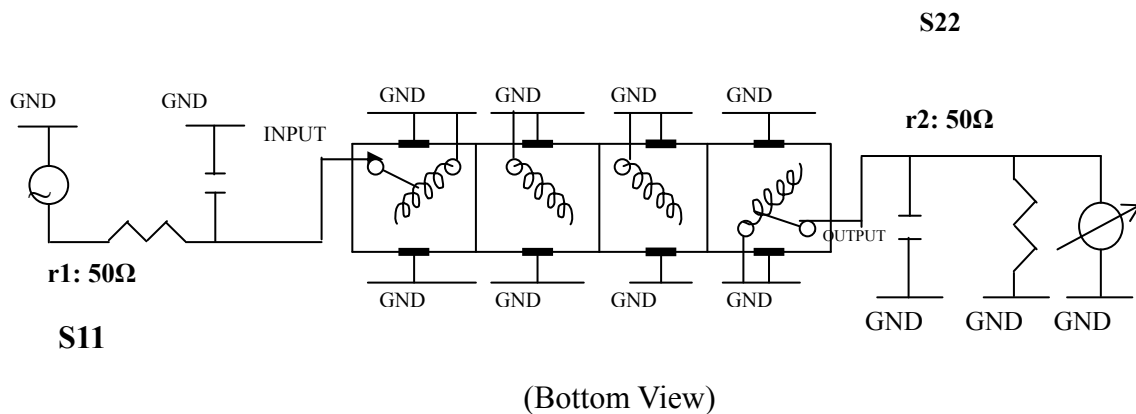
Customer Name		Temwell's Part No.	TF69334A-1025M
Approval No. /dated	201708105CD	Temwell's Print Name	69334A 1025M
Work Instruction No.	201708105CD	Date	Oct.31.2017



(3) Electric Characteristic

Item	Specify	Performance	
Center Freq.(Fo) +/- 0.5 %	1025 MHz	1025 MHz	
Insertion Loss	Typ. 5.0 dB	4.07 dB	
-3 dB Bandwidth	Typ. 20 MHz	28.6 MHz	
Sensitivity (Attenuation)	Fo - 50 MHz	Typ. 47 dBc	52 dBc
	Fo + 50 MHz	Typ. 32 dBc	37 dBc
	Fo - ()MHz	Typ. dBc	dBc
	Fo +()MHz	Typ. dBc	dBc
Return Loss	Min. 12 dB	24.8 dB	
Ripple	< 1 dB	dB	
Impedance	In / Out : 50 Ω	In / Out : 50 Ω	
(4) Torque for Tuning Screw	> 60gf • cm		
(5) Temperature Condition:			
Operating Temperature	0°C ~ +60°C		
Storage Temperature	-20°C ~ +70°C		
(6) Input Power	> 1 Watt		

(7) Measuring Circuit: ※Easy to match Impedance S11/S22 /50Ω by parallel with about(- -).



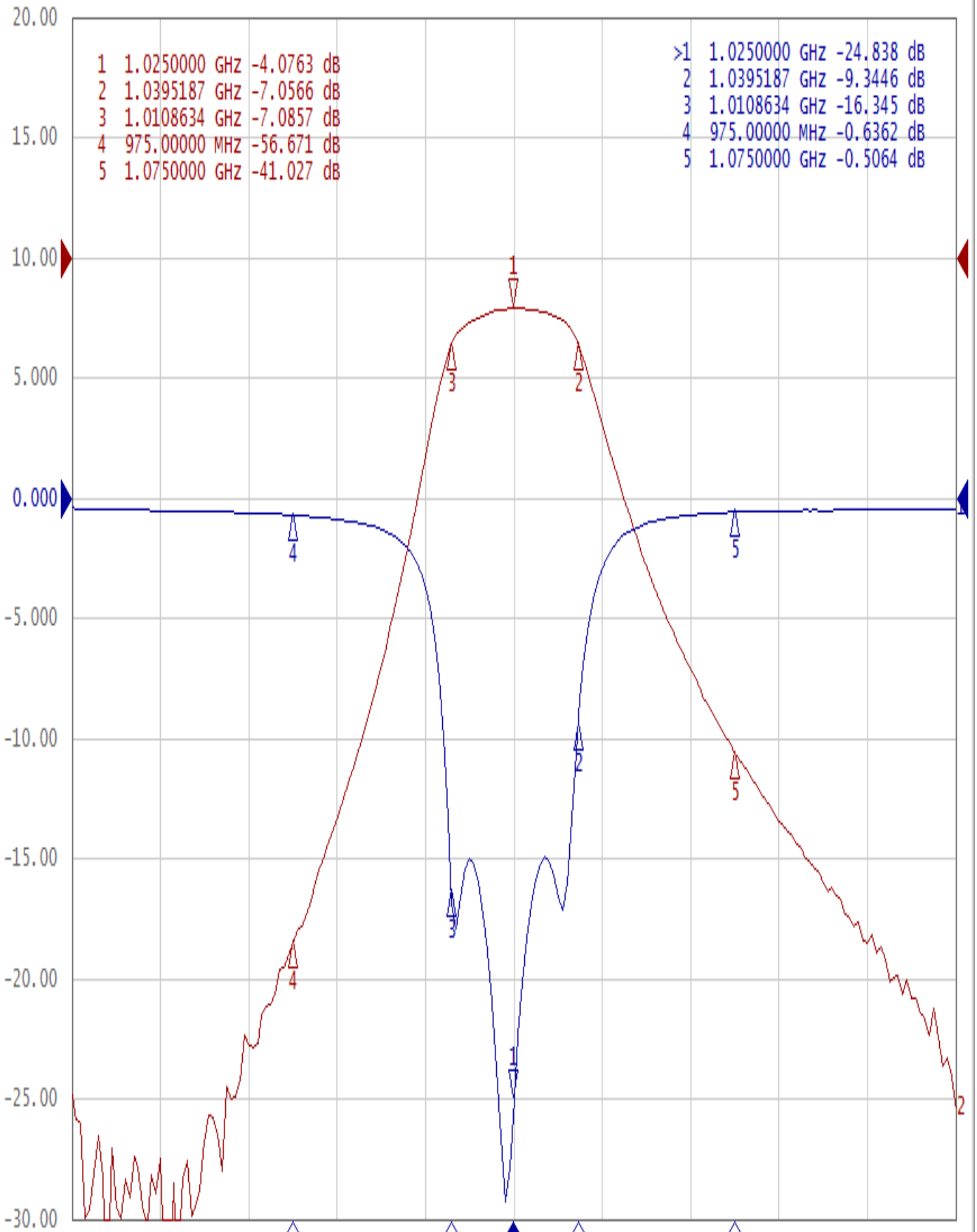
Approval	Supervisor	Designer	Aperture size
C.Y.Chang	C.K.Chang	C.S.Chang	7H4S(4*7.5)(7.58) 7H046LB4.3 聚 3

TEMWELL CORPORATION

Performance-TF69334A-1025M

201708105CD

Tr1 S11 Log Mag 5.000dB/ Ref 0.000dB [F2]
Tr2 S21 Log Mag 10.00dB/ Ref 0.000dB [F2]



1 Center 1.025 GHz

IFBW 70 kHz

Span 200 MHz Cor!